

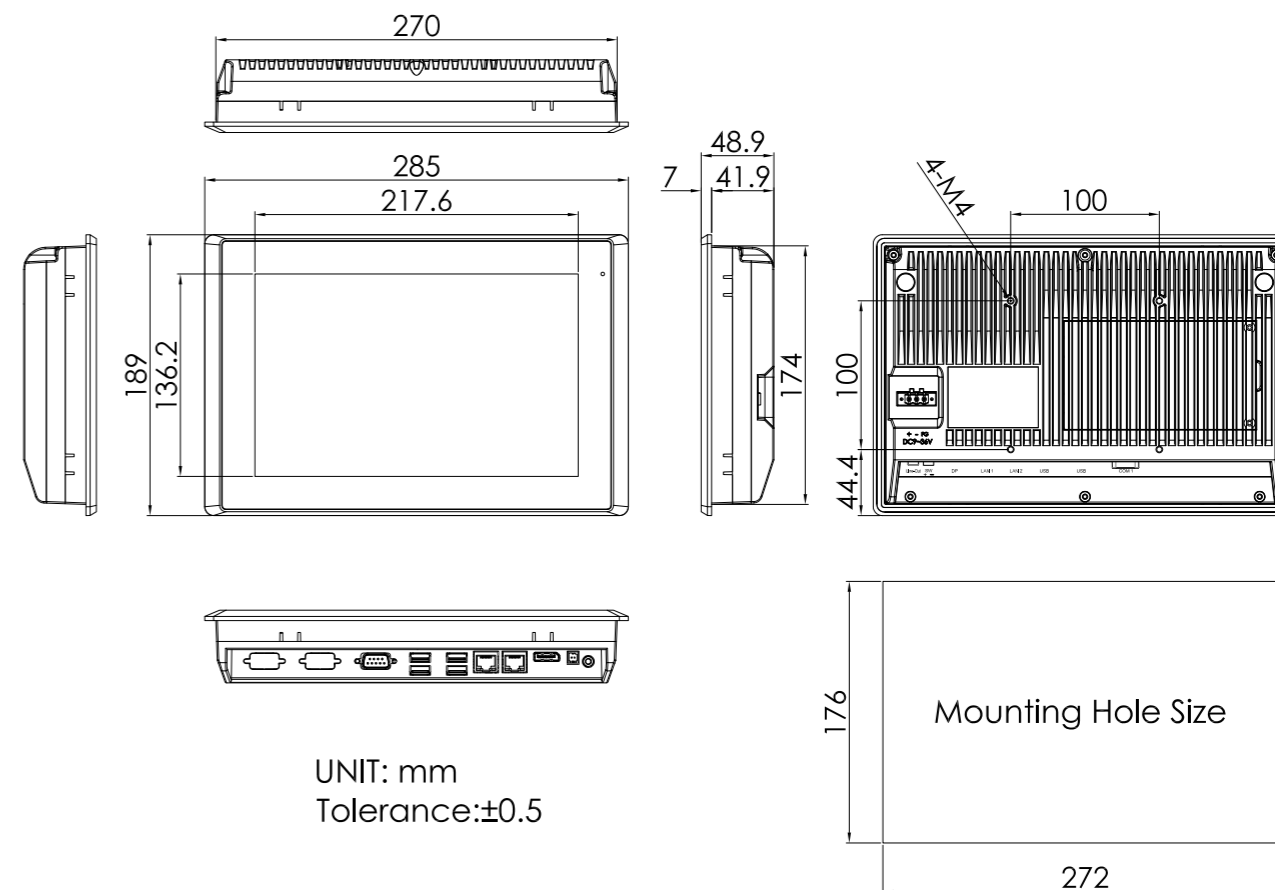
Features

- 10.1" Industrial Compact Size Panel PC
- Intel Celeron J6412 Processor
- 1 x 260-pin SO-DIMM DDR4 slot, up to 32GB 3200MHz
- Flat Front Panel Touch Screen with IP66 Front Bezel
- Support Expansion via Full-size Mini-PCIe and M.2 slots
- Support TPM2.0 Hardware Security
- DC 9~36V Wide Range Power Input
- High Brightness 1,000 nits for option

Specifications

| System | | |
|--------------------------------|--|--------------------------|
| CPU | Intel Celeron J6412 Processor (1.8GHz, 1.5MB L2 cache) | |
| System Chipset | SoC | |
| Memory | 1 x 260-pin SO-DIMM up to 32GB DDR4 3200MHz | |
| I/O Port | | |
| USB | 2 x USB 3.2 Gen2 type A 2 x USB 2.0 type A | |
| Serial / Parallel | 1 x RS-232/422/485 (Default RS-232; select via BIOS) | |
| Audio | 1 x Audio Line Out | |
| LAN | 2 x 2.5GbE LAN RJ-45 | |
| DP | 1 x DP, support DP++ | |
| Power | 1 x 3-pin Terminal Block Connector 1 x 2-pin Power Switch Connector | |
| Option | VESA Stand 4G LTE/WiFi/BT 4 x USB 2.0 type A (TB-528U4) 4 x USB 2.0 type A + 1 x Mini-PCIe + 1 x SIM slot (TB-528U4ME1) 2 x COM (RS-232) (TB-528C2) 1 x COM (RS-232) + 2 x USB 2.0 (TB-528C1U2) 1 x COM (RS-232) + 2 x USB 2.0 + 1 x Power Button (TB-528C1U2P1) 2 x COM (RS-232) + 1 x Mini-PCIe slot + 1 x SIM slot (TB-528C2ME1) 2 x COM (RS-422/485, isolated) (TB-528C2I) 2 x CAN (TB-528CAN2) 1 x LAN + 2 x USB 2.0 type A (TB-528E1U2) 1 x 2W Speaker 1 x Auto Dimming *TB-528 series, speaker only be in either one | |
| Storage Space | | |
| Storage | 1 x M.2 B-Key slot (Support SATA3; 2242/2280, Default 2242) | |
| Expansion | | |
| Onboard Expansion Bus | 1 x Mini-PCIe slot (full size) 1 x M.2 E-key 1 x Nano SIM Card Holder | |
| Display | | |
| | Standard | High Brightness Optional |
| Display Type | 10.1" TFT-LCD | 10.1" TFT-LCD |
| Max. Resolution | 1280 x 800 | 1280 x 800 |
| Max. Color | 16.7M | 16.2M |
| Luminance (cd/m ²) | 350 | 1000 |
| View Angle | 170(H) / 170(V) | 170(H) / 170(V) |
| Contrast | 800:1 | 1300:1 |
| Backlight Lifetime | 30,000 hrs | 50,000 hrs |
| Touch Screen | | |
| Type | Resistive Touch (for BR Model) Projected Capacitive Touch (for BP Model) | |
| Interface | USB | |
| Light Transmission(%) | Resistive Touch: 80% Projected Capacitive Touch: 90% | |

Dimensions



UNIT: mm
Tolerance:±0.5

| Power | |
|----------------------------|--|
| Power Input | DC 9~36V |
| Power Consumption | TBD |
| Mechanical | |
| Construction | Aluminum Die-casting Chassis |
| Mounting | Panel Mount, VESA 100 x 100 |
| Dimensions (WxHxD) | 285 x 189 x 48.9 mm |
| IP Rating | IP66 Compliant Front Bezel |
| Net Weight | TBD |
| Environmental | |
| Operating Temperature | 0~50°C / -20~60°C (option) |
| Storage Temperature | -30~70°C |
| Humidity | 10 to 95%@ 40°C, non-condensing |
| Certificate | Meet CE/FCC class A |
| Operating System Support | |
| Windows 10 IoT, Windows 11 | |
| Ordering Information | |
| ARCHMI-810BR | 10.1" WXGA fanless HMI barebone with Intel Celeron J6412 processor, 1 x DDR4 slot, Resistive touch screen, 9~36V DC input with adapter, Aluminum chassis. |
| ARCHMI-810BP | 10.1" WXGA fanless HMI barebone with Intel Celeron J6412 processor, 1 x DDR4 slot, Projected Capacitive touch,, 9~36V DC input with adapter, Aluminum chassis. |
| ARCHMI-810BR(H) | 10.1" high brightness WXGA fanless HMI barebone with Intel Celeron J6412 processor, 1 x DDR4 slot, Resistive touch screen, 9~36V DC input with adapter, Aluminum chassis. |
| ARCHMI-810BP(H) | 10.1" high brightness WXGA fanless HMI barebone with Intel Celeron J6412 processor, 1 x DDR4 slot, Projected Capacitive touch,, 9~36V DC input with adapter, Aluminum chassis. |