

**Features**

- 8" Industrial Compact Size Panel PC
- Intel Apollo Lake N4200/ N3350 (option)
- On Board 4GB/ 8GB DDR3L 1600MHz
- Flat Front Panel Touch Screen
- IP66 Compliant Front Panel
- Optional Projected Capacitive Touchscreen Support 7H Anti-scratch Surface
- DC 9~36V Wide-ranging Power Input
- High Brightness 1,000 nits for option

**Specifications**

System	
CPU	Intel Pentium N4200 Processor (2M Cache, 1.1GHz) / Celeron N3350 Processor (2M Cache, 1.1GHz)
System Chipset	SoC
Memory	Onboard 4GB DDR3L SDRAM, up to 8GB (option)

I/O Port	
USB	2 x USB 3.0 type A
Serial / Parallel	1 x RS-232/422/485 DB9 (COM1), default RS-232 1 x RS-232 DB9 (COM2)
Audio	1 x Audio Line Out
LAN	2 x GbE LAN RJ-45
Power	1 x 3-pin Terminal Block Connector 1 x 2-pin Power Switch connector
Option	VESA Stand 4G LTE/Wi-Fi/BT

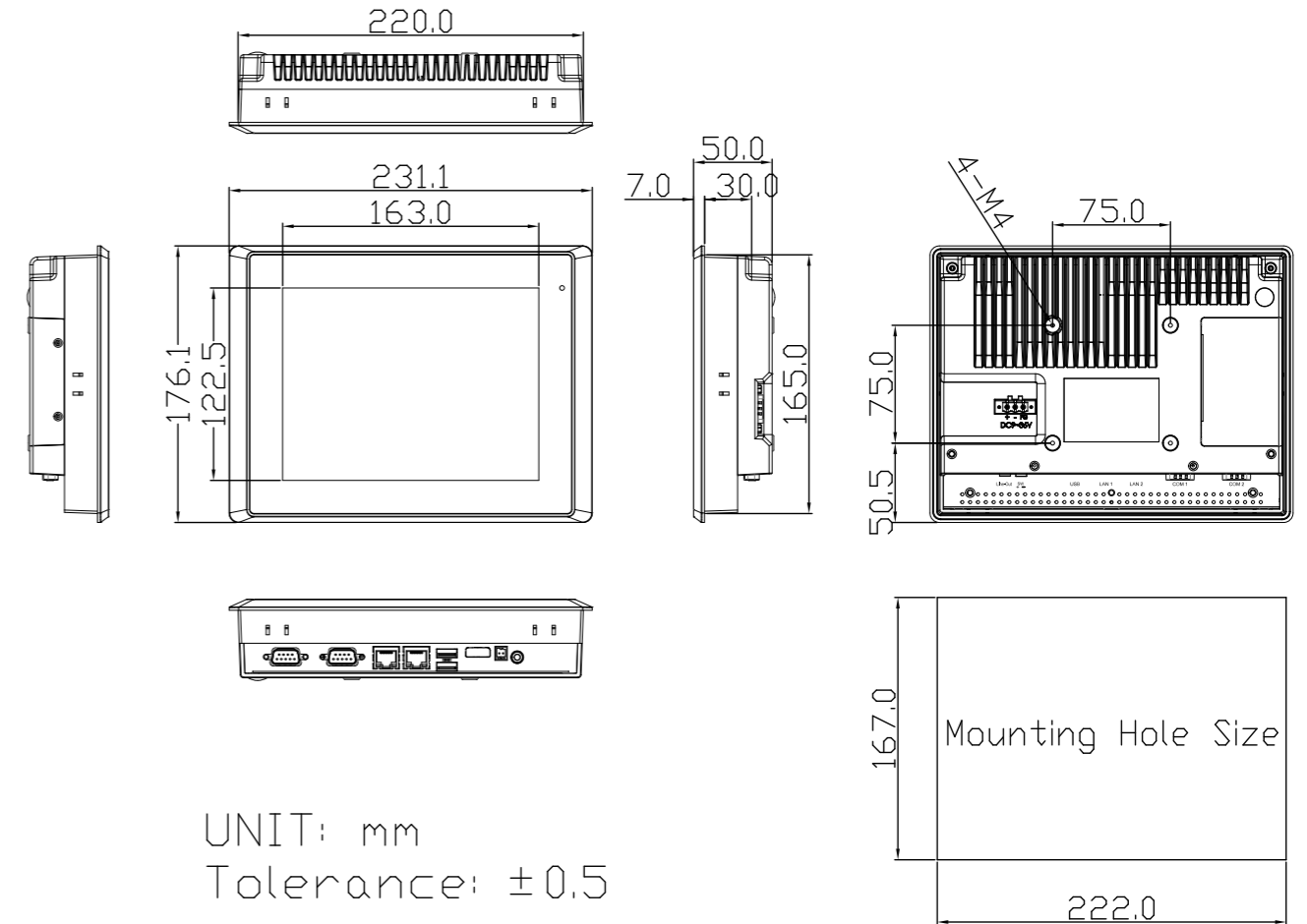
Storage Space	
HDD	1 x MO-297 SSD space
Movable Device	1 x Micro SD card slot

Expansion	
Onboard Expansion bus	1 x Mini-PCIe slot (full size) 1 x Micro SIM slot

Display	Standard	High Brightness Optional
Display Type	8" TFT-LCD	8" TFT-LCD
Max. Resolution	800 x 600	800 x 600
Max. Color	16.2M	16.2M
Luminance (cd/m <sup>2</sup> )	450	1000
View Angle	140(H) / 130(V)	140(H) / 130(V)
Contrast	500:1	500:1
Backlight Lifetime	40,000 hrs	20,000 hrs

Touch Screen	
Type	Resistive Touch (for AR Model) Projected Capacitive Touch (for AP Model)
Interface	USB
Light Transmission(%)	Resistive Touch: 80% Projected Capacitive Touch: 90%

**Dimensions**



Power	
Power Input	DC 9~36V
Power Consumption	ARCHMI-808AP: 28W

Mechanical	
Construction	Aluminum Die-casting Chassis
Mounting	Panel Mount, VESA 75 x 75
Dimensions (WxHxD)	231.1 x 176.1 x 50 mm
IP Rating	IP66 Compliant Front Bezel
Net Weight	1.9 kg

Environmental	
Operating Temperature	0~50°C / -20~60°C (option)
Storage Temperature	-30~70°C
Humidity	10 to 90%@ 40°C, non-condensing
Certificate	CE/FCC Class A/UL

Operating System Support	
Windows 10 IoT	