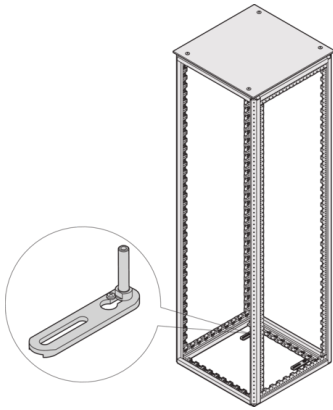


23130-386 VARISTAR TIP-OVER PROTECTION FOR FLOOR MOUNTING



KEY FEATURES

Height adjustable by integrated adjustable feet

For fixing to the floor

Assembly possible on frame or base/plinth

PRODUCT ATTRIBUTES

Product Type: Cabinet/Rack Base

Product Family: Varistar

Type: Tip-Over Protection

Material: Steel

Color: Black Grey

Color Code: RAL 7021

ADDITIONAL PRODUCT DETAILS

Tip-Over Protection helps make floor mounted enclosures stable and prevents tip overs due to load imbalance. The tip over protector can be assembled on the frame or the plinth.



North America

All locations
+1.763.422.2661
Chat with us:
schroff.nvent.com

Europe

Straubenhardt, Germany
+49.7082.794.0
Betschdorf, France
+33.3.88.90.64.90
Warsaw, Poland
+48.22.209.98.35
Assago, Italy
+39.02.932.7141
Chat with us:
schroff.nvent.com

Asia

Shanghai, China
+86.21.2412.6943
Qingdao, China
+86.532.8771.6101
Singapore
+65.6768.5800
Shin-Yokohama, Japan
+81.45.476.0271
Chat with us:
schroff.nvent.com

Middle East & India

Dubai, United Arab Emirates
+971.4.378.1700
Bangalore, India
+91.80.6715.2001
Istanbul, Turkey
+90.216.250.7374
Chat with us:
schroff.nvent.com



Our powerful portfolio of brands:
nVent.com **CADDY ERICO HOFFMAN RAYCHEM SCHROFF TRACER**