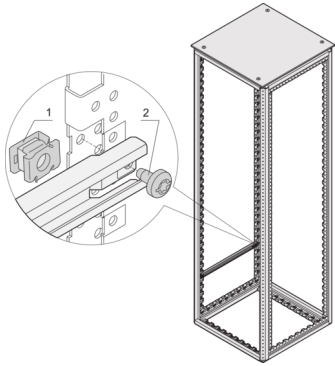


23130-141 VARISTAR ASSEMBLY KIT FOR MOUNTING ACCESSORIES DIRECTLY TO FRAME



KEY FEATURES

Mounting of components possible from the inside as well as from the outside

For direct assembly of 19" panel/slide mounts, depth members and other components on Varistar frame

Assembly by clipping in the cage nut into frame or depth member

Kit is required if rear panel with quick-release fastener is assembled above the connecting plate

PRODUCT ATTRIBUTES

Product Type: Assembly Kit

ADDITIONAL PRODUCT DETAILS

Assembly Kit for mounting Accessories directly on the Varistar Frame from the outside or inside.

CERTIFICATIONS



North America

All locations

+1.763.422.2661

Chat with us:

schroff.nvent.com

Europe

Straubenhardt, Germany

+49.7082.794.0

Betschdorf, France

+33.3.88.90.64.90

Warsaw, Poland

+48.22.209.98.35

Assago, Italy

+39.02.932.7141

Chat with us:

schroff.nvent.com

Asia

Shanghai, China

+86.21.2412.6943

Qingdao, China

+86.532.8771.6101

Singapore

+65.6768.5800

Shin-Yokohama, Japan

+81.45.476.0271

Chat with us:

schroff.nvent.com

Middle East & India

Dubai, United Arab Emirates

+971.4.378.1700

Bangalore, India

+91.80.6715.2001

Istanbul, Turkey

+90.216.250.7374

Chat with us:

schroff.nvent.com



Our powerful portfolio of brands:
nVent.com **CADDY ERICO HOFFMAN RAYCHEM SCHROFF TRACER**

© 2023 nVent. All nVent marks and logos are owned or licensed by nVent Services GmbH or its affiliates. All other trademarks are the property of their respective owners.

nVent reserves the right to change specifications without notice.