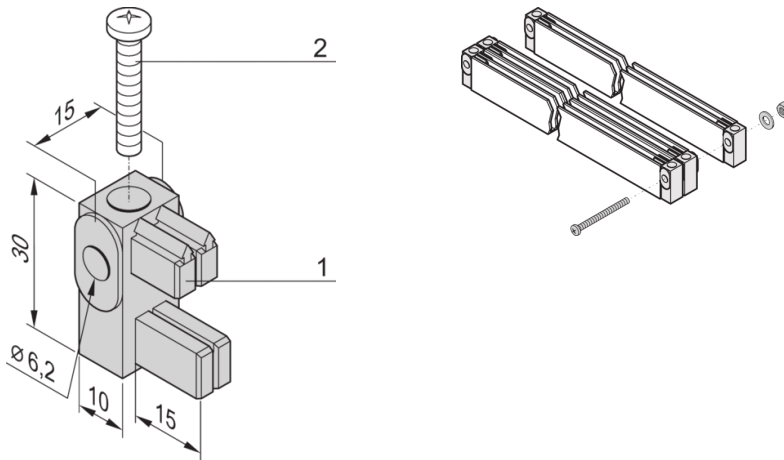


20100-030 MOUNTING BRACKET WITH INSULATING BLOCK FOR BUSBAR 1, 2 POLES



KEY FEATURES

Mounting Bracket With Insulating Block for Busbar 1, 2 Poles

PRODUCT ATTRIBUTES

Product Type: Bracket

ADDITIONAL PRODUCT DETAILS

Mounting Brackets for Busbars or Busbar Modules are load circuit isolated mounting units for grounding rails. There may be adapters with assigned current ratings which supply the load current to loadfeeders through wire connections.

M6 screw, washer and nut for row mounting not included.

CERTIFICATIONS





North America

All locations

+1.763.422.2661

Chat with us:

schroff.nvent.com

Europe

Straubenhardt, Germany

+49.7082.794.0

Betschdorf, France

+33.3.88.90.64.90

Warsaw, Poland

+48.22.209.98.35

Assago, Italy

+39.02.932.7141

Chat with us:

schroff.nvent.com

Asia

Shanghai, China

+86.21.2412.6943

Qingdao, China

+86.532.8771.6101

Singapore

+65.6768.5800

Shin-Yokohama, Japan

+81.45.476.0271

Chat with us:

schroff.nvent.com

Middle East & India

Dubai, United Arab Emirates

+971.4.378.1700

Bangalore, India

+91.80.6715.2001

Istanbul, Turkey

+90.216.250.7374

Chat with us:

schroff.nvent.com



Our powerful portfolio of brands:
nVent.com **CADDY ERICO HOFFMAN RAYCHEM SCHROFF TRACER**

© 2023 nVent. All nVent marks and logos are owned or licensed by nVent Services GmbH or its affiliates. All other trademarks are the property of their respective owners.

nVent reserves the right to change specifications without notice.