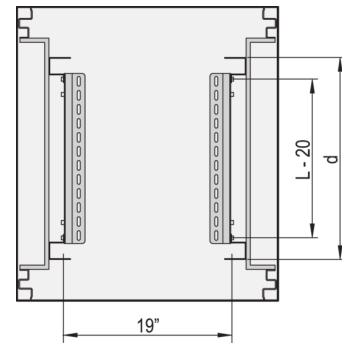
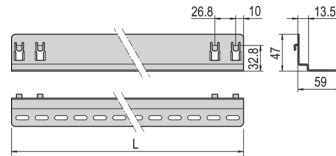
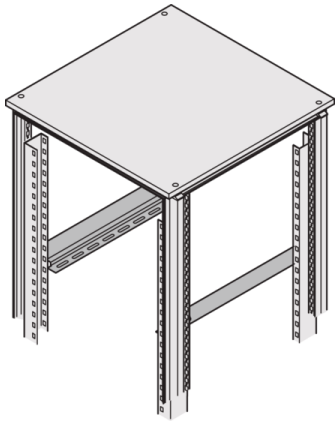




SCHROFF

## 22127-095 EURORACK SLIDE RAIL, 25 KG, 800D, 1 PAIR



### KEY FEATURES

St, 1.5 mm, finish AlZn

Static load-carrying capacity 25 kg per pair

Support shelf of heavy 19" chassis

For assembly on the 19" panel/slide mounts

Wide support surface

Can be attached in 1 U increments

### PRODUCT ATTRIBUTES

Product Type: Slide Rail

Product Family: Eurorack

Length: 617 mm

Depth: 800 mm

Static Load: 25 kg

### ADDITIONAL PRODUCT DETAILS

Eurorack Slide Rail with 25 kg load capacity for mounting on the cabinet uprights or 19" panel/slide mounts. The slide rail supports shelf of heavy 19" Chassis.

Standard distance for servers d = 740 mm. For assembly 4 pieces panel/slide mounts are necessary (please order separately, see panel/slide mount).

## CERTIFICATIONS

---



### North America

All locations  
+1.763.422.2661  
Chat with us:  
[schroff.nvent.com](https://schroff.nvent.com)

### Europe

Straubenhardt, Germany  
+49.7082.794.0  
Betschdorf, France  
+33.3.88.90.64.90  
Warsaw, Poland  
+48.22.209.98.35  
Assago, Italy  
+39.02.932.7141  
Chat with us:  
[schroff.nvent.com](https://schroff.nvent.com)

### Asia

Shanghai, China  
+86.21.2412.6943  
Qingdao, China  
+86.532.8771.6101  
Singapore  
+65.6768.5800  
Shin-Yokohama, Japan  
+81.45.476.0271  
Chat with us:  
[schroff.nvent.com](https://schroff.nvent.com)

### Middle East & India

Dubai, United Arab Emirates  
+971.4.378.1700  
Bangalore, India  
+91.80.6715.2001  
Istanbul, Turkey  
+90.216.250.7374  
Chat with us:  
[schroff.nvent.com](https://schroff.nvent.com)



Our powerful portfolio of brands:  
[nVent.com](https://nVent.com) **CADDY ERICO HOFFMAN RAYCHEM SCHROFF TRACER**

© 2023 nVent. All nVent marks and logos are owned or licensed by nVent Services GmbH or its affiliates. All other trademarks are the property of their respective owners.

nVent reserves the right to change specifications without notice.