



CONNECT AND PROTECT

Varistar Electronics



SCHROFF

# Cabinets – Varistar Electronics

## OVERVIEW

### MAIN KATALOG

- Cabinets . . . . . 1
- Wall mounted cases . . . . . 2
- Accessories for cabinets and wall mounted cases . . 3
- Climate control . . 4
- Electronics cases . . . . . 5
- Subracks/ 19" chassis . . . . . 6
- Front panels, plug-in units . . . . . 7
- Systems . . . . . 8
- Power supply units . . . . . 9
- Backplanes . . . . . 10
- Connectors, front panel component system . . . . . 11
- Appendix . . . . . 12



01008004



01009002

01005014

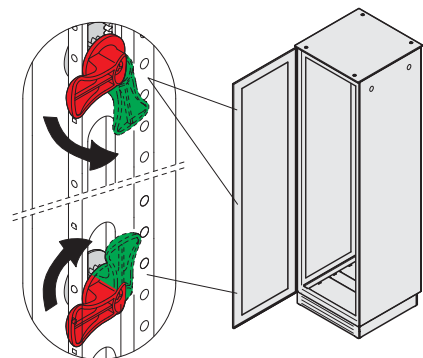
19" panel mounts integrated in decorative frame

All-round gasketing to IP 55



01009002

Side panels with quick-release fastener, optionally lockable



01005014

3-point locking with contradirectional bolts

# Cabinets – Varistar Electronics

## OVERVIEW

### THE UNIVERSAL CABINET FOR ELECTRONICS

- Selectable stability, static load-carrying capacity up to 800 kg
- Professional solutions for cable ducting
- Variable ventilation concepts, active and passive
- Various versions in ServicePLUS configuration

#### VARISTAR DECO



01004001

- Open at front, with deco frame and integrated 19" panel mounts

#### VARISTAR IP 20



01004002

- With glass door and single point locking

#### VARISTAR IP 55



01004003

- With glass or steel door and 3-point locking

#### SERVICEPLUS

- e.g. individual configuration and assembly
- e.g. modifications (cut-outs, special colours)
- e.g. variants of uprights (Slim-Line, Heavy-Duty)
- e.g. custom solutions (special sizes)

Overview . . . . 1.10

VARISTAR Platform . . . . . 1.4  
Dimensions . . . . . 1.8

VARISTAR Deco . . . . . 1.12  
VARISTAR IP 20 . . . . . 1.13  
VARISTAR IP 55 . . . . . 1.14

#### Accessories

Lever handle . . . . . 1.15  
Base plate . . . . . 1.15  
Base/plinth . . . . . 1.16  
Mounting plate . . . . . 1.17  
19" swing frame . . . . . 1.18  
19 panel/slide mount . . . . . 1.19  
19" fixing materials kit, M6 . . . . . 1.19  
Slide rails . . . . . 1.20  
19" shelves . . . . . 1.21  
Depth members . . . . . 1.24  
C horizontal rail . . . . . 1.24  
Cable tie, Velcro . . . . . 1.26

ServicePLUS IP 20 . . . . . 1.27  
ServicePLUS IP 55 . . . . . 1.39  
ServicePLUS Interior configuration . . . . . 1.44

VARISTAR EMC . . . . . 1.54  
VARISTAR Seismic . . . . . 1.84  
VARISTAR datacom and Networking Technology . . . . . 1.124  
VARISTAR air/water heat exchanger . . . . . 1.224

# Cabinets – Varistar Electronics

## VARISTAR DECO



- Open at front (no door)
- 19" panel mounts integrated into decoration frame
- Rear door with single point locking, side panels with quick release fastener
- Static load-carrying capacity 400 kg (Slim-Line)

### DELIVERY COMPRISES (assembled)

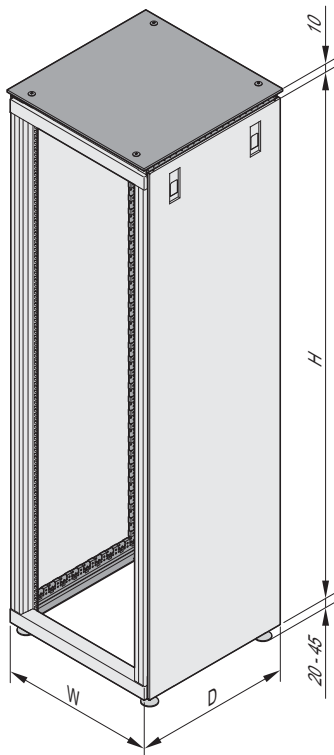
Item	Qty	Description
1	1	Welded basic frame, Slim-Line, St profile, zinc-plated, powder-coated, RAL 7021
2	4	Adjustable foot, assembled
3	1	Raised top cover, St, RAL 7021, with 10 mm air gap all around
4	1	Decorative frame, Al, integrated 19" panel mounts at the front, RAL 7035
5	2	Adapter bracket, St, 2 mm, RAL 7035, front, for assembling shelves and slide rails
6	1	Rear door, St, 180° hinge, single point locking and key with safety lock, RAL 7035
7	2	Side panel, St, with quick-release fastener, RAL 7035
8	1	GND/earthing kit, supplied loose

### ORDER INFORMATION

Height U	Height H mm	Width W mm	Depth D mm	Part no.
38	1800	600	600	<b>10130-001</b>
38	1800	600	800	<b>10130-002</b>
42	2000	600	600	<b>10130-003</b>
42	2000	600	800	<b>10130-004</b>

01004001

Castors load-carrying capacity 400 kg, PS/St, PU 4 pieces, 2 locking, 2 non locking	<b>23130-077</b>
Castors with integrated adjustable feet load-carrying capacity 400 kg, PU 4 pieces	<b>23130-078</b>
Lever handle for single point locking with push button, 1 piece	<b>23130-067</b>
DIN profile half cylinder, common locking for lever handle (1 key fits all locks) incl. 2 keys	<b>25127-995</b>
Lifting eye for raised top cover PU 4 pieces	<b>23130-085</b>



01004151

### NOTE

- Lever handle can be added to rear door
- For more dimensions and versions see ServicePLUS IP 20, starting on page 1.27
- Please order base plate separately, see page 1.15
- Please order base/plinth separately, see page 1.16
- For assembly of shelves and slide rails another pair of panel/slide mounts is necessary, see page 1.19



# Cabinets – Varistar Electronics

## VARISTAR IP 20



- With glazed front door
- Doors with single point locking, side panels with quick release fastener
- Type of protection IP 20
- Static load-carrying capacity 400 kg (Slim-Line)

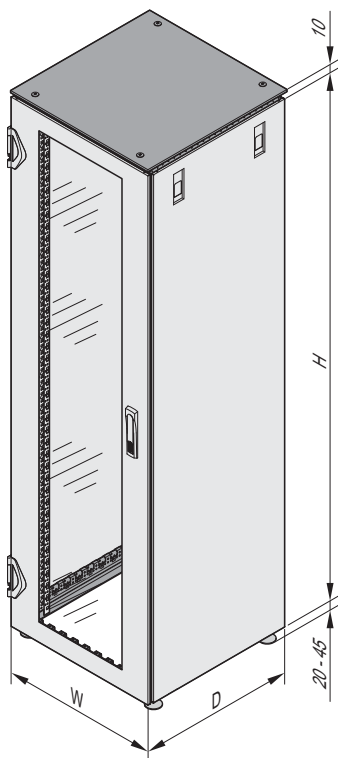
### DELIVERY COMPRISES (assembled)

Item	Qty	Description
1	1	Welded basic frame, Slim-Line, St profile, zinc-plated, powder-coated, RAL 7021
2	4	Adjustable foot, assembled
3	1	Raised top cover, St, RAL 7021, with 10 mm air gap all around
4	1	Front door, glazed, safety glass, 6 mm, 180° hinge, RAL 7035, single point locking, key lock cover
5	1	Rear door, St, 180° hinge, RAL 7035, single point locking, key with safety lock
6	2	Side panel, St, quick-release fastener with safety lock, RAL 7035
7	2	19" panel/slide mount with EIA cut-outs, St, RAL 7035, assembled at front, depth-adjustable in 25 mm increments
8	1	GND/earthing kit, enclosed loose

### ORDER INFORMATION

Height U	Height H mm	Width W mm	Depth D mm	Part no.
38	1800	600	600	<b>10130-005</b>
38	1800	600	800	<b>10130-006</b>
42	2000	600	600	<b>10130-007</b>
42	2000	600	800	<b>10130-008</b>
Castors load-carrying capacity 400 kg, PS/St, PU 4 pieces, 2 locking, 2 non locking				<b>23130-077</b>
Castors with integrated adjustable feet load-carrying capacity 400 kg, PU 4 pieces				<b>23130-078</b>
Lever handle for single point locking with push button, 1 piece				<b>23130-067</b>
DIN profile half cylinder, common locking for lever handle (1 key fits all locks) incl. 2 keys				<b>25127-995</b>
Lifting eye for raised top cover PU 4 pieces				<b>23130-085</b>

01004002



01004152

### NOTE

- Lever handle can be added to the doors
- For other dimensions and versions see ServicePLUS configuration IP 20, from page 1.27
- Please order base plate separately, see page 1.15
- Please order base/plinth separately, see page 1.16
- For assembly of shelves and slide rails another pair of panel/slide mounts is necessary, see page 1.19

# Cabinets – Varistar Electronics

## VARISTAR IP 55



01005006



01005014

- With glazed or steel front door
- Doors with 3-point locking and screw-fixed side panels
- Type of protection IP 55
- Static load-carrying capacity 400 kg (Slim-Line)

### DELIVERY COMPRISES (assembled)

Item	Qty	Description
1	1	Welded basic frame, Slim-Line, St profile, zinc-plated, powder-coated, RAL 7021, with all around rubber seals
2	4	Adjustable foot, assembled
3	1	Flat top cover, St, RAL 7021
4	1	Front door, St or glazed, RAL 7035, 180° hinge, 3-point locking, lever handle
5	1	Rear panel, screw fixed, St, RAL 7035
6	2	Side panel, screw fixed, St, RAL 7035
7	1	Base plate, multi-piece, with cover plate, St, RAL 7021, with gasket
8	2	19" panel/slide mount with EIA cut-outs, AlZn, assembled at front, depth-adjustable in 25 mm increments
9	1	GND/earthing kit, enclosed loose

### ORDER INFORMATION

Height U	Height H mm	Width W mm	Depth D mm	Description	Part no.
42	2000	600	600	With glazed door	<b>10130-021</b>
42	2000	600	600	With steel door	10130-022
Castors load-carrying capacity 400 kg, PS/St, PU 4 pieces, 2 locking, 2 non locking					<b>23130-077</b>
Castors with integrated adjustable feet load-carrying capacity 400 kg, PU 4 pieces					<b>23130-078</b>
DIN profile half cylinder, common locking for lever handle (1 key fits all locks) incl. 2 keys					<b>25127-995</b>
Lifting eye for top cover PU 4 pieces					<b>23130-072</b>

### NOTE

- For other dimensions and versions see ServicePLUS configuration IP 55, from page 1.39
- Please order base/plinth separately, see page 1.16
- For assembly of shelves and slide rails another pair of panel/slide mounts is necessary, see page 1.19

# Cabinets – Varistar Electronics

## LEVER HANDLE FOR SINGLE POINT LOCKING



- For installation instead of key lock insert
- To open press push-button
- DIN profile half cylinder retrofittable

### DELIVERY COMPRISES

Item	Qty	Description
1	1	Lever handle for single point locking
2	1	Assembly kit

### ORDER INFORMATION

Description	Part No.
Lever handle for single point locking	<b>23130-067</b>

### Accessories

DIN profile half cylinder, common locking for lever handle (1 key type 333 fits all locks) incl. 2 keys	<b>25127-995</b>
---	------------------

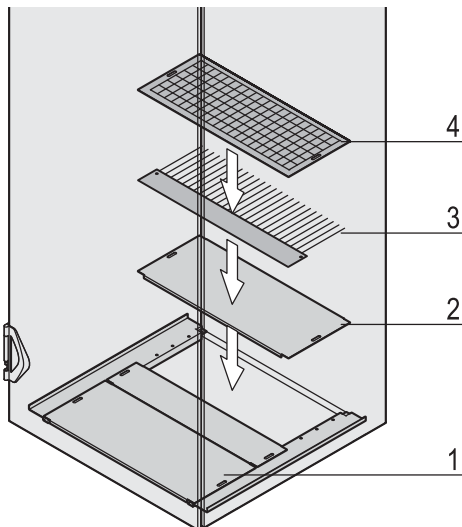
01005016

DIN profile half cylinder, common locking for lever handle (1 key type 2233 fits all locks) incl. 2 keys	<b>60130-402</b>
--	------------------

### NOTE

- Other locks such as ASSA, KABA or RONIS available on request

## BASE PLATE, MULTI-PIECE



1: Base plate, multi-piece; 2: Cover plate; 3: Brush strip; 4: Filter kit

- The multi-piece base plate is open at the rear
- The opening may be completed
  - with a filter mat
  - with a brush strip for the cable entry
  - with a cover plate

### DELIVERY COMPRISES (kit)

Item	Qty	Description
1	1	Multi-piece base plate, St, 1.5 mm, RAL 7021
5	1	Assembly kit

### ORDER INFORMATION

Width mm	Depth mm	Part no.
600	600	<b>23130-001</b>
600	800	<b>23130-002</b>

Item 2 Cover plate for base plate, multi-piece for 600 mm wide base plate, 200 mm deep, incl. assembly kit, 1 piece	<b>23130-076</b>
---	------------------

01004050

Item 3 Brush strip for base plate for 600 mm width base plate, 200 mm deep, incl. assembly kit, 1 piece	<b>23130-074</b>
---	------------------

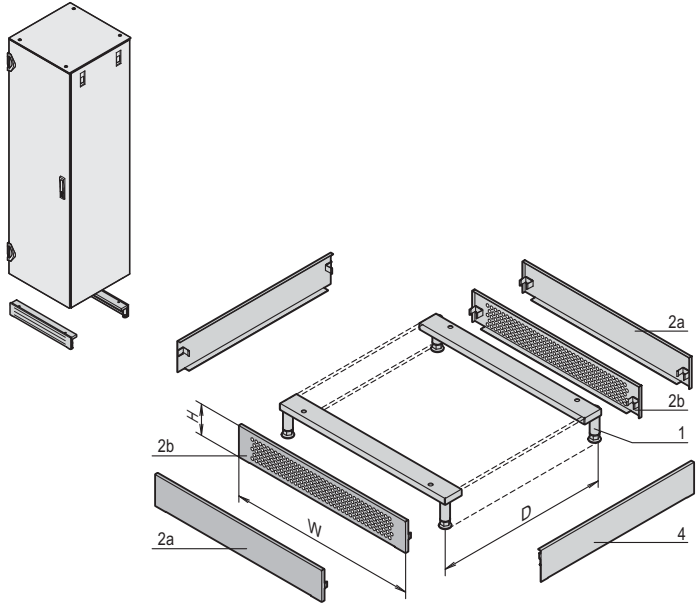
Item 4 Filter mat white, class M1 in accordance with EN 799-G3, for 600 mm wide base plate, 200 mm deep, incl. assembly kit, 1 piece	<b>23130-075</b>
--	------------------

### NOTE

- Is assembled from inside
- Please order cover plate, brush strip or filter mat separately

# Cabinets – Varistar Electronics

## STATIONARY BASE



D = cabinet depth

- Static load-carrying capacity 1000 kg
- Removable covers allow cable entry from all sides
- Cannot be used in conjunction with castors
- Plinth height 100 mm, with feet adjustable from 112 to 132 mm
- Versions
  - Front/rear trim perforated
  - Front/rear trim solid

### DELIVERY COMPRISES (kit)

Item	Qty	Description
1	2	Support with feet, St, 3 mm
2a	2	Solid trim, St, 1.5 mm, RAL 7021
2b	2	Perforated trim, St, 1.5 mm, RAL 7021
3	1	Assembly kit

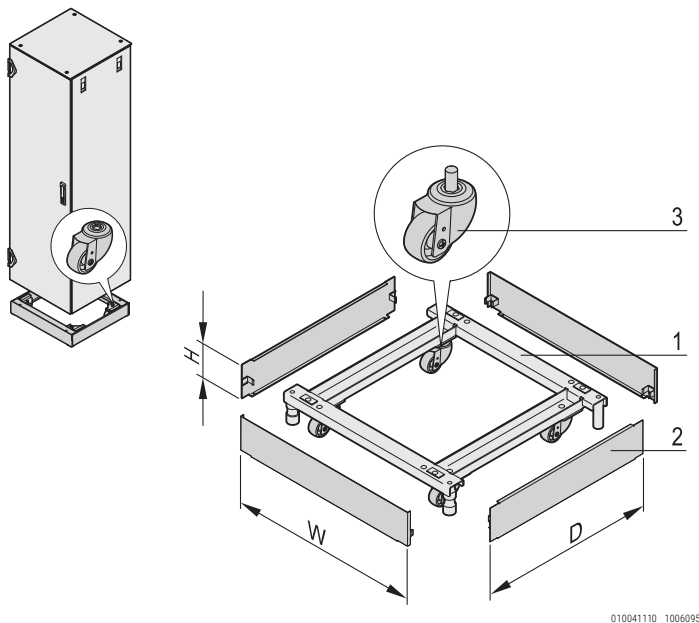
### ORDER INFORMATION

For cabinet width W mm	Front/rear trim	Part no.
600	perforated	<b>23130-187</b>
600	plain	23130-387
Item 4 Side trim height 100 mm, depth 600 mm, PU 2 pieces		<b>23130-169</b>
Item 4 Side trim height 100 mm, depth 800 mm, PU 2 pieces		<b>23130-170</b>

### NOTE

- Please order side trims (item 4) separately

## BASE/PLINTH, MOBILE



- Load-carrying capacity on castors 400 kg, on adjustable feet 1000 kg
- Plinth height H = 100 mm, with feet adjustable from 126 to 134 mm

### DELIVERY COMPRISES

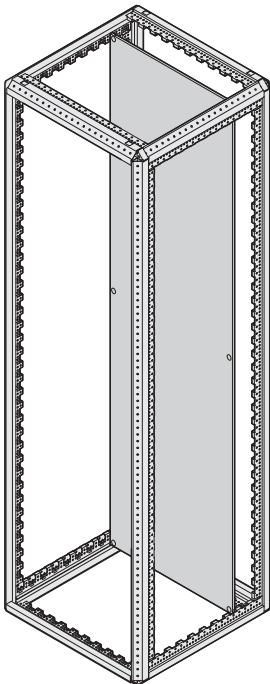
Item	Qty	Description
1	1	Frame, St, 3 mm, RAL 7021, with adjustable feet
2	4	Trim, St, 1.5 mm, RAL 7021
3	4	Castor
4	1	Assembly kit

### ORDER INFORMATION

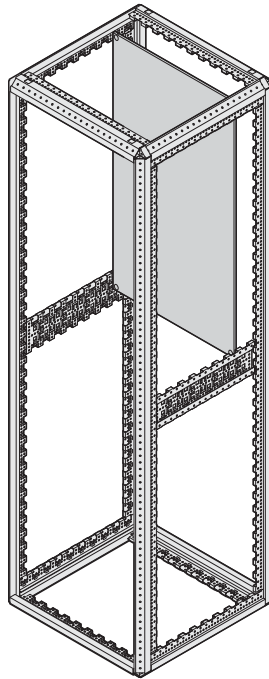
For cabinet width mm	For cabinet depth mm	Part no.
600	600	23130-208
600	800	<b>23130-209</b>

# Cabinets – Varistar Electronics

## MOUNTING PLATE



Full height



For partial-height mounting

010080520 1008053

- For mounting electrical components and sub-assemblies incl. cabling
- Mounting pitch 25 mm in depth and 50 mm in height for partial-height mounting
- Depth members are required for partial-height mounting
- Static load
  - 450 kg at full height, mounted to rear
  - 600 kg at full height, mounted to rear, with additional strengthening brackets

### DELIVERY COMPRISES

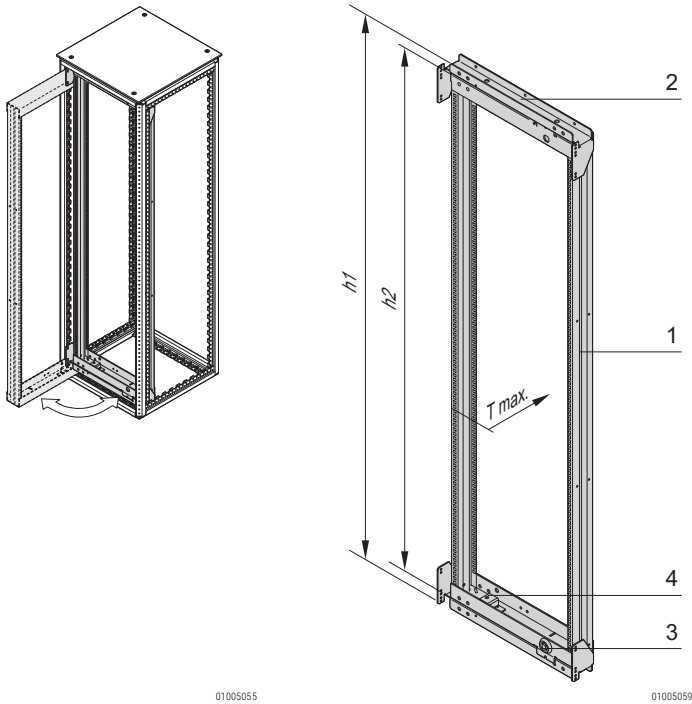
Item	Qty	Description
1	1	Mounting plate, St, 3 mm, zinc-plated
2	1	Assembly kit

### ORDER INFORMATION

For cabinet height mm	Width mm	Part no.
1200 for partial-height mounting	600	23130-413
1800	600	23130-405
2000	600	23130-407
Strengthening bracket for mounting plate PU 2 pieces		<b>23130-418</b>
Depth member St, 2 mm, for cabinet depth 600 mm, 2 pieces		<b>23130-081</b>
Depth member St, 2 mm, for cabinet depth 800 mm, 2 pieces		<b>23130-082</b>

# Cabinets – Varistar Electronics

## 19" SWING FRAME



- Can accommodate 19" chassis and 19" subracks
- For full height or partial-height mounting
- Pivot point can be selected right or left
- Load-carrying capacity 150 kg

### DELIVERY INCLUDES (kit)

Item	Qty	Description
1	1	Swing frame, St, 2 mm, RAL 7021
2	2	Support bar, St, 3 mm, RAL 7021
3	2	Square lock, 8 mm, incl. 2 keys
4	2	120° hinge
5	1	Assembly kit

### ORDER INFORMATION

For cabinet height mm	Height h1 U	Height h2 U	Part no.
900 for partial-height mounting	16	12	21130-740
1200 for partial-height mounting	24	21	21130-741
1400 for partial-height mounting	29	25	21130-742
1600 for partial-height mounting	33	30	21130-743
1800	38	34	21130-744
2000	42	39	21130-745
2200	47	43	21130-746

### Accessories

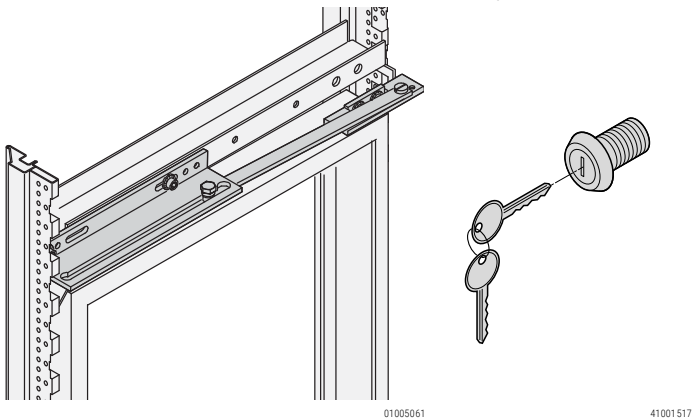
Swing frame stop max. swing angle 120°, St, zinc-plated, 1 piece	23130-158
Security lock to replace the square lock, PU 1 lock incl. 2 keys	<b>60113-267</b>
Spare key for security lock, 1 piece	<b>60220-003</b>
Slide rails for swing frames PU 2 pieces	23130-183

### NOTE

- 19" swing frames can be assembled:
  - Directly on the cabinet frame
  - In 50 mm increments by aid of depth members (depth-adjustable)
- For partial-height mounting, depth members are necessary, see page 1.24

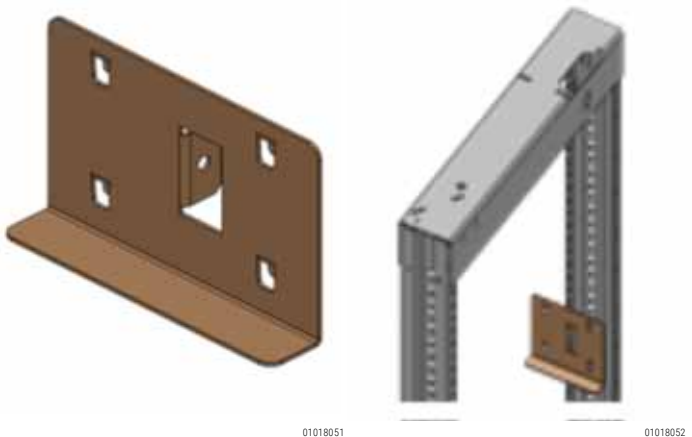
Swing frame stop

Security lock



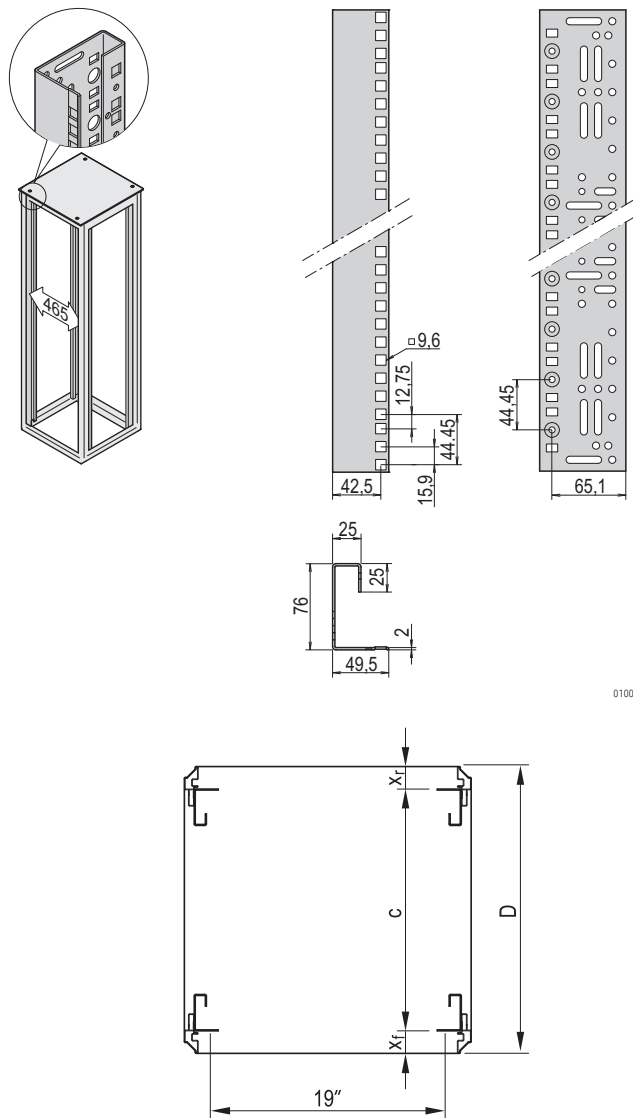
Slide rail

Sliding rails mounted on the swing frame



# Cabinets – Varistar Electronics

## 19" PANEL/SLIDE MOUNT WITH UNIVERSAL PITCH (EIA)



Standard assembly dimension  $x_r = x_f = 50$  mm

- Assembly in 600 mm wide cabinets directly on the frame
- Depth-adjustable in 25 mm increments
- In accordance with IEC 60297-1 (DIN 41 494, part 1)

### DELIVERY COMPRISES

Item	Qty	Description
1	2	19" panel/slide mount, St, 1.75 mm, finish AlZn, RAL 7035 or RAL 7021
2	1	Assembly kit, incl. GND/earthing

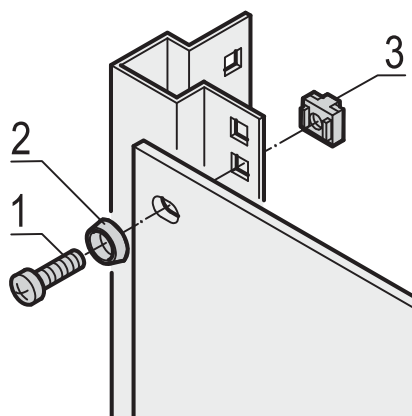
### ORDER INFORMATION

For cabinet height mm	Usable height U	Length mm	AlZn Part no.	RAL 7035 Part no.	RAL 7021 Part no.
Partial-height mounting	8	395	<b>23130-037</b>	<b>23130-027</b>	<b>23130-017</b>
Partial-height mounting	12	545	<b>23130-038</b>	<b>23130-028</b>	<b>23130-018</b>
Partial-height mounting	16	745	<b>23130-039</b>	<b>23130-029</b>	23130-019
Partial-height mounting	20	895	<b>23130-040</b>	<b>23130-030</b>	<b>23130-020</b>
Partial-height mounting	24	1095	<b>23130-031</b>	<b>23130-021</b>	<b>23130-011</b>
Partial-height mounting	29	1295	<b>23130-032</b>	<b>23130-022</b>	<b>23130-012</b>
Partial-height mounting	33	1495	<b>23130-033</b>	<b>23130-023</b>	<b>23130-013</b>
1800	38	1695	<b>23130-034</b>	<b>23130-024</b>	<b>23130-014</b>
2000	42	1895	<b>23130-035</b>	<b>23130-025</b>	<b>23130-015</b>
Dimensioning strip for 19" panel mounts, paper, white, serial numbered from 1 ... 47 U, PU 4 pieces					<b>25127-997</b>

### NOTE

- For 19" partial-height mounting depth members are necessary
- Metric panel/slide mounts available on request

## 19" ASSEMBLY KIT, M6



- For front panels, distribution fields and other components

### DELIVERY COMPRISES

Item	Description
1	Panhead screw, M6 x 16, St, zinc-plated
2	Plastic washer, black
3	Cage nut, M6, St, zinc-plated

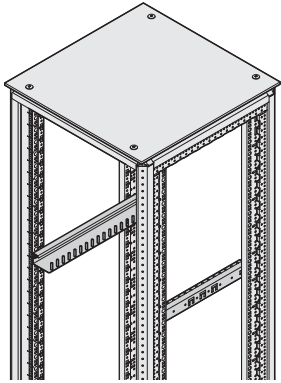
### ORDER INFORMATION

Description	Qty/PU	Part no.
19" assembly kit (screw, washer, nut)	50	<b>21101-809</b>
19" assembly kit (screw, washer, nut)	100	<b>21101-810</b>



# Cabinets – Varistar Electronics

## SLIDE RAILS

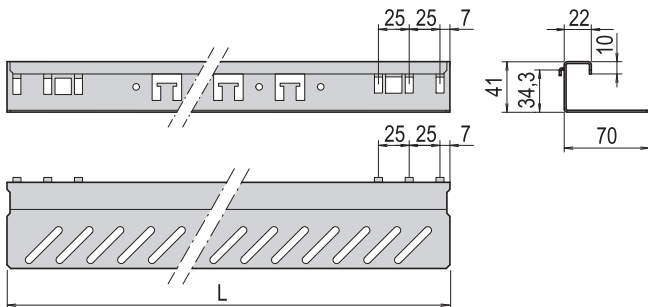


- For assembly on 19" panel/slide mounts
- Assembly in 1 U increments (snap-in, bolt-on)
- Wide support surface (48 mm)
- 2 versions
  - Static load-carrying capacity 25 kg per pair
  - Static load-carrying capacity 100 kg per pair

### DELIVERY COMPRISES

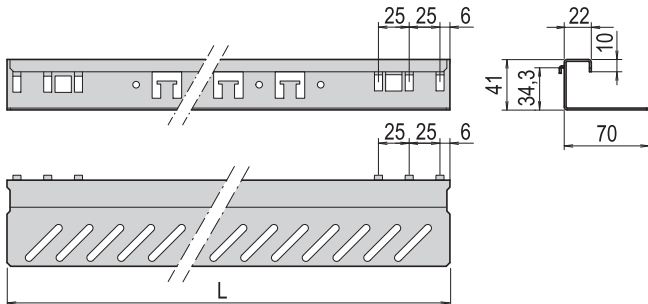
Item	Qty	Description
1	see Order information	Slide rail, AlZn, 1.5 mm (static load-carrying capacity 25 kg), or 2.5 mm (static load-carrying capacity 100 kg), zinc-plated
2	1	Assembly kit incl. GND/earthing

01004056



Static load-carrying capacity 25 kg

01005086



Static load-carrying capacity 100 kg

01004058

### ORDER INFORMATION

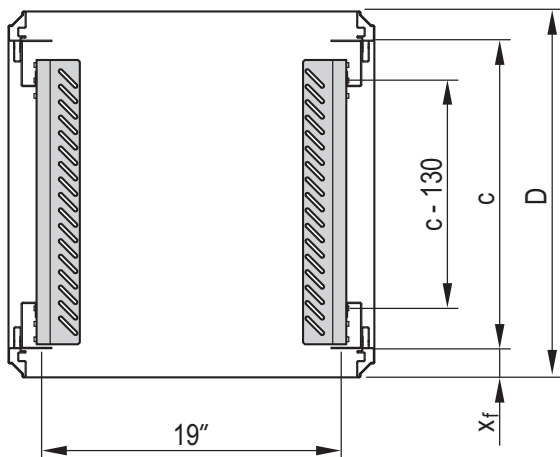
#### Static load carrying capacity 25 kg

For cabinet depth D mm	$x_f$ mm	c mm	Length L mm	Qty/PU	Part no.
600	50	500	456	2	<b>23130-096</b>
600	50	500	456	10	<b>23130-101</b>
800	50	700	656	2	<b>23130-097</b>
800	50	700	656	10	<b>23130-102</b>

### ORDER INFORMATION

#### Static load carrying capacity 100 kg

For cabinet depth D mm	$x_f$ mm	c mm	Length L mm	Qty/PU	Part no.
600	50	500	458	2	<b>23130-118</b>
600	50	500	458	10	<b>23130-123</b>
800	50	700	658	2	<b>23130-119</b>
800	50	700	658	10	<b>23130-124</b>

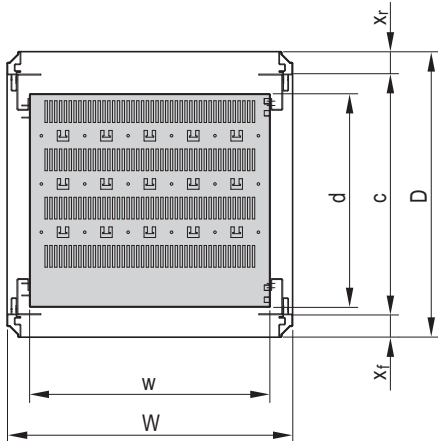
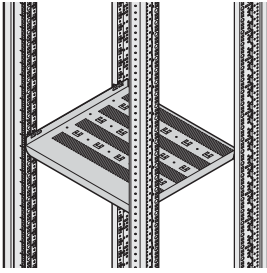


$c$  = pitch of the 19" panel/slide mounts  
 $x_f$  = standard dimension  
 $D$  = cabinet depth

01004130

# Cabinets – Varistar Electronics

## 19" FIXED SHELF, 75 KG



c = max. pitch of the 19" slide mounts  
 $x_f, x_r$  = standard assembly dimension

- Static load-carrying capacity 75 kg (150 kg with strengthening rail)
- Mounting height 1 U, for mounting on four panel/slide mounts
- With hammer head perforation to fix cable ties

### DELIVERY COMPRISES

Item	Qty	Description
1	1	Perforated shelf, St, 1.5 mm (colour see Order Information)
2	1	Assembly kit incl. GND/earthing

### ORDER INFORMATION

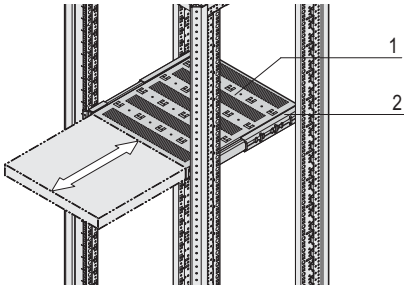
For cabinet depth	Usable surface w x d	$x_f$	c	RAL 7035 Part no.	RAL 7021 Part no.
600 mm	495 x 442 mm	50 mm	500 mm	<b>22130-303</b>	<b>21130-303</b>
800 mm	495 x 642 mm	50 mm	700 mm	<b>22130-305</b>	<b>21130-305</b>
Strengthening rail for stationary 19" shelf PU 1 piece					<b>23130-310</b>

### NOTE

- Cable ducting with cable ties, see page 1.26
- Other sizes, see ServicePLUS, page 1.49

# Cabinets – Varistar Electronics

## 19" TELESCOPIC SHELF, 30 KG



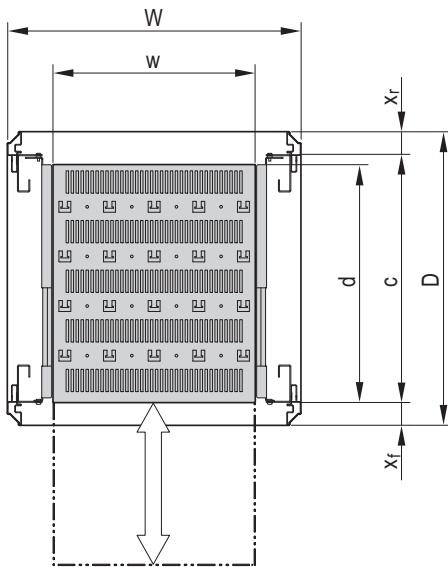
- Static load-carrying capacity at full extension 30 kg
- Mounting height 1 U, for mounting on four 19" panel/slide mounts
- Incl. telescopic slides
- Hammer head perforation to fix cable ties
- 2 versions
  - Full depth
  - Depth shortened by 100 mm for rear cable ducting

01004068

### DELIVERY COMPRISES

Item	Qty	Description
1	1	Perforated shelf, St, 1.5 mm (colour see Order Information)
2	2	Telescopic slide
3	1	Assembly kit

Full depth



### ORDER INFORMATION

Full depth

For cabinet depth	Usable surface w x d	x <sub>f</sub>	c	RAL 7035 Part no.	RAL 7021 Part no.
600 mm	417 x 482 mm	50 mm	500 mm	<b>22130-343</b>	<b>21130-343</b>
800 mm	417 x 682 mm	50 mm	700 mm	<b>22130-345</b>	<b>21130-345</b>

GND/earthing for telescopic 19" shelf PU 1 kit, for VARISTAR **23130-140**

### NOTE

- Cable ducting with cable ties, see page 1.26

01004069

### ORDER INFORMATION

Shortened by 100 mm

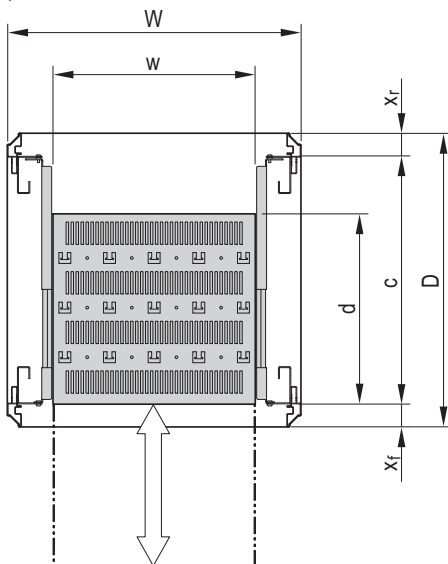
For cabinet depth	Usable surface w x d	x <sub>f</sub>	c	RAL 7035 Part no.	RAL 7021 Part no.
600 mm	417 x 382 mm	50 mm	500 mm	<b>22130-342</b>	<b>21130-342</b>
800 mm	417 x 582 mm	50 mm	700 mm	<b>22130-344</b>	<b>21130-344</b>

GND/earthing for telescopic 19" shelf PU 1 kit, for VARISTAR **23130-140**

### NOTE

- Cable ducting with cable ties, see page 1.26

Shortened depth

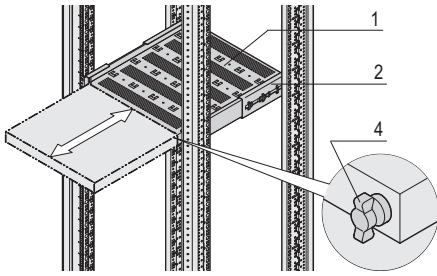


c = max. pitch of the 19" panel/slide mounts  
 x<sub>f</sub>, x<sub>r</sub> = standard assembly dimension

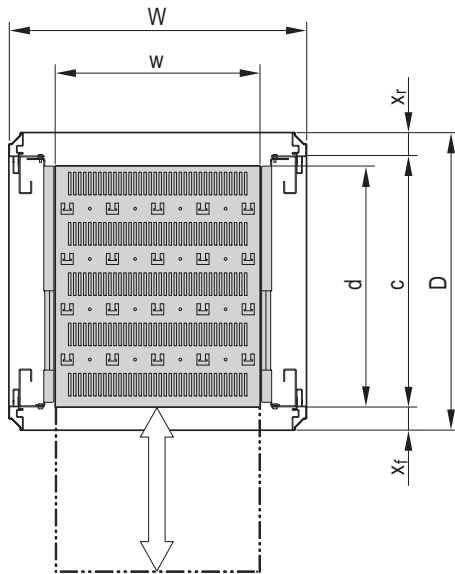
01004070

# Cabinets – Varistar Electronics

## 19" TELESCOPIC SHELF, 70 KG

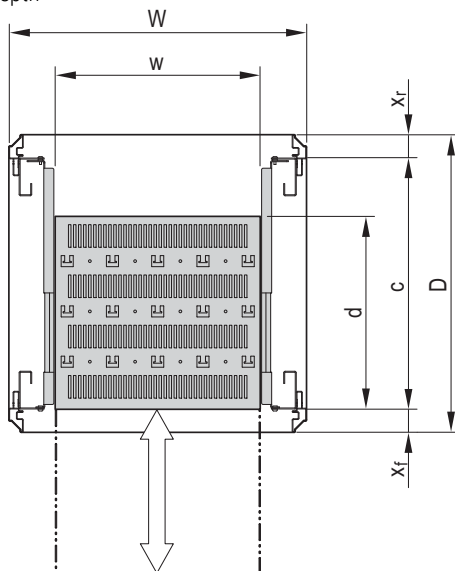


Full depth



$c$  = max. pitch for 19" panel/slidemounts

Shortened depth



$c$  = max. pitch of the 19" slide mounts  
 $x_f, x_r$  = standard assembly dimension

- Static load-carrying capacity at full extension 70 kg
- Mounting height 2 U, for mounting on four 19" panel/slide mounts
- Incl. telescopic slides
- Locking with T-bar lock possible
- Hammer head perforation to fix cable ties
- 2 versions
  - Full depth
  - Depth shortened by 100 mm for rear cable ducting

01004071

### DELIVERY COMPRISES

Item	Qty	Description
1	1	Perforated shelf, St, 1.5 mm (colour see Order Information)
2	2	Telescopic slide
3	1	Assembly kit

### ORDER INFORMATION

Full depth

For cabinet depth	Usable surface w x d	$x_f$	$c$	RAL 7035 Part no.	RAL 7021 Part no.
600 mm	405 x 482 mm	50 mm	500 mm	<b>22130-353</b>	<b>21130-353</b>
800 mm	405 x 682 mm	50 mm	700 mm	<b>22130-355</b>	<b>21130-355</b>

Item 4 T-bar lock for 1 telescopic shelf (can be mounted right or left), 1 piece **23130-092**

GND/earthing for telescopic 19" shelf PU 1 kit, for VARISTAR **23130-140**

### NOTE

- Please order T-bar lock (item 4) separately
- Cable ducting with cable ties, see page 1.26

01004069

### ORDER INFORMATION

Shortened by 100 mm

For cabinet depth	Usable surface w x d	$x_f$	$c$	RAL 7035 Part no.	RAL 7021 Part no.
600 mm	405 x 382 mm	50 mm	500 mm	22130-352	<b>21130-352</b>
800 mm	405 x 582 mm	50 mm	700 mm	22130-354	<b>21130-354</b>

Item 4 T-bar lock for 1 telescopic shelf (can be mounted right or left), 1 piece **23130-092**

GND/earthing for telescopic 19" shelf PU 1 kit, for VARISTAR **23130-140**

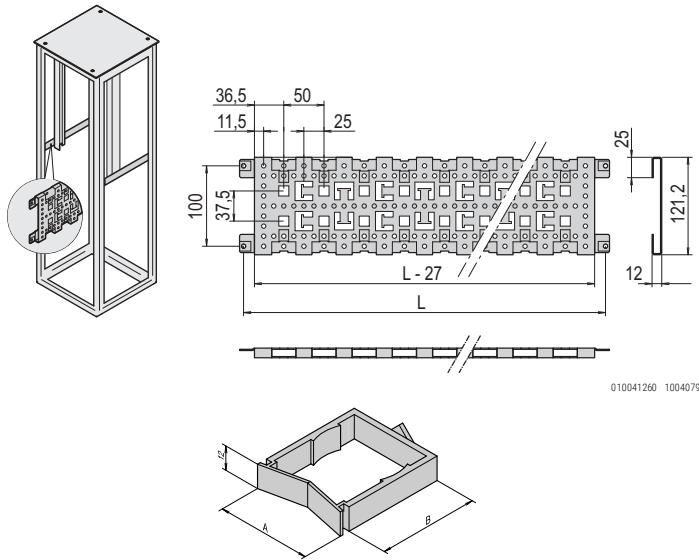
### NOTE

- Please order T-bar lock (item 4) separately
- Cable ducting with cable ties, see page 1.26

01004070

# Cabinets – Varistar Electronics

## DEPTH MEMBER



Cable eye

- For fitting shortened 19" panel/slide mounts and mounting plates
- Cable ducting by means of cable ties and cable eye

### DELIVERY COMPRISES

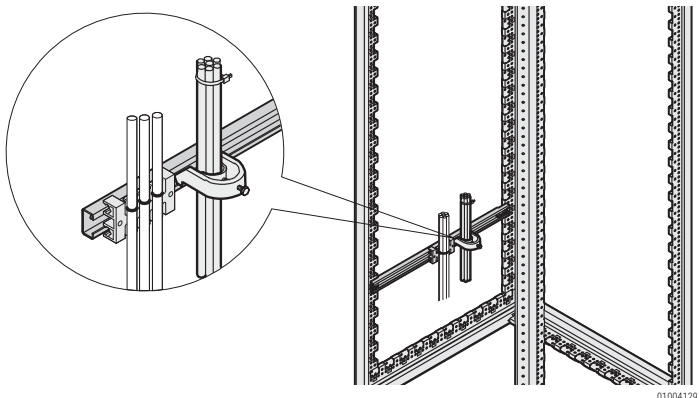
Item	Qty	Description
1	2	Depth member, St, 1.5 mm, finish AlZn
2	1	Assembly kit incl. GND/earthing

### ORDER INFORMATION

Description	For cabinet depth mm	Part no.
Depth member	600	<b>23130-081</b>
Depth member	800	<b>23130-082</b>
Cable eye A = 38 mm, B = 25 mm, PU 25 pieces		<b>21101-151</b>
Cable eye A = 47 mm, B = 50 mm, PU 25 pieces		<b>21101-150</b>

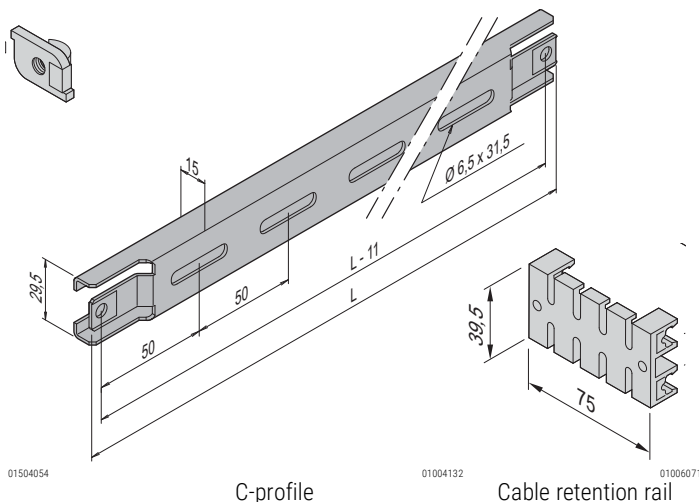
- Cable ducting with cable ties, see page 1.26

## C-PROFILE FOR THE CABINET DEPTH



Cable retention rail and cable shell mounted on C-profile

Slide nut



C-profile

Cable retention rail

- For cable ducting in lateral area of cabinet
- For cable shells and cable retention rails

### DELIVERY COMPRISES

Item	Qty	Description
1	2	C-profile, St, 1.5 mm, AlZn
2	1	Assembly kit incl. GND/earthing

### ORDER INFORMATION

For cabinet depth mm	Length L mm	Part no.
600	460	<b>23130-086</b>
800	660	<b>23130-087</b>

### Accessories

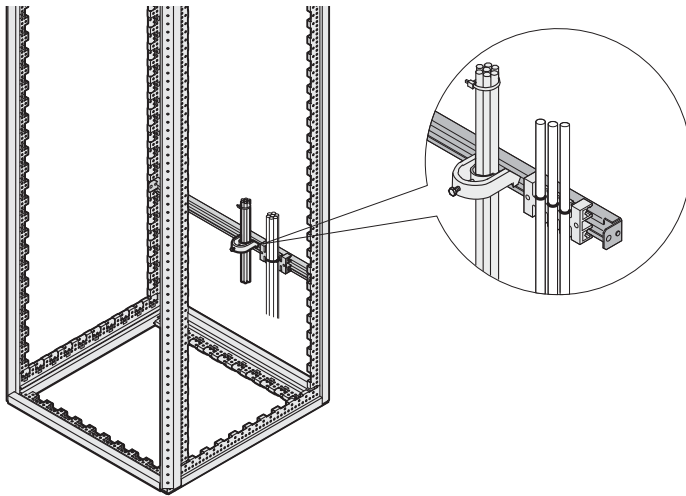
Cable retention rail for C-rail Width 75 mm, length 39.5 mm, PU 5 piece	<b>60118-472</b>
Cable shell for cable bundle 18 ... 22 mm, PU 10 pieces	<b>20118-775</b>
Cable shell for cable bundle 22 ... 26 mm, PU 10 pieces	<b>20118-776</b>
Cable shell for cable bundle 26 ... 30 mm, PU 10 pieces	<b>20118-777</b>
Cable shell for cable bundle 30 ... 34 mm, PU 10 pieces	<b>20114-728</b>
Cable shell for cable bundle 34 ... 38 mm, PU 10 pieces	<b>20114-729</b>
Cable shell for cable bundle 38 ... 42 mm, PU 10 pieces	<b>20114-730</b>
Cable shell for cable bundle 42 ... 46 mm, PU 10 pieces	<b>20114-731</b>
Cable shell for cable bundle 46 ... 50 mm, PU 10 pieces	<b>20118-778</b>
Slide nut for C-profile, PU 10 piece	<b>21120-140</b>

### NOTE

- Cable ties and Velcro for cable retention rail see page 1.26

# Cabinets – Varistar Electronics

## C-PROFILE FOR CABINET WIDTH



- For cable ducting in rear or front area of cabinet
- For cable shells and cable retention rails

### DELIVERY COMPRISES

Item	Qty	Description
1	2	C-profile, St, 1.5 mm, finish AlZn
2	1	Assembly kit incl. GND/earthing

### ORDER INFORMATION

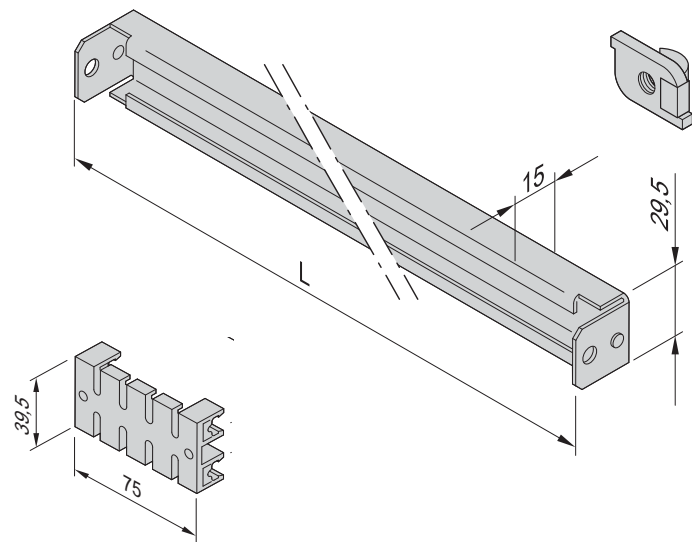
For cabinet width mm	Length mm	Part no.
600	550	<b>23130-333</b>
800	750	<b>23130-334</b>

### Accessories

Cable retention rail for C-rail Width 75 mm, length 39.5 mm, PU 5 pieces	<b>60118-472</b>
Cable shell for cable bundle 18 ... 22 mm, PU 10 pieces	<b>20118-775</b>
Cable shell for cable bundle 22 ... 26 mm, PU 10 pieces	<b>20118-776</b>
Cable shell for cable bundle 26 ... 30 mm, PU 10 pieces	<b>20118-777</b>
Cable shell for cable bundle 30 ... 34 mm, PU 10 pieces	<b>20114-728</b>
Cable shell for cable bundle 34 ... 38 mm, PU 10 pieces	<b>20114-729</b>
Cable shell for cable bundle 38 ... 42 mm, PU 10 pieces	<b>20114-730</b>
Cable shell for cable bundle 42 ... 46 mm, PU 10 pieces	<b>20114-731</b>
Cable shell for cable bundle 46 ... 50 mm, PU 10 pieces	20118-778
Slide nut for C-profile, PU 10 pieces	<b>21120-140</b>

C-profile

Slide nut



01006071

Cable retention rail

01006064

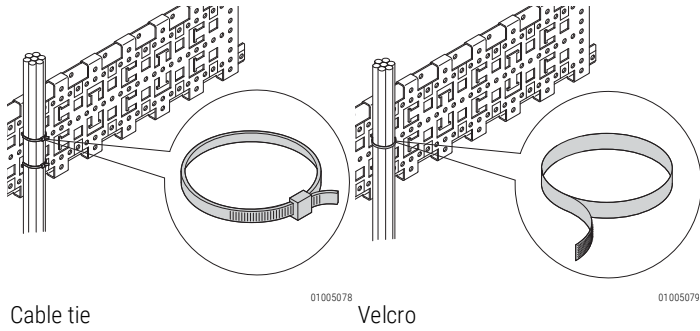
01504054

### NOTE

- Cable ties and Velcro for cable retention rail see page 1.26

# Cabinet accessories – Varistar Electronics

## CABLE TIES, VELCRO



Cable tie

Velcro

- Fixing materials kit for cable ducting

### ORDER INFORMATION

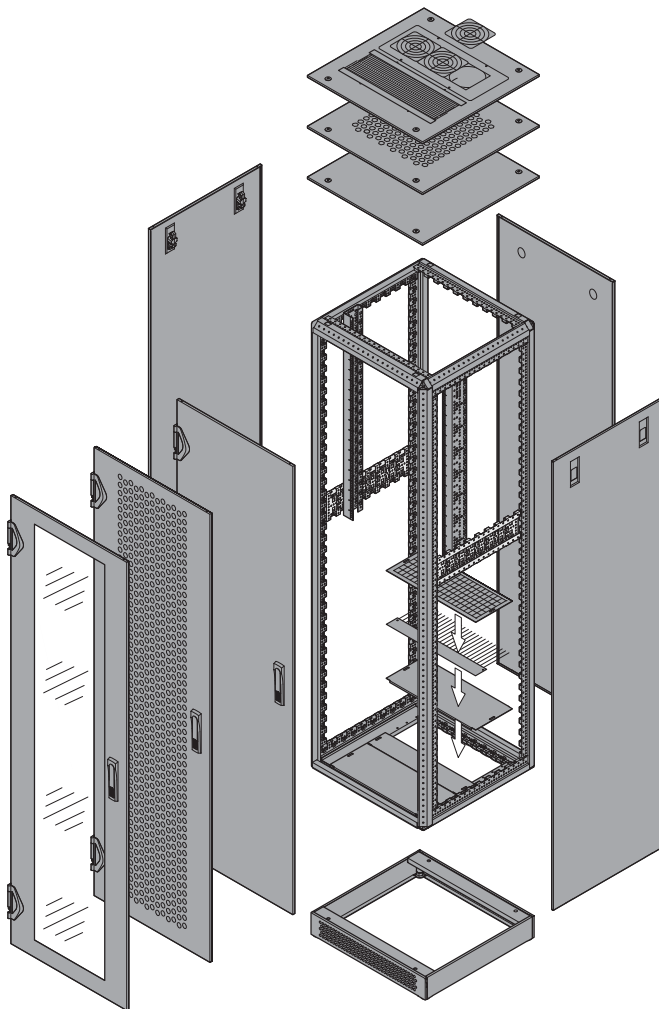
Description	Part no.
Cable tie, Plastic, 92 mm x 2.5 mm, PU 25 pieces	<b>20118-351</b>
Cable tie, Plastic, 186 mm x 5 mm, PU 25 pieces	<b>20118-352</b>
Cable tie, Plastic, 360 mm x 5 mm, PU 25 pieces	<b>20118-353</b>
Velcro strip, PE/PA, black, length 300 mm, PU 10 pieces	<b>20118-624</b>



# Cabinets – Varistar Electronics

## VARISTAR IP 20 SERVICEPLUS: CONFIGURATION AND ASSEMBLY

- Dimensions:
  - Height: 29 ... 47 U (1400 ... 2200 mm)
  - Width: 600 and 800 mm
  - Depth: 300, 600 and 800 mm
- 2 colour combinations:
  - Frame and covers in black grey (RAL 7021)
  - Frame, top cover and base in black grey (RAL 7021); Side panel, door and rear panel in light grey (RAL 7035)
- Build your cabinet out of individual components (please suffix each part number with /05)
- Once you have selected the desired cabinet dimensions, the row number (first column of the configuration tables) will guide you through all subsequent configuration pages that apply to these dimensions (see example below)
- The cabinet is assembled by us and ready for despatch within 10 working days



01004077

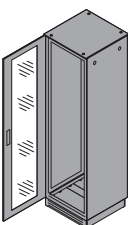
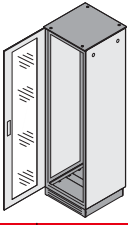
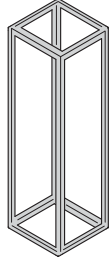
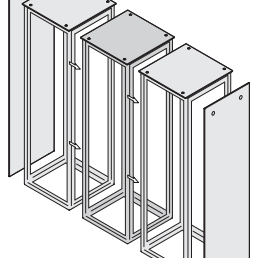
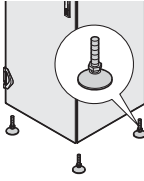
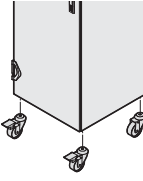
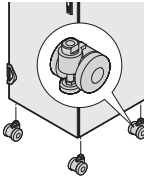
Example configuration (here: row 10)

Qty	Description	Order no.
1	Frame Slim-Line, height 2000 mm, width 600 mm, depth 800 mm, 1 piece	20130-019/05
1	Side panel with quick-release fastener, RAL 7021, PU 2 pieces	21130-051/05
2	Safety lock for side panel, PU 4 pieces	23130-132/05
1	Rear panel, screw-fixed, RAL 7021, 1 piece	21130-069/05
1	Glazed door with single point locking, RAL 7021, IP 20, 1 piece	21130-129/05
1	Adjustable feet, PU 4 pieces	23130-079/05
..	.....	.....

	Page
Frames, side-by-side mounting kits, adjustable feet, castors	1.28
Side panels, rear panels	1.29
Decorative frames, glazed doors	1.30
Steel doors	1.31
Double doors	1.32
Flat top covers, lifting eyes	1.33
Flat top cover assemblies with cut-out zones	1.34
Fan top covers	1.35
Bases/plinths	1.36
Connecting plates for short doors/rear panels	1.37
<b>Interior configuration for IP 20 and IP 55</b>	
19" panel/slide mounts	1.44
ETSI panel/slide mounts	1.45
Swing frames	1.46
Mounting plate, stationary shelves, 75 kg	1.47
Telescopic shelves, 70 kg	1.48
19" shelves 1 U, fixed 75 kg, telescopic 30 kg	1.49
19" telescopic shelf, 2 U, 70 kg	1.50
Slide rails, depth members	1.51
Cable ductings	1.52
Cable ties, Velcro	1.53

# Cabinets – Varistar Electronics

**VARISTAR IP 20**
**FRAMES, SIDE-BY-SIDE MOUNTING KITS, ADJUSTABLE FEET, CASTORS**
**ORDER INFORMATION**

					Frame		Side-by-side mounting kit IP 20	Side-by-side mounting kit IP 55 (with gasketing)	Adjustable feet	Castors				
					Slim-Line 400 kg	Heavy-Duty 800 kg				With 2 jacking feet	With adjustable feet			
 <p>Completely in RAL 7021 (black grey)</p>  <p>Colour combination RAL 7035 (light grey)/RAL 7021 (black grey)</p>					 <p>01004078</p>		 <p>01004117</p>		 <p>01004081</p>		 <p>01004082</p>		 <p>01004156</p>	
					static load-carrying capacity: 400 kg, St, 1.5 mm, zinc-plated, with central GND/earthing point; please order adjustable feet or castors separately	static load-carrying capacity: 800 kg, St, 1.5 mm, zinc-plated, with central GND/earthing point; please order adjustable feet or castors separately	side-by-side mounting bracket (4 pieces), St; RAL 7021, not in combination with decorative frame	side-by-side mounting bracket (4 pieces), St, RAL 7021, incl. gasketing to cover the gap between two racks; not in combination with decorative frame	for the frame, static load-carrying capacity: 100 kg, cannot be used with base/plinth	for the frame, static load-carrying capacity: 400 kg, cannot be used with base/plinth	for the frame, static load-carrying capacity: 400 kg, cannot be used with base/plinth			
No.	Cabinet dimensions				1 piece assembled	1 piece assembled	PU 1 kit supplied loose	PU 1 kit supplied loose	PU 4 pieces assembled	PU 4 pieces	PU 4 pieces			
	Height	Width	Depth											
	U	mm	mm	mm										
<b>Completely in RAL 7021</b>					<b>RAL 7021</b>	<b>RAL 7021</b>	<b>RAL 7021</b>							
1	29	1400	600	600	20130-005	20130-055	<b>23130-061</b>	<b>23130-062</b>	<b>23130-079</b>	<b>23130-077</b>	<b>23130-078</b>			
2	29	1400	600	800	20130-006	20130-056								
3	33	1600	600	600	20130-009	20130-059	<b>23130-061</b>	<b>23130-062</b>	<b>23130-079</b>	<b>23130-077</b>	<b>23130-078</b>			
4	33	1600	600	800	20130-010	20130-060								
5	38	1800	600	600	20130-013	20130-063	<b>23130-061</b>	<b>23130-062</b>	<b>23130-079</b>	<b>23130-077</b>	<b>23130-078</b>			
6	38	1800	600	800	20130-014	20130-064								
7	38	1800	800	600	20130-015	20130-065	<b>23130-061</b>	<b>23130-062</b>	<b>23130-079</b>	<b>23130-077</b>	<b>23130-078</b>			
8	42	2000	600	300	20130-017	-	<b>23130-061</b>	<b>23130-062</b>	<b>23130-079</b>	<b>23130-077</b>	<b>23130-078</b>			
9	42	2000	600	600	20130-018	20130-068	<b>23130-061</b>	<b>23130-062</b>	<b>23130-079</b>	<b>23130-077</b>	<b>23130-078</b>			
10	42	2000	600	800	20130-019	20130-069								
11	42	2000	800	600	20130-022	20130-072	<b>23130-061</b>	<b>23130-062</b>	<b>23130-079</b>	<b>23130-077</b>	<b>23130-078</b>			
12	42	2000	800	800	20130-023	20130-073								
13	47	2200	600	300	20130-026	-	<b>23130-061</b>	<b>23130-062</b>	<b>23130-079</b>	<b>23130-077</b>	<b>23130-078</b>			
14	47	2200	600	600	20130-027	20130-077	<b>23130-061</b>	<b>23130-062</b>	<b>23130-079</b>	<b>23130-077</b>	<b>23130-078</b>			
15	47	2200	600	800	20130-028	20130-078								
16	47	2200	800	800	20130-032	20130-082	<b>23130-061</b>	<b>23130-062</b>	<b>23130-079</b>	<b>23130-077</b>	<b>23130-078</b>			
<b>Colour combinations</b>					<b>RAL 7021</b>	<b>RAL 7021</b>	<b>RAL 7021</b>							
17	29	1400	600	600	20130-005	20130-055	<b>23130-061</b>	<b>23130-062</b>	<b>23130-079</b>	<b>23130-077</b>	<b>23130-078</b>			
18	29	1400	600	800	20130-006	20130-056								
19	33	1600	600	600	20130-009	20130-059	<b>23130-061</b>	<b>23130-062</b>	<b>23130-079</b>	<b>23130-077</b>	<b>23130-078</b>			
20	33	1600	600	800	20130-010	20130-060								
21	38	1800	600	600	20130-013	20130-063	<b>23130-061</b>	<b>23130-062</b>	<b>23130-079</b>	<b>23130-077</b>	<b>23130-078</b>			
22	38	1800	600	800	20130-014	20130-064								
23	38	1800	800	600	20130-015	20130-065	<b>23130-061</b>	<b>23130-062</b>	<b>23130-079</b>	<b>23130-077</b>	<b>23130-078</b>			
24	42	2000	600	300	20130-017	-	<b>23130-061</b>	<b>23130-062</b>	<b>23130-079</b>	<b>23130-077</b>	<b>23130-078</b>			
25	42	2000	600	600	20130-018	20130-068	<b>23130-061</b>	<b>23130-062</b>	<b>23130-079</b>	<b>23130-077</b>	<b>23130-078</b>			
26	42	2000	600	800	20130-019	20130-069								
27	42	2000	800	600	20130-022	20130-072	<b>23130-061</b>	<b>23130-062</b>	<b>23130-079</b>	<b>23130-077</b>	<b>23130-078</b>			
28	42	2000	800	800	20130-023	20130-073								
29	47	2200	600	300	20130-026	-	<b>23130-061</b>	<b>23130-062</b>	<b>23130-079</b>	<b>23130-077</b>	<b>23130-078</b>			
30	47	2200	600	600	20130-027	20130-077	<b>23130-061</b>	<b>23130-062</b>	<b>23130-079</b>	<b>23130-077</b>	<b>23130-078</b>			
31	47	2200	600	800	20130-028	20130-078								
32	47	2200	800	800	20130-032	20130-082	<b>23130-061</b>	<b>23130-062</b>	<b>23130-079</b>	<b>23130-077</b>	<b>23130-078</b>			

**Other dimensions and configurations online (with basket) at [www.schroff.biz/conf](http://www.schroff.biz/conf)**

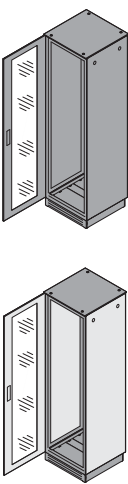
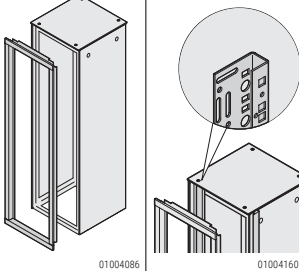
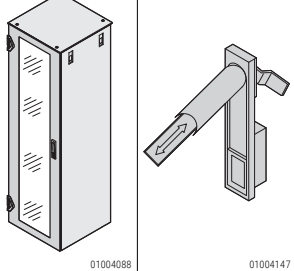
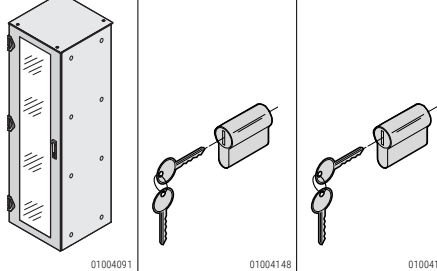
# Cabinets – Varistar Electronics

**VARISTAR IP 20**
**SIDE PANELS, REAR PANELS**
**ORDER INFORMATION**

					Side panel		Screw-fixed side panel	Rear panel		Screw-fixed rear panel
					With quick release fastener	Lock		With quick release fastener	Lock	
<p>Completely in RAL 7021 (black grey)</p> <p>Colour combination RAL 7035 (light grey)/RAL 7021 (black grey)</p>					<p>01004084</p>	<p>01004072</p>	<p>01004083</p>	<p>01004087</p>	<p>01004072</p>	<p>01004085</p>
					St, 1 mm, incl. GND/earthing, please order lock separately	for quick-release fasteners of one side panel; 4 locks sufficient for 2 side panels	St, 1 mm, incl. GND/earthing	St, 1 mm, incl. GND/earthing, please order lock separately	for quick-release fasteners of rear panel	St, 1 mm, incl. GND/earthing
No.	Cabinet dimensions				PU 2 pieces assembled	PU 4 pieces assembled	PU 2 pieces assembled	1 piece assembled	PU 2 pieces assembled	1 piece assembled
	U	mm	mm	mm						
<b>Completely in RAL 7021</b>					<b>RAL 7021</b>		<b>RAL 7021</b>	<b>RAL 7021</b>		<b>RAL 7021</b>
1	29	1400	600	600	21130-043		21130-003	21130-093	23130-133	21130-063
2	29	1400	600	800	21130-044	23130-132	21130-004	21130-093	23130-133	21130-063
3	33	1600	600	600	21130-045		21130-005	21130-095	23130-133	21130-065
4	33	1600	600	800	21130-046	23130-132	21130-006	21130-095	23130-133	21130-065
5	38	1800	600	600	21130-047		21130-007	21130-097	23130-133	21130-067
6	38	1800	600	800	21130-048	23130-132	21130-008	21130-097	23130-133	21130-067
7	38	1800	800	600	21130-047	23130-132	21130-007	21130-098	23130-133	21130-068
8	42	2000	600	300	21130-049	23130-132	21130-009	21130-099	23130-133	21130-069
9	42	2000	600	600	21130-050	23130-132	21130-010	21130-099	23130-133	21130-069
10	42	2000	600	800	21130-051	23130-132	21130-011	21130-099	23130-133	21130-069
11	42	2000	800	600	21130-050	23130-132	21130-010	21130-100	23130-133	21130-070
12	42	2000	800	800	21130-051	23130-132	21130-011	21130-100	23130-133	21130-070
13	47	2200	600	300	21130-054	23130-132	21130-014	21130-101	23130-133	21130-071
14	47	2200	600	600	21130-055	23130-132	21130-015	21130-101	23130-133	21130-071
15	47	2200	600	800	21130-056	23130-132	21130-016	21130-101	23130-133	21130-071
16	47	2200	800	800	21130-056	23130-132	21130-016	21130-102	23130-133	21130-072
<b>Colour combinations</b>					<b>RAL 7035</b>		<b>RAL 7035</b>	<b>RAL 7035</b>		<b>RAL 7035</b>
17	29	1400	600	600	22130-043		22130-003	22130-093	23130-133	22130-063
18	29	1400	600	800	22130-044	23130-132	22130-004	22130-093	23130-133	22130-063
19	33	1600	600	600	22130-045		22130-005	22130-095	23130-133	22130-065
20	33	1600	600	800	22130-046	23130-132	22130-006	22130-095	23130-133	22130-065
21	38	1800	600	600	22130-047		22130-007	22130-097	23130-133	22130-067
22	38	1800	600	800	22130-048	23130-132	22130-008	22130-097	23130-133	22130-067
23	38	1800	800	600	22130-047	23130-132	22130-007	22130-098	23130-133	22130-068
24	42	2000	600	300	22130-049	23130-132	22130-009	22130-099	23130-133	22130-069
25	42	2000	600	600	22130-050	23130-132	22130-010	22130-099	23130-133	22130-069
26	42	2000	600	800	22130-051	23130-132	22130-011	22130-099	23130-133	22130-069
27	42	2000	800	600	22130-050	23130-132	22130-010	22130-100	23130-133	22130-070
28	42	2000	800	800	22130-051	23130-132	22130-011	22130-100	23130-133	22130-070
29	47	2200	600	300	22130-054	23130-132	22130-014	22130-101	23130-133	22130-071
30	47	2200	600	600	22130-055	23130-132	22130-015	22130-101	23130-133	22130-071
31	47	2200	600	800	22130-056	23130-132	22130-016	22130-101	23130-133	22130-071
32	47	2200	800	800	22130-056	23130-132	22130-016	22130-102	23130-133	22130-072

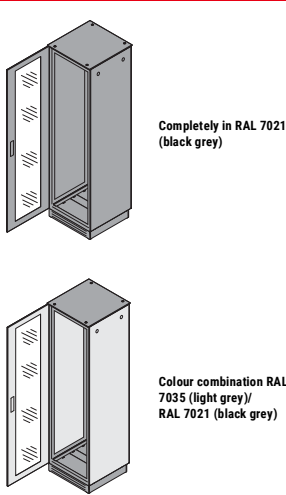
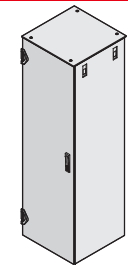
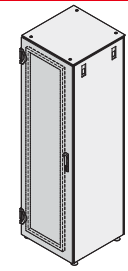
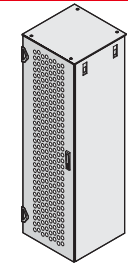
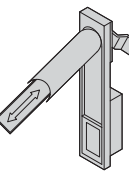

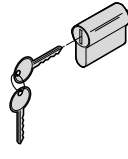
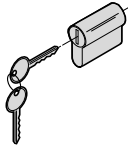
# Cabinets – Varistar Electronics

**VARISTAR IP 20**
**DECORATIVE FRAMES, GLAZED DOORS**
**ORDER INFORMATION**

					Deco frame		Glazed door		Glazed door		DIN profile half cylinder	
					Deco frame	Adapter bracket	Single point locking	Lever handle	3-point locking	DIN profile half cylinder	DIN profile half cylinder	
 <p>Completely in RAL 7021 (black grey)</p> <p>Colour combination RAL 7035 (light grey)/RAL 7021 (black grey)</p>					 <p>Al, 19° plane integrated, front open, incl. GND/earthing, no door can be fitted</p> <p>St, 2 mm, for deco frame, for assembly of slide rails and shelves</p>		 <p>St, 1.5 mm, Sekurit glass 6 mm, opening angle 180°, lock cover, incl. GND/earthing</p> <p>with push button for doors with single point locking</p>		 <p>St, 1.5 mm, Sekurit glass, 6 mm, opening angle 180°, lever handle with push button, incl. GND/earthing</p> <p>for lever handle, common locking, key type 333</p> <p>for lever handle, common locking, key type 2233</p>			
Cabinet dimensions					1 piece assembled	PU 1 pair assembled	1 piece assembled	1 piece assembled	1 piece assembled	1 piece assembled	1 piece assembled	
No.	Height U	Width mm	Depth mm									
Completely in RAL 7021					RAL 7021	RAL 7021	RAL 7021		RAL 7021			
1	29	1400	600	600	21130-232	23130-221	21130-123	<b>23130-067</b>	21130-183	<b>25127-995</b>	<b>60130-402</b>	
2	29	1400	600	800								
3	33	1600	600	600	21130-233	23130-222	21130-125	<b>23130-067</b>	21130-185	<b>25127-995</b>	<b>60130-402</b>	
4	33	1600	600	800								
5	38	1800	600	600	21130-234	23130-223	21130-127	<b>23130-067</b>	21130-187	<b>25127-995</b>	<b>60130-402</b>	
6	38	1800	600	800								
7	38	1800	800	600	-	-	21130-128	<b>23130-067</b>	21130-188	<b>25127-995</b>	<b>60130-402</b>	
8	42	2000	600	300	21130-235	<b>23130-224</b>	21130-129	<b>23130-067</b>	21130-189	<b>25127-995</b>	<b>60130-402</b>	
9	42	2000	600	600								
10	42	2000	600	800	21130-235	<b>23130-224</b>	21130-129	<b>23130-067</b>	21130-189	<b>25127-995</b>	<b>60130-402</b>	
11	42	2000	800	600								
12	42	2000	800	800	-	-	21130-130	<b>23130-067</b>	21130-190	<b>25127-995</b>	<b>60130-402</b>	
13	47	2200	600	300	21130-236	23130-225	21130-131	<b>23130-067</b>	21130-191	<b>25127-995</b>	<b>60130-402</b>	
14	47	2200	600	600								
15	47	2200	600	800	21130-236	23130-225	21130-131	<b>23130-067</b>	21130-191	<b>25127-995</b>	<b>60130-402</b>	
16	47	2200	800	800	-	-	21130-132	<b>23130-067</b>	21130-192	<b>25127-995</b>	<b>60130-402</b>	
Colour combinations					RAL 7035	RAL 7035	RAL 7035		RAL 7035			
17	29	1400	600	600	22130-232	23130-231	22130-123	<b>23130-067</b>	22130-183	<b>25127-995</b>	<b>60130-402</b>	
18	29	1400	600	800								
19	33	1600	600	600	22130-233	23130-232	22130-125	<b>23130-067</b>	22130-185	<b>25127-995</b>	<b>60130-402</b>	
20	33	1600	600	800								
21	38	1800	600	600	22130-234	23130-233	22130-127	<b>23130-067</b>	22130-187	<b>25127-995</b>	<b>60130-402</b>	
22	38	1800	600	800								
23	38	1800	800	600	-	-	22130-128	<b>23130-067</b>	22130-188	<b>25127-995</b>	<b>60130-402</b>	
24	42	2000	600	300	22130-235	23130-234	22130-129	<b>23130-067</b>	22130-189	<b>25127-995</b>	<b>60130-402</b>	
25	42	2000	600	600								
26	42	2000	600	800	22130-235	23130-234	22130-129	<b>23130-067</b>	22130-189	<b>25127-995</b>	<b>60130-402</b>	
27	42	2000	800	600								
28	42	2000	800	800	-	-	22130-130	<b>23130-067</b>	22130-190	<b>25127-995</b>	<b>60130-402</b>	
29	47	2200	600	300	22130-236	23130-235	22130-131	<b>23130-067</b>	22130-191	<b>25127-995</b>	<b>60130-402</b>	
30	47	2200	600	600								
31	47	2200	600	800	22130-236	23130-235	22130-131	<b>23130-067</b>	22130-191	<b>25127-995</b>	<b>60130-402</b>	
32	47	2200	800	800	-	-	22130-132	<b>23130-067</b>	22130-192	<b>25127-995</b>	<b>60130-402</b>	

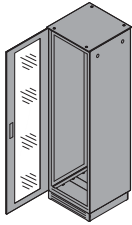
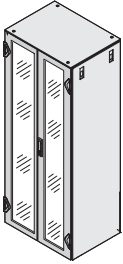
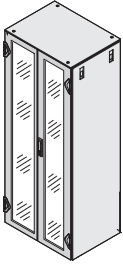
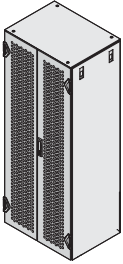
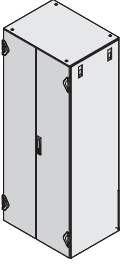
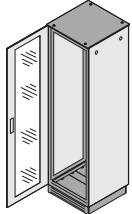
# Cabinets – Varistar Electronics

**VARISTAR IP 20**
**STEEL DOORS**
**ORDER INFORMATION**

					Steel door, single point locking				Steel door 3-point locking	DIN profile half cylinder	DIN profile half cylinder
					Plain	Solid, inner surface with mounting frame	Perforated	Lever handle			
 <p>Completely in RAL 7021 (black grey)</p> <p>Colour combination RAL 7035 (light grey)/RAL 7021 (black grey)</p>					 01004089 St, 1 mm, opening angle 180°, key, incl. GND/earthing	 01008067 St, 1.5 mm, opening angle 180°, lock cover incl. GND/earthing, designed to carry extensive cut-outs and assemblies	 01004090 St, 1.5 mm, opening angle 180°, key, incl. GND/earthing	 01004147 with push button for doors with single point locking	 01008085 St, 1.5 mm, opening angle 180°, inner side with mounting frame, lever handle with built-in push button, incl. GND/earthing	 01004148 for lever handle, common locking, key type 333	 01004148 for lever handle, common locking, key type 2233
No.	Cabinet dimensions			1 piece assembled	1 piece assembled	1 piece assembled	1 piece assembled	1 piece assembled	1 piece assembled	1 piece assembled	1 piece assembled
	Height U	Width mm	Depth mm								
<b>Completely in RAL 7021</b>					<b>RAL 7021</b>	<b>RAL 7021</b>	<b>RAL 7021</b>		<b>RAL 7021</b>		
1	29	1400	600	600	21130-108	21130-568	21130-138	<b>23130-067</b>	21130-153	<b>25127-995</b>	<b>60130-402</b>
2	29	1400	600	800	21130-110	21130-570	21130-140	<b>23130-067</b>	21130-155	<b>25127-995</b>	<b>60130-402</b>
3	33	1600	600	600	21130-112	21130-572	21130-142	<b>23130-067</b>	21130-157	<b>25127-995</b>	<b>60130-402</b>
4	33	1600	600	800	21130-113	21130-573	21130-143	<b>23130-067</b>	21130-158	<b>25127-995</b>	<b>60130-402</b>
5	38	1800	600	600	21130-114	21130-574	21130-144	<b>23130-067</b>	21130-159	<b>25127-995</b>	<b>60130-402</b>
6	38	1800	600	800	21130-114	21130-574	21130-144	<b>23130-067</b>	21130-159	<b>25127-995</b>	<b>60130-402</b>
7	38	1800	800	600	21130-114	21130-574	21130-144	<b>23130-067</b>	21130-159	<b>25127-995</b>	<b>60130-402</b>
8	42	2000	600	300	21130-114	21130-574	21130-144	<b>23130-067</b>	21130-159	<b>25127-995</b>	<b>60130-402</b>
9	42	2000	600	600	21130-114	21130-574	21130-144	<b>23130-067</b>	21130-159	<b>25127-995</b>	<b>60130-402</b>
10	42	2000	600	800	21130-114	21130-574	21130-144	<b>23130-067</b>	21130-159	<b>25127-995</b>	<b>60130-402</b>
11	42	2000	800	600	21130-115	21130-575	21130-145	<b>23130-067</b>	21130-160	<b>25127-995</b>	<b>60130-402</b>
12	42	2000	800	800	21130-115	21130-575	21130-145	<b>23130-067</b>	21130-160	<b>25127-995</b>	<b>60130-402</b>
13	47	2200	600	300	21130-116	21130-576	21130-146	<b>23130-067</b>	21130-161	<b>25127-995</b>	<b>60130-402</b>
14	47	2200	600	600	21130-116	21130-576	21130-146	<b>23130-067</b>	21130-161	<b>25127-995</b>	<b>60130-402</b>
15	47	2200	600	800	21130-116	21130-576	21130-146	<b>23130-067</b>	21130-161	<b>25127-995</b>	<b>60130-402</b>
16	47	2200	800	800	21130-117	21130-577	21130-147	<b>23130-067</b>	21130-162	<b>25127-995</b>	<b>60130-402</b>
<b>Colour combinations</b>					<b>RAL 7035</b>	<b>RAL 7035</b>	<b>RAL 7035</b>		<b>RAL 7035</b>		
17	29	1400	600	600	22130-108	22130-568	22130-138	<b>23130-067</b>	22130-153	<b>25127-995</b>	<b>60130-402</b>
18	29	1400	600	800	22130-110	22130-570	22130-140	<b>23130-067</b>	22130-155	<b>25127-995</b>	<b>60130-402</b>
19	33	1600	600	600	22130-112	22130-572	22130-142	<b>23130-067</b>	22130-157	<b>25127-995</b>	<b>60130-402</b>
20	33	1600	600	800	22130-113	22130-573	22130-143	<b>23130-067</b>	22130-158	<b>25127-995</b>	<b>60130-402</b>
21	38	1800	600	600	22130-114	22130-574	22130-144	<b>23130-067</b>	22130-159	<b>25127-995</b>	<b>60130-402</b>
22	38	1800	600	800	22130-114	22130-574	22130-144	<b>23130-067</b>	22130-159	<b>25127-995</b>	<b>60130-402</b>
23	38	1800	800	600	22130-114	22130-574	22130-144	<b>23130-067</b>	22130-159	<b>25127-995</b>	<b>60130-402</b>
24	42	2000	600	300	22130-114	22130-574	22130-144	<b>23130-067</b>	22130-159	<b>25127-995</b>	<b>60130-402</b>
25	42	2000	600	600	22130-114	22130-574	22130-144	<b>23130-067</b>	22130-159	<b>25127-995</b>	<b>60130-402</b>
26	42	2000	600	800	22130-114	22130-574	22130-144	<b>23130-067</b>	22130-159	<b>25127-995</b>	<b>60130-402</b>
27	42	2000	800	600	22130-115	22130-575	22130-145	<b>23130-067</b>	22130-160	<b>25127-995</b>	<b>60130-402</b>
28	42	2000	800	800	22130-115	22130-575	22130-145	<b>23130-067</b>	22130-160	<b>25127-995</b>	<b>60130-402</b>
29	47	2200	600	300	22130-116	22130-576	22130-146	<b>23130-067</b>	22130-161	<b>25127-995</b>	<b>60130-402</b>
30	47	2200	600	600	22130-116	22130-576	22130-146	<b>23130-067</b>	22130-161	<b>25127-995</b>	<b>60130-402</b>
31	47	2200	600	800	22130-116	22130-576	22130-146	<b>23130-067</b>	22130-161	<b>25127-995</b>	<b>60130-402</b>
32	47	2200	800	800	22130-117	22130-577	22130-147	<b>23130-067</b>	22130-162	<b>25127-995</b>	<b>60130-402</b>

# Cabinets – Varistar Electronics

**VARISTAR IP 20**
**DOUBLE DOORS**
**ORDER INFORMATION**

						Double door, 3-point locking			DIN profile half cylinder		
						Glazed	Perforated	Plain			
 <p>Completely in RAL 7021 (black grey)</p>  <p>Colour combination RAL 7035 (light grey) / RAL 7021 (black grey)</p>						 <p>01005065</p>			 <p>01005066</p>	 <p>01005064</p>	 <p>01004148</p>
						frame, St, 1.5 mm, Securit glass, 6 mm, opening angle 180°, lever handle with push button, incl. GND/earthing	St, 1.5 mm, opening angle 180°, lever handle with push button, incl. GND/earthing	St, 1.5 mm, opening angle 180°, lever handle with push button, incl. GND/earthing	for lever handle, common locking		
Cabinet dimensions						1 piece assembled	1 piece assembled	1 piece assembled	1 piece assembled		
No.	Height U	Width mm	Depth mm			RAL 7021	RAL 7021	RAL 7021	RAL 7021		
<b>Completely in RAL 7021</b>											
1	29	1400	600	600		<b>21130-454</b>	<b>21130-213</b>	<b>21130-486</b>	<b>25127-995</b>		
2	29	1400	600	800							
3	33	1600	600	600		<b>21130-456</b>	<b>21130-215</b>	<b>21130-488</b>	<b>25127-995</b>		
4	33	1600	600	800							
5	38	1800	600	600		<b>21130-458</b>	<b>21130-217</b>	<b>21130-490</b>	<b>25127-995</b>		
6	38	1800	600	800							
7	38	1800	800	600		<b>21130-459</b>	<b>21130-218</b>	<b>21130-491</b>	<b>25127-995</b>		
8	42	2000	600	300		<b>21130-460</b>	<b>21130-219</b>	<b>21130-492</b>	<b>25127-995</b>		
9	42	2000	600	600		<b>21130-460</b>	<b>21130-219</b>	<b>21130-492</b>	<b>25127-995</b>		
10	42	2000	600	800							
11	42	2000	800	600		<b>21130-461</b>	<b>21130-220</b>	<b>21130-493</b>	<b>25127-995</b>		
12	42	2000	800	800							
13	47	2200	600	300		<b>21130-462</b>	<b>21130-221</b>	21130-494	<b>25127-995</b>		
14	47	2200	600	600		<b>21130-462</b>	<b>21130-221</b>	21130-494	<b>25127-995</b>		
15	47	2200	600	800							
16	47	2200	800	800		<b>21130-463</b>	<b>21130-222</b>	<b>21130-495</b>	<b>25127-995</b>		
<b>Colour combinations</b>						<b>RAL 7035</b>	<b>RAL 7035</b>	<b>RAL 7035</b>			
17	29	1400	600	600		22130-454	<b>22130-213</b>	<b>22130-486</b>	<b>25127-995</b>		
18	29	1400	600	800							
19	33	1600	600	600		22130-456	<b>22130-215</b>	<b>22130-488</b>	<b>25127-995</b>		
20	33	1600	600	800							
21	38	1800	600	600		22130-458	<b>22130-217</b>	<b>22130-490</b>	<b>25127-995</b>		
22	38	1800	600	800							
23	38	1800	800	600		<b>22130-459</b>	<b>22130-218</b>	<b>22130-491</b>	<b>25127-995</b>		
24	42	2000	600	300		<b>22130-460</b>	<b>22130-219</b>	<b>22130-492</b>	<b>25127-995</b>		
25	42	2000	600	600		<b>22130-460</b>	<b>22130-219</b>	<b>22130-492</b>	<b>25127-995</b>		
26	42	2000	600	800							
27	42	2000	800	600		<b>22130-461</b>	<b>22130-220</b>	<b>22130-493</b>	<b>25127-995</b>		
28	42	2000	800	800							
29	47	2200	600	300		<b>22130-462</b>	<b>22130-221</b>	<b>22130-494</b>	<b>25127-995</b>		
30	47	2200	600	600		<b>22130-462</b>	<b>22130-221</b>	<b>22130-494</b>	<b>25127-995</b>		
31	47	2200	600	800							
32	47	2200	800	800		<b>22130-463</b>	<b>22130-222</b>	<b>22130-495</b>	<b>25127-995</b>		



# Cabinets – Varistar Electronics

**VARISTAR IP 20**
**FLAT TOP COVERS, LIFTING EYES**
**ORDER INFORMATION**

					Flat top cover		Spacer		
					Plain flush top cover	Perforated	Lifting eye	Spacer	Lifting eye
<p>Completely in RAL 7021 (black grey)</p>					<p>01004096</p>	<p>01004097</p>	<p>01004100</p>	<p>01004099</p>	<p>01004100</p>
<p>Colour combination RAL 7035 (light grey)/RAL 7021 (black grey)</p>					St, 1.5 mm, incl. GND/earthing	St, 1.5 mm, fully perforated, incl. GND/earthing	for top cover, applications and load in accordance with DIN 582	St, zinc-plated, for raising a top cover by 10 mm	for raised flat top cover, application and static load-carrying capacity in accordance with DIN 582
No.	Cabinet dimensions			1 piece assembled	1 piece assembled	PU 4 pieces assembled	PU 4 pieces assembled	PU 4 pieces assembled	
	Height U	Width mm	Depth mm						
<b>Completely in RAL 7021</b>					<b>RAL 7021</b>	<b>RAL 7021</b>			
1	29	1400	600	600	21130-242	21130-262	<b>23130-072</b>	<b>23130-068</b>	<b>23130-085</b>
2	29	1400	600	800	21130-243	21130-263			
3	33	1600	600	600	21130-242	21130-262	<b>23130-072</b>	<b>23130-068</b>	<b>23130-085</b>
4	33	1600	600	800	21130-243	21130-263			
5	38	1800	600	600	21130-242	21130-262	<b>23130-072</b>	<b>23130-068</b>	<b>23130-085</b>
6	38	1800	600	800	21130-243	21130-263			
7	38	1800	800	600	21130-246	21130-266	<b>23130-072</b>	<b>23130-068</b>	<b>23130-085</b>
8	42	2000	600	300	21130-241	21130-261	<b>23130-072</b>	<b>23130-068</b>	<b>23130-085</b>
9	42	2000	600	600	21130-242	21130-262	<b>23130-072</b>	<b>23130-068</b>	<b>23130-085</b>
10	42	2000	600	800	21130-243	21130-263			
11	42	2000	800	600	21130-246	21130-266	<b>23130-072</b>	<b>23130-068</b>	<b>23130-085</b>
12	42	2000	800	800	21130-247	21130-267			
13	47	2200	600	300	21130-241	21130-261	<b>23130-072</b>	<b>23130-068</b>	<b>23130-085</b>
14	47	2200	600	600	21130-242	21130-262	<b>23130-072</b>	<b>23130-068</b>	<b>23130-085</b>
15	47	2200	600	800	21130-243	21130-263			
16	47	2200	800	800	21130-247	21130-267	<b>23130-072</b>	<b>23130-068</b>	<b>23130-085</b>
<b>Colour combinations</b>					<b>RAL 7021</b>	<b>RAL 7021</b>			
17	29	1400	600	600	21130-242	21130-262	<b>23130-072</b>	<b>23130-068</b>	<b>23130-085</b>
18	29	1400	600	800	21130-243	21130-263			
19	33	1600	600	600	21130-242	21130-262	<b>23130-072</b>	<b>23130-068</b>	<b>23130-085</b>
20	33	1600	600	800	21130-243	21130-263			
21	38	1800	600	600	21130-242	21130-262	<b>23130-072</b>	<b>23130-068</b>	<b>23130-085</b>
22	38	1800	600	800	21130-243	21130-263			
23	38	1800	800	600	21130-246	21130-266	<b>23130-072</b>	<b>23130-068</b>	<b>23130-085</b>
24	42	2000	600	300	21130-241	21130-261	<b>23130-072</b>	<b>23130-068</b>	<b>23130-085</b>
25	42	2000	600	600	21130-242	21130-262	<b>23130-072</b>	<b>23130-068</b>	<b>23130-085</b>
26	42	2000	600	800	21130-243	21130-263			
27	42	2000	800	600	21130-246	21130-266	<b>23130-072</b>	<b>23130-068</b>	<b>23130-085</b>
28	42	2000	800	800	21130-247	21130-267			
29	47	2200	600	300	21130-241	21130-261	<b>23130-072</b>	<b>23130-068</b>	<b>23130-085</b>
30	47	2200	600	600	21130-242	21130-262	<b>23130-072</b>	<b>23130-068</b>	<b>23130-085</b>
31	47	2200	600	800	21130-243	21130-263			
32	47	2200	800	800	21130-247	21130-267	<b>23130-072</b>	<b>23130-068</b>	<b>23130-085</b>



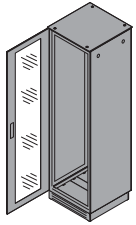
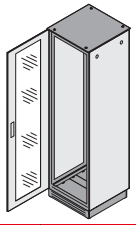
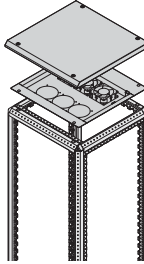
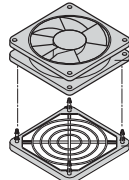
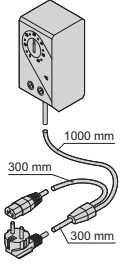
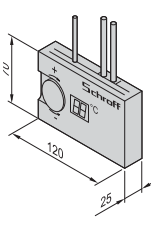
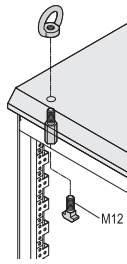
# Cabinets – Varistar Electronics

**VARISTAR IP 20**
**FLAT TOP COVER ASSEMBLIES WITH CUT-OUT ZONES**
**ORDER INFORMATION**

						Flat top cover with cut-out zones	Top cover assemblies					
							Brush strip	Fan insert	Thermostat	Top cover plate, perforated	Edge protection	Lifting eye
<p>Completely in RAL 7021 (black grey)</p> <p>Colour combination RAL 7035 (light grey)/RAL 7021 (black grey)</p>						<p>01004098</p> <p>St, 1.5 mm, incl. GND/earthing, number of cut-outs and dimension drawings see page 1.9</p>	<p>01006092</p> <p>nylon, black, one brush strip covers a lateral cut-out, two brush strips cover a center cut-out</p>	<p>01004102</p> <p>230 V<sub>AC</sub>, with three fans, 410 m<sup>3</sup>/h, completely wired, connecting cable IEC 320</p>	<p>01108052</p> <p>with mains cable 230 V<sub>AC</sub> (SCHUKO/UTE plug/IEC 60320 C13 socket), adjustment range 0 ... 60°C</p>	<p>01009056</p> <p>St, 1.5 mm, 6 mm hole diameter, incl. GND/earthing</p>	<p>41003065</p> <p>PVC, 3 m, black, for open cut-out zones</p>	<p>01004100</p> <p>for top cover, applications and load in accordance with DIN 582</p>
Cabinet dimensions						1 piece assembled	PU 2 pieces assembled	1 piece assembled	1 piece assembled	1 piece assembled	1 piece enclosed loose	PU 4 pieces assembled
No.	Height U	Width mm	Depth mm	mm	mm							
Completely in RAL 7021						RAL 7021	RAL 7021		RAL 7021			
1	29	1400	600	600	600	21130-252	<b>23130-069</b>	<b>23130-070</b>	<b>20118-750</b>	<b>23130-071</b>	<b>28127-281</b>	<b>23130-072</b>
2	29	1400	600	800	800	21130-253						
3	33	1600	600	600	600	21130-252	<b>23130-069</b>	<b>23130-070</b>	<b>20118-750</b>	<b>23130-071</b>	<b>28127-281</b>	<b>23130-072</b>
4	33	1600	600	800	800	21130-253						
5	38	1800	600	600	600	21130-252	<b>23130-069</b>	<b>23130-070</b>	<b>20118-750</b>	<b>23130-071</b>	<b>28127-281</b>	<b>23130-072</b>
6	38	1800	600	800	800	21130-253						
7	38	1800	800	600	600	21130-256	<b>23130-069</b>	<b>23130-070</b>	<b>20118-750</b>	<b>23130-071</b>	<b>28127-281</b>	<b>23130-072</b>
8	42	2000	600	300	300	-	-	-	-	-	-	-
9	42	2000	600	600	600	21130-252	<b>23130-069</b>	<b>23130-070</b>	<b>20118-750</b>	<b>23130-071</b>	<b>28127-281</b>	<b>23130-072</b>
10	42	2000	600	800	800	21130-253						
11	42	2000	800	600	600	21130-256	<b>23130-069</b>	<b>23130-070</b>	<b>20118-750</b>	<b>23130-071</b>	<b>28127-281</b>	<b>23130-072</b>
12	42	2000	800	800	800	21130-257						
13	47	2200	600	300	300	-	-	-	-	-	-	-
14	47	2200	600	600	600	21130-252	<b>23130-069</b>	<b>23130-070</b>	<b>20118-750</b>	<b>23130-071</b>	<b>28127-281</b>	<b>23130-072</b>
15	47	2200	600	800	800	21130-253						
16	47	2200	800	800	800	21130-257	<b>23130-069</b>	<b>23130-070</b>	<b>20118-750</b>	<b>23130-071</b>	<b>28127-281</b>	<b>23130-072</b>
Colour combinations						RAL 7021	RAL 7021		RAL 7021			
17	29	1400	600	600	600	21130-252	<b>23130-069</b>	<b>23130-070</b>	<b>20118-750</b>	<b>23130-071</b>	<b>28127-281</b>	<b>23130-072</b>
18	29	1400	600	800	800	21130-253						
19	33	1600	600	600	600	21130-252	<b>23130-069</b>	<b>23130-070</b>	<b>20118-750</b>	<b>23130-071</b>	<b>28127-281</b>	<b>23130-072</b>
20	33	1600	600	800	800	21130-253						
21	38	1800	600	600	600	21130-252	<b>23130-069</b>	<b>23130-070</b>	<b>20118-750</b>	<b>23130-071</b>	<b>28127-281</b>	<b>23130-072</b>
22	38	1800	600	800	800	21130-253						
23	38	1800	800	600	600	21130-256	<b>23130-069</b>	<b>23130-070</b>	<b>20118-750</b>	<b>23130-071</b>	<b>28127-281</b>	<b>23130-072</b>
24	42	2000	600	300	300	-	-	-	-	-	-	-
25	42	2000	600	600	600	21130-252	<b>23130-069</b>	<b>23130-070</b>	<b>20118-750</b>	<b>23130-071</b>	<b>28127-281</b>	<b>23130-072</b>
26	42	2000	600	800	800	21130-253						
27	42	2000	800	600	600	21130-256	<b>23130-069</b>	<b>23130-070</b>	<b>20118-750</b>	<b>23130-071</b>	<b>28127-281</b>	<b>23130-072</b>
28	42	2000	800	800	800	21130-257						
29	47	2200	600	300	300	-	-	-	-	-	-	-
30	47	2200	600	600	600	21130-252	<b>23130-069</b>	<b>23130-070</b>	<b>20118-750</b>	<b>23130-071</b>	<b>28127-281</b>	<b>23130-072</b>
31	47	2200	600	800	800	21130-253						
32	47	2200	800	800	800	21130-257	<b>23130-069</b>	<b>23130-070</b>	<b>20118-750</b>	<b>23130-071</b>	<b>28127-281</b>	<b>23130-072</b>

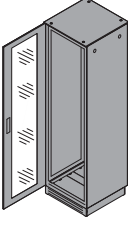

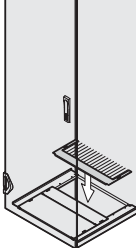
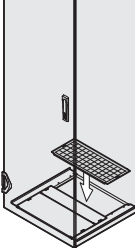
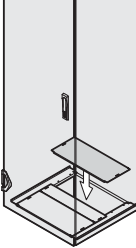

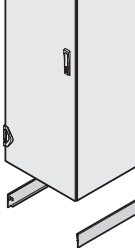
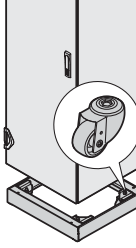
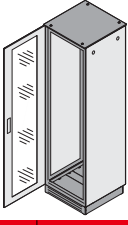
# Cabinets – Varistar Electronics

**VARISTAR IP 20**
**FAN TOP COVERS**
**ORDER INFORMATION**

					Fan top cover				
					Top cover for 6 fans	Replacement fan for fan top	Thermostat	Speed control	Lifting eye
 <p>Completely in RAL 7021 (black grey)</p>  <p>Colour combination RAL 7035 (light grey)/RAL 7021 (black grey)</p>					 <p>01005060</p>	 <p>ksa44844</p>	 <p>01108052</p>	 <p>01105055</p>	 <p>01005085</p>
					St, 1.5 mm, raised cover, 3 axial fans, 230 V <sub>AC</sub> , incl. cabling and GN D/earthing, connecting cable 2.5 m, SCHUKO/IEC60320 C12 plug	fan with grille for top assembly, 230 V <sub>AC</sub> , 38x119x119 mm, for 50 Hz, 162 m <sup>3</sup> /h	with mains cable 230 V <sub>AC</sub> (SCHUKO/UTE plug/IEC 60320 C13 socket), adjustment range 0 ... 60°C	fully wired, 90 ... 264 V <sub>AC</sub> , input SCHUKO/UTE plug, outlet IEC 60320 C13 socket, external NTC sensor 1.5 m	for fan top cover, applications and static load-carrying capacity in accordance with DIN 582
Cabinet dimensions									
No.	U	mm	mm	mm	1 piece assembled	1 piece assembled	1 piece assembled	1 piece assembled	PU 4 pieces assembled
Completely in RAL 7021					RAL 7021				
1	29	1400	600	600	21130-400	<b>23130-165</b>	<b>20118-750</b>	<b>60715-005</b>	23130-090
2	29	1400	600	800	21130-401	<b>23130-165</b>	<b>20118-750</b>	<b>60715-005</b>	23130-090
3	33	1600	600	600	21130-400	<b>23130-165</b>	<b>20118-750</b>	<b>60715-005</b>	23130-090
4	33	1600	600	800	21130-401	<b>23130-165</b>	<b>20118-750</b>	<b>60715-005</b>	23130-090
5	38	1800	600	600	21130-400	<b>23130-165</b>	<b>20118-750</b>	<b>60715-005</b>	23130-090
6	38	1800	600	800	21130-401	<b>23130-165</b>	<b>20118-750</b>	<b>60715-005</b>	23130-090
7	38	1800	800	600	21130-402	<b>23130-165</b>	<b>20118-750</b>	<b>60715-005</b>	23130-090
8	42	2000	600	300	–	–	–	–	–
9	42	2000	600	600	21130-400	<b>23130-165</b>	<b>20118-750</b>	<b>60715-005</b>	23130-090
10	42	2000	600	800	21130-401	<b>23130-165</b>	<b>20118-750</b>	<b>60715-005</b>	23130-090
11	42	2000	800	600	21130-402	<b>23130-165</b>	<b>20118-750</b>	<b>60715-005</b>	23130-090
12	42	2000	800	800	21130-403	<b>23130-165</b>	<b>20118-750</b>	<b>60715-005</b>	23130-090
13	47	2200	600	300	–	–	–	–	–
14	47	2200	600	600	21130-400	<b>23130-165</b>	<b>20118-750</b>	<b>60715-005</b>	23130-090
15	47	2200	600	800	21130-401	<b>23130-165</b>	<b>20118-750</b>	<b>60715-005</b>	23130-090
16	47	2200	800	800	21130-403	<b>23130-165</b>	<b>20118-750</b>	<b>60715-005</b>	23130-090
Colour combinations					RAL 7021				
17	29	1400	600	600	21130-400	<b>23130-165</b>	<b>20118-750</b>	<b>60715-005</b>	23130-090
18	29	1400	600	800	21130-401	<b>23130-165</b>	<b>20118-750</b>	<b>60715-005</b>	23130-090
19	33	1600	600	600	21130-400	<b>23130-165</b>	<b>20118-750</b>	<b>60715-005</b>	23130-090
20	33	1600	600	800	21130-401	<b>23130-165</b>	<b>20118-750</b>	<b>60715-005</b>	23130-090
21	38	1800	600	600	21130-400	<b>23130-165</b>	<b>20118-750</b>	<b>60715-005</b>	23130-090
22	38	1800	600	800	21130-401	<b>23130-165</b>	<b>20118-750</b>	<b>60715-005</b>	23130-090
23	38	1800	800	600	21130-402	<b>23130-165</b>	<b>20118-750</b>	<b>60715-005</b>	23130-090
24	42	2000	600	300	–	–	–	–	–
25	42	2000	600	600	21130-400	<b>23130-165</b>	<b>20118-750</b>	<b>60715-005</b>	23130-090
26	42	2000	600	800	21130-401	<b>23130-165</b>	<b>20118-750</b>	<b>60715-005</b>	23130-090
27	42	2000	800	600	21130-402	<b>23130-165</b>	<b>20118-750</b>	<b>60715-005</b>	23130-090
28	42	2000	800	800	21130-403	<b>23130-165</b>	<b>20118-750</b>	<b>60715-005</b>	23130-090
29	47	2200	600	300	–	–	–	–	–
30	47	2200	600	600	21130-400	<b>23130-165</b>	<b>20118-750</b>	<b>60715-005</b>	23130-090
31	47	2200	600	800	21130-401	<b>23130-165</b>	<b>20118-750</b>	<b>60715-005</b>	23130-090
32	47	2200	800	800	21130-403	<b>23130-165</b>	<b>20118-750</b>	<b>60715-005</b>	23130-090

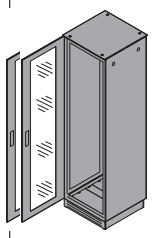
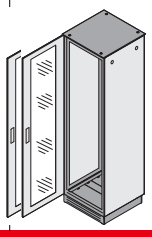
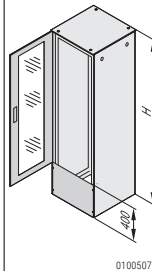
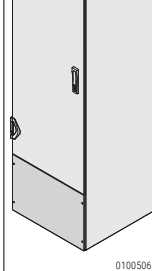
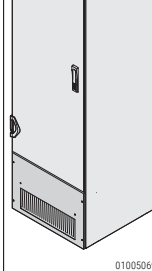
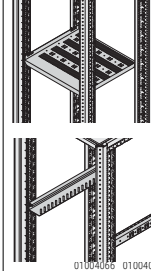
# Cabinets – Varistar Electronics

**VARISTAR IP 20**
**BASES/PLINTHS**
**ORDER INFORMATION**

					Base plate	Brush strip	Dust filter set	Cover plate	Base/plinth	Side covers	Base/plinth, mobile
					Base plate, multi-piece				Base/plinth, ventilated		
 <p>Completely in RAL 7021 (black grey)</p>					 <p>01004104</p>	 <p>01004105</p>	 <p>01004059</p>	 <p>01004106</p>	 <p>01004110</p>	 <p>01004053</p>	 <p>01004111</p>
 <p>Colour combination RAL 7035 (light grey)/RAL 7021 (black grey)</p>					<p>St, 1.5 mm, multi-piece, opening to rear 200 mm deep (no rear opening with 300 mm cabinet depth), incl. GND/earthing; dimension drawings see page 1.9</p>	<p>nylon, black</p>	<p>filter mat, white, class M1, in accordance with EN 799-G3</p>	<p>St, 1.5 mm, please order gasket IP55 separately</p>	<p>support with adjustable feet and 2 trims, perforated, static load-carrying capacity 1000 kg; please order side trims separately</p>	<p>St, 1.5 mm</p>	<p>support, St, 3 mm, trim, St, 1.5 mm, static load-carrying capacity on castors 400 kg, on adjustable feet 1000 kg</p>
No.	Cabinet dimensions				1 piece assembled	1 piece assembled	1 piece assembled	1 piece assembled	PU 1 kit assembled	PU 1 pair assembled	1 piece assembled
	Height U	Width mm	Depth mm	mm							
Completely in RAL 7021					RAL 7021	RAL 7021		RAL 7021	RAL 7021	RAL 7021	RAL 7021
1	29	1400	600	600	<b>23130-001</b>		<b>23130-075</b>	<b>23130-076</b>	<b>23130-187</b>	<b>23130-169</b>	23130-208
2	29	1400	600	800	<b>23130-002</b>	<b>23130-074</b>				<b>23130-170</b>	<b>23130-209</b>
3	33	1600	600	600	<b>23130-001</b>		<b>23130-075</b>	<b>23130-076</b>	<b>23130-187</b>	<b>23130-169</b>	23130-208
4	33	1600	600	800	<b>23130-002</b>	<b>23130-074</b>				<b>23130-170</b>	<b>23130-209</b>
5	38	1800	600	600	<b>23130-001</b>		<b>23130-075</b>	<b>23130-076</b>	<b>23130-187</b>	<b>23130-169</b>	23130-208
6	38	1800	600	800	<b>23130-002</b>	<b>23130-074</b>				<b>23130-170</b>	<b>23130-209</b>
7	38	1800	800	600	23130-005	<b>23130-134</b>	<b>23130-135</b>	<b>23130-136</b>	<b>23130-194</b>	<b>23130-169</b>	23130-212
8	42	2000	600	300	23130-009	<b>23130-074</b>	<b>23130-075</b>	-	<b>23130-187</b>	23130-166	-
9	42	2000	600	600	<b>23130-001</b>		<b>23130-075</b>	<b>23130-076</b>	<b>23130-187</b>	<b>23130-169</b>	23130-208
10	42	2000	600	800	<b>23130-002</b>	<b>23130-074</b>				<b>23130-170</b>	<b>23130-209</b>
11	42	2000	800	600	23130-005		<b>23130-135</b>			<b>23130-169</b>	23130-212
12	42	2000	800	800	23130-006	<b>23130-134</b>		<b>23130-136</b>	<b>23130-194</b>	<b>23130-170</b>	23130-213
13	47	2200	600	300	23130-009	<b>23130-074</b>	<b>23130-075</b>	-	<b>23130-187</b>	23130-166	-
14	47	2200	600	600	<b>23130-001</b>		<b>23130-075</b>	<b>23130-076</b>	<b>23130-187</b>	<b>23130-169</b>	23130-208
15	47	2200	600	800	<b>23130-002</b>	<b>23130-074</b>				<b>23130-170</b>	<b>23130-209</b>
16	47	2200	800	800	23130-006	<b>23130-134</b>	<b>23130-135</b>	<b>23130-136</b>	<b>23130-194</b>	<b>23130-170</b>	23130-213
Colour combinations					RAL 7021	RAL 7021		RAL 7021	RAL 7021	RAL 7021	RAL 7021
17	29	1400	600	600	<b>23130-001</b>		<b>23130-075</b>	<b>23130-076</b>	<b>23130-187</b>	<b>23130-169</b>	23130-208
18	29	1400	600	800	<b>23130-002</b>	<b>23130-074</b>				<b>23130-170</b>	<b>23130-209</b>
19	33	1600	600	600	<b>23130-001</b>		<b>23130-075</b>	<b>23130-076</b>	<b>23130-187</b>	<b>23130-169</b>	23130-208
20	33	1600	600	800	<b>23130-002</b>	<b>23130-074</b>				<b>23130-170</b>	<b>23130-209</b>
21	38	1800	600	600	<b>23130-001</b>		<b>23130-075</b>	<b>23130-076</b>	<b>23130-187</b>	<b>23130-169</b>	23130-208
22	38	1800	600	800	<b>23130-002</b>	<b>23130-074</b>				<b>23130-170</b>	<b>23130-209</b>
23	38	1800	800	600	23130-005	<b>23130-134</b>	<b>23130-135</b>	<b>23130-136</b>	<b>23130-194</b>	<b>23130-169</b>	23130-212
24	42	2000	600	300	23130-009	<b>23130-074</b>	<b>23130-075</b>	-	<b>23130-187</b>	23130-166	-
25	42	2000	600	600	<b>23130-001</b>		<b>23130-075</b>	<b>23130-076</b>	<b>23130-187</b>	<b>23130-169</b>	23130-208
26	42	2000	600	800	<b>23130-002</b>	<b>23130-074</b>				<b>23130-170</b>	<b>23130-209</b>
27	42	2000	800	600	23130-005		<b>23130-135</b>			<b>23130-169</b>	23130-212
28	42	2000	800	800	23130-006	<b>23130-134</b>		<b>23130-136</b>	<b>23130-194</b>	<b>23130-170</b>	23130-213
29	47	2200	600	300	23130-009	<b>23130-074</b>	<b>23130-075</b>	-	<b>23130-187</b>	23130-166	-
30	47	2200	600	600	<b>23130-001</b>		<b>23130-075</b>	<b>23130-076</b>	<b>23130-187</b>	<b>23130-169</b>	23130-208
31	47	2200	600	800	<b>23130-002</b>	<b>23130-074</b>				<b>23130-170</b>	<b>23130-209</b>
32	47	2200	800	800	23130-006	<b>23130-134</b>	<b>23130-135</b>	<b>23130-136</b>	<b>23130-194</b>	<b>23130-170</b>	23130-213

# Cabinets – Varistar Electronics

**VARISTAR IP 20**
**CONNECTING PLATES FOR SHORT DOORS/REAR PANELS**
**ORDER INFORMATION**

	Dimensioning connecting plate door/rear panel	Connecting plate for door and rear panel			Other VARISTAR interior mounting parts
		Plain	With brush strip	Assembly kit	
 <p>Completely in RAL 7021 (black grey)</p>  <p>Colour combination RAL 7035 (light grey)/RAL 7021 (black grey)</p>	 <p>01005071</p> <p>door and rear panel must be selected 400 mm shorter than the cabinet height; cannot be used with double door</p>	 <p>01005063</p> <p>St, 1 mm, assembly also possible at top, height 400 mm, please order assembly kit separately in conjunction with rear panel</p>	 <p>01005069</p> <p>St, 1 mm, assembly also possible at top, height 400 mm, please order assembly kit separately in conjunction with rear panel</p>	<p>only required if rear panel with quick-release fastener is assembled above the connecting plate</p>	 <p>01004055 01004056</p> <p>rack shelves, 19" shelves, slide rails, cable ducting</p>
<p>Height    Width</p> <p>mm        mm</p>		1 piece assembled	1 piece assembled	PU 1 kit assembled	
<b>Completely in RAL 7021</b>		<b>RAL 7021</b>	<b>RAL 7021</b>		
400    600		21130-472	21130-478	23130-164	from page 1.44
400    800		21130-473	21130-479	23130-164	
<b>Colour combinations</b>		<b>RAL 7035</b>	<b>RAL 7035</b>		
400    600		22130-472	22130-478	23130-164	from page 1.44
400    800		22130-473	22130-479	23130-164	

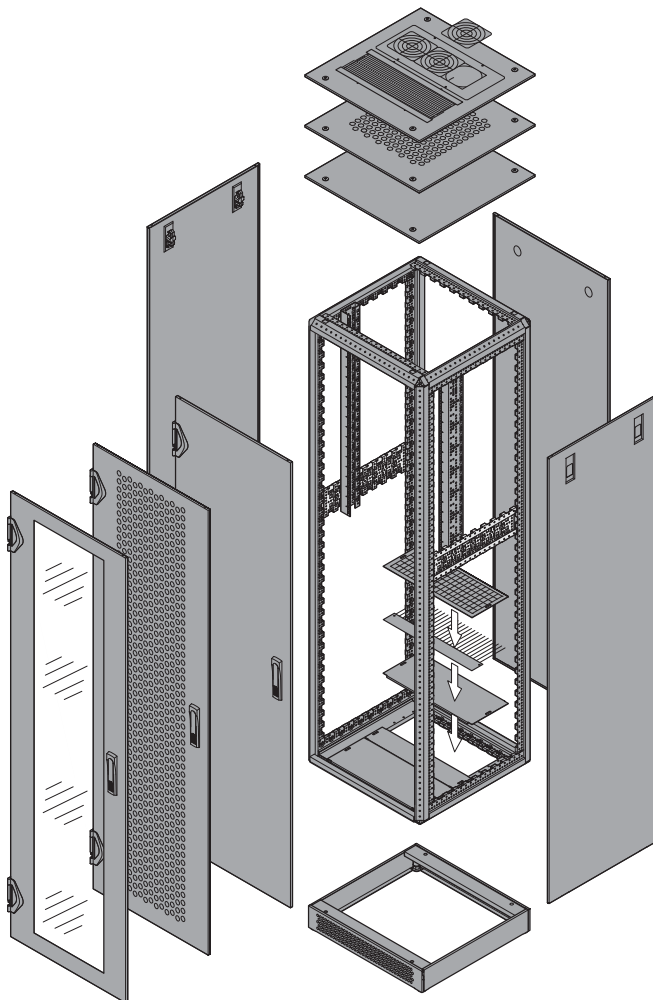
# Cabinets – Varistar Electronics



# Cabinets – Varistar Electronics

## VARISTAR IP 55 SERVICEPLUS: CONFIGURATION AND ASSEMBLY

- Dimensions:
  - Height: 29 ... 47 U (1400 ... 2200 mm)
  - Width: 600 and 800 mm
  - Depth: 300, 600 and 800 mm
- 2 colour combinations:
  - Frame and covers in black grey (RAL 7021)
  - Frame, top cover and base in black grey (RAL 7021); Side panel, door and rear panel in light grey (RAL 7035)
- Build your cabinet out of individual components (please suffix each part number with /05)
- Once you have selected the desired cabinet dimensions, the row number (first column of the configuration tables) will guide you through all subsequent configuration pages that apply to these dimensions (see example below)
- The cabinet is assembled by us and ready for despatch within 10 working days



01004077

Example configuration (here: row 10)

Qty	Description	Part no.
1	Frame Slim-Line, height 2000 mm, width 600 mm, depth 800 mm, 1 piece	20130-019/05
1	IP 55 gasketing kit, 1 piece	23130-064/05
1	Side panel, screw-fixed, RAL 7021, PU 2 pieces	21130-011/05
1	Rear panel, screw-fixed, RAL 7021, 1 piece	21130-069/05
1	Glazed door with 3-point locking, RAL 7021, IP 55, 1 piece	21130-189/05
1	Adjustable feet, PU 4 pieces	23130-079/05
...	.....	.....

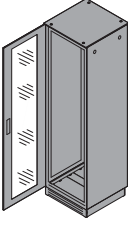
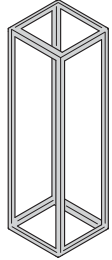
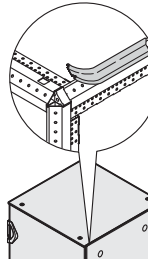
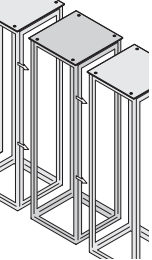
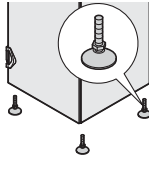
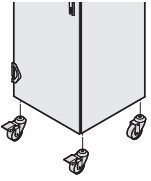
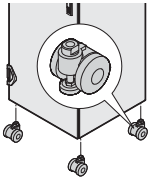
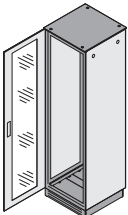
	Page
Frames, side-by-side mounting kits, adjustable feet, castors	1.40
Side panels, rear panels, doors, top covers	1.41
Flat top covers, lifting eyes	1.42
Connecting plates for short doors/rear panels	1.43

### Interior configuration for IP 20 and IP 55

19" panel/slide mounts	1.44
ETSI panel/slide mounts	1.45
Swing frames	1.46
Mounting plates, stationary shelves, 75 kg	1.47
Telescopic shelves, 70 kg	1.48
19" shelves 1 U, fixed 75 kg, telescopic 30 kg	1.49
19" telescopic shelves, 2 U, 70 kg	1.50
Slide rails, depth members	1.51
Cable ductings	1.52
Cable ties, Velcro	1.53

# Cabinets – Varistar Electronics

**VARISTAR IP 55**
**FRAMES, SIDE-BY-SIDE MOUNTING KITS, ADJUSTABLE FEET, CASTORS**
**ORDER INFORMATION**

	Frame		Gasket kit IP 55	Side-by-side mounting kit IP 55 (with gasketing)	Adjustable feet	Castors	
	Slim-Line 400 kg	Heavy-Duty 800 kg				with 2 jacking feet	with adjustable feet
 <p>Completely in RAL 7021 (black grey)</p>							
 <p>Colour combination RAL 7035 (light grey)/RAL 7021 (black grey)</p>	<p>static load-carrying capacity: 400 kg, St, 1.5 mm, zinc-plated, with central GND/earthing point; please order adjustable feet or castors separately</p>	<p>static load-carrying capacity: 800 kg, St, 1.5 mm, zinc-plated, with central GND/earthing point; please order adjustable feet or castors separately</p>	<p>seals are glued to the frame, so that all cladding parts conform to protection type IP 55</p>	<p>side-to-side mounting bracket (4 pieces), St, RAL 7021, incl. gasketing to cover the gap between two racks; cannot be used with decorative frame</p>	<p>for the frame, static load-carrying capacity: 100 kg, cannot be used with base/plinth</p>	<p>for the frame, static load-carrying capacity: 40 kg, cannot be used with base/plinth</p>	<p>for the frame, static load-carrying capacity: 40 kg, cannot be used with base/plinth</p>

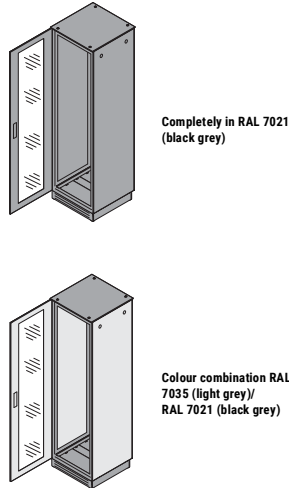

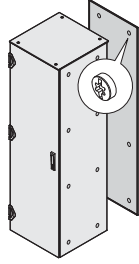


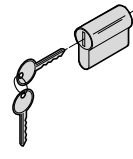

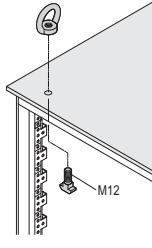
No.	Cabinet dimensions				1 piece assembled	1 piece assembled	PU 1 kit assembled	PU 1 kit supplied loose	PU 4 pieces assembled	PU 4 pieces	PU 4 pieces
	Height U	Width mm	Depth mm								
<b>Completely in RAL 7021</b>					<b>RAL 7021</b>	<b>RAL 7021</b>					
1	29	1400	600	600	20130-005	20130-055	<b>23130-064</b>	<b>23130-062</b>	<b>23130-079</b>	<b>23130-077</b>	<b>23130-078</b>
2	29	1400	600	800	20130-006	20130-056					
3	33	1600	600	600	20130-009	20130-059	<b>23130-064</b>	<b>23130-062</b>	<b>23130-079</b>	<b>23130-077</b>	<b>23130-078</b>
4	33	1600	600	800	20130-010	20130-060					
5	38	1800	600	600	20130-013	20130-063	<b>23130-064</b>	<b>23130-062</b>	<b>23130-079</b>	<b>23130-077</b>	<b>23130-078</b>
6	38	1800	600	800	20130-014	20130-064					
7	38	1800	800	600	20130-015	20130-065	<b>23130-064</b>	<b>23130-062</b>	<b>23130-079</b>	<b>23130-077</b>	<b>23130-078</b>
8	42	2000	600	300	20130-017	-	<b>23130-064</b>	<b>23130-062</b>	<b>23130-079</b>	<b>23130-077</b>	<b>23130-078</b>
9	42	2000	600	600	20130-018	20130-068	<b>23130-064</b>	<b>23130-062</b>	<b>23130-079</b>	<b>23130-077</b>	<b>23130-078</b>
10	42	2000	600	800	20130-019	20130-069					
11	42	2000	800	600	20130-022	20130-072	<b>23130-064</b>	<b>23130-062</b>	<b>23130-079</b>	<b>23130-077</b>	<b>23130-078</b>
12	42	2000	800	800	20130-023	20130-073					
13	47	2200	600	300	20130-026	-	<b>23130-064</b>	<b>23130-062</b>	<b>23130-079</b>	<b>23130-077</b>	<b>23130-078</b>
14	47	2200	600	600	20130-027	20130-077	<b>23130-064</b>	<b>23130-062</b>	<b>23130-079</b>	<b>23130-077</b>	<b>23130-078</b>
15	47	2200	600	800	20130-028	20130-078					
16	47	2200	800	800	20130-032	20130-082	<b>23130-064</b>	<b>23130-062</b>	<b>23130-079</b>	<b>23130-077</b>	<b>23130-078</b>
<b>Colour combinations</b>					<b>RAL 7021</b>	<b>RAL 7021</b>					
17	29	1400	600	600	20130-005	20130-055	<b>23130-064</b>	<b>23130-062</b>	<b>23130-079</b>	<b>23130-077</b>	<b>23130-078</b>
18	29	1400	600	800	20130-006	20130-056					
19	33	1600	600	600	20130-009	20130-059	<b>23130-064</b>	<b>23130-062</b>	<b>23130-079</b>	<b>23130-077</b>	<b>23130-078</b>
20	33	1600	600	800	20130-010	20130-060					
21	38	1800	600	600	20130-013	20130-063	<b>23130-064</b>	<b>23130-062</b>	<b>23130-079</b>	<b>23130-077</b>	<b>23130-078</b>
22	38	1800	600	800	20130-014	20130-064					
23	38	1800	800	600	20130-015	20130-065	<b>23130-064</b>	<b>23130-062</b>	<b>23130-079</b>	<b>23130-077</b>	<b>23130-078</b>
24	42	2000	600	300	20130-017	-	<b>23130-064</b>	<b>23130-062</b>	<b>23130-079</b>	<b>23130-077</b>	<b>23130-078</b>
25	42	2000	600	600	20130-018	20130-068	<b>23130-064</b>	<b>23130-062</b>	<b>23130-079</b>	<b>23130-077</b>	<b>23130-078</b>
26	42	2000	600	800	20130-019	20130-069					
27	42	2000	800	600	20130-022	20130-072	<b>23130-064</b>	<b>23130-062</b>	<b>23130-079</b>	<b>23130-077</b>	<b>23130-078</b>
28	42	2000	800	800	20130-023	20130-073					
29	47	2200	600	300	20130-026	-	<b>23130-064</b>	<b>23130-062</b>	<b>23130-079</b>	<b>23130-077</b>	<b>23130-078</b>
30	47	2200	600	600	20130-027	20130-077	<b>23130-064</b>	<b>23130-062</b>	<b>23130-079</b>	<b>23130-077</b>	<b>23130-078</b>
31	47	2200	600	800	20130-028	20130-078					
32	47	2200	800	800	20130-032	20130-082	<b>23130-064</b>	<b>23130-062</b>	<b>23130-079</b>	<b>23130-077</b>	<b>23130-078</b>

**Other dimensions and configurations online (with basket) at [www.schroff.biz/conf](http://www.schroff.biz/conf)**



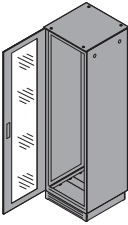
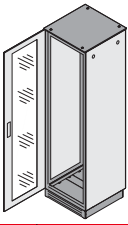

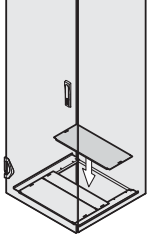
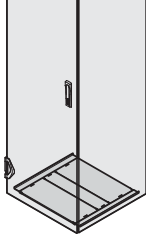
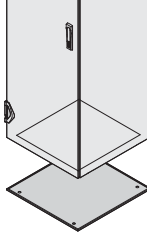
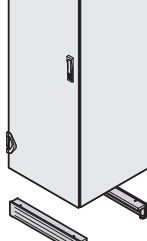
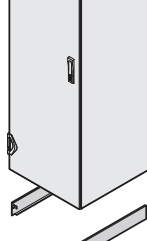
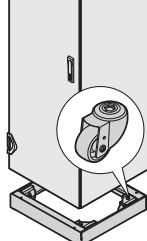
# Cabinets – Varistar Electronics

**VARISTAR IP 55**
**SIDE PANELS, REAR PANELS, DOORS, TOP COVERS**
**ORDER INFORMATION**

					Screw-fixed side panel	Screw-fixed rear panel	Glazed door 3-point locking	Steel door 3-point locking	DIN profile half cylinder	Plain flush top cover	Lifting eye
 <p>Completely in RAL 7021 (black grey)</p> <p>Colour combination RAL 7035 (light grey)/RAL 7021 (black grey)</p>					 <p>01004083</p> <p>St, 1 mm, incl. GND/earthing</p>	 <p>01004085</p> <p>St, 1 mm, incl. GND/earthing</p>	 <p>01004091</p> <p>St, 1.5 mm, Sekurit glass, 6 mm, opening angle 180°, lever handle with push button, incl. GND/earthing</p>	 <p>01008085</p> <p>St, 1.5 mm, opening angle 180°, inner side with mounting frame, lever handle with built-in push button, incl. GND/earthing</p>	 <p>01004148</p> <p>for lever handle, common locking</p>	 <p>01004096</p> <p>St, 1.5 mm, incl. GND/earthing</p>	 <p>01004100</p> <p>for top cover, applications and load in compliance with DIN 582</p>
No.	Cabinet dimensions				PU 2 pieces assembled	1 piece assembled	1 piece assembled	1 piece assembled	1 piece assembled	1 piece assembled	PU 4 pieces assembled
	U	Height mm	Width mm	Depth mm							
<b>Completely in RAL 7021</b>					<b>RAL 7021</b>	<b>RAL 7021</b>	<b>RAL 7021</b>	<b>RAL 7021</b>		<b>RAL 7021</b>	
1	29	1400	600	600	21130-003		21130-183	21130-153	<b>25127-995</b>	21130-242	<b>23130-072</b>
2	29	1400	600	800	21130-004	21130-063	21130-183	21130-153	<b>25127-995</b>	21130-243	<b>23130-072</b>
3	33	1600	600	600	21130-005		21130-185	21130-155	<b>25127-995</b>	21130-242	<b>23130-072</b>
4	33	1600	600	800	21130-006	21130-065	21130-185	21130-155	<b>25127-995</b>	21130-243	<b>23130-072</b>
5	38	1800	600	600	21130-007		21130-187	21130-157	<b>25127-995</b>	21130-242	<b>23130-072</b>
6	38	1800	600	800	21130-008	21130-067	21130-187	21130-157	<b>25127-995</b>	21130-243	<b>23130-072</b>
7	38	1800	800	600	21130-007	21130-068	21130-188	21130-158	<b>25127-995</b>	21130-246	<b>23130-072</b>
8	42	2000	600	300	21130-009	21130-069	21130-189	21130-159	<b>25127-995</b>	21130-241	<b>23130-072</b>
9	42	2000	600	600	21130-010	21130-069	21130-189	21130-159	<b>25127-995</b>	21130-242	<b>23130-072</b>
10	42	2000	600	800	21130-011	21130-069	21130-189	21130-159	<b>25127-995</b>	21130-243	<b>23130-072</b>
11	42	2000	800	600	21130-010		21130-190	21130-160	<b>25127-995</b>	21130-246	<b>23130-072</b>
12	42	2000	800	800	21130-011	21130-070	21130-190	21130-160	<b>25127-995</b>	21130-247	<b>23130-072</b>
13	47	2200	600	300	21130-014	21130-071	21130-191	21130-161	<b>25127-995</b>	21130-241	<b>23130-072</b>
14	47	2200	600	600	21130-015		21130-191	21130-161	<b>25127-995</b>	21130-242	<b>23130-072</b>
15	47	2200	600	800	21130-016	21130-071	21130-191	21130-161	<b>25127-995</b>	21130-243	<b>23130-072</b>
16	47	2200	800	800	21130-016	21130-072	21130-192	21130-162	<b>25127-995</b>	21130-247	<b>23130-072</b>
<b>Colour combinations</b>					<b>RAL 7035</b>	<b>RAL 7035</b>	<b>RAL 7035</b>	<b>RAL 7035</b>		<b>RAL 7021</b>	
17	29	1400	600	600	22130-003		22130-183	22130-153	<b>25127-995</b>	21130-242	<b>23130-072</b>
18	29	1400	600	800	22130-004	22130-063	22130-183	22130-153	<b>25127-995</b>	21130-243	<b>23130-072</b>
19	33	1600	600	600	22130-005		22130-185	22130-155	<b>25127-995</b>	21130-242	<b>23130-072</b>
20	33	1600	600	800	22130-006	22130-065	22130-185	22130-155	<b>25127-995</b>	21130-243	<b>23130-072</b>
21	38	1800	600	600	22130-007		22130-187	22130-157	<b>25127-995</b>	21130-242	<b>23130-072</b>
22	38	1800	600	800	22130-008	22130-067	22130-187	22130-157	<b>25127-995</b>	21130-243	<b>23130-072</b>
23	38	1800	800	600	22130-007	22130-068	22130-188	22130-158	<b>25127-995</b>	21130-246	<b>23130-072</b>
24	42	2000	600	300	22130-009	22130-069	22130-189	22130-159	<b>25127-995</b>	21130-241	<b>23130-072</b>
25	42	2000	600	600	22130-010	22130-069	22130-189	22130-159	<b>25127-995</b>	21130-242	<b>23130-072</b>
26	42	2000	600	800	22130-011	22130-069	22130-189	22130-159	<b>25127-995</b>	21130-243	<b>23130-072</b>
27	42	2000	800	600	22130-010		22130-190	22130-160	<b>25127-995</b>	21130-246	<b>23130-072</b>
28	42	2000	800	800	22130-011	22130-070	22130-190	22130-160	<b>25127-995</b>	21130-247	<b>23130-072</b>
29	47	2200	600	300	22130-014	22130-071	22130-191	22130-161	<b>25127-995</b>	21130-241	<b>23130-072</b>
30	47	2200	600	600	22130-015		22130-191	22130-161	<b>25127-995</b>	21130-242	<b>23130-072</b>
31	47	2200	600	800	22130-016	22130-071	22130-191	22130-161	<b>25127-995</b>	21130-243	<b>23130-072</b>
32	47	2200	800	800	22130-016	22130-072	22130-192	22130-162	<b>25127-995</b>	21130-247	<b>23130-072</b>

# Cabinets – Varistar Electronics

**VARISTAR IP 55**
**FLAT TOP COVERS, LIFTING EYES**
**ORDER INFORMATION**

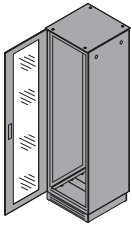
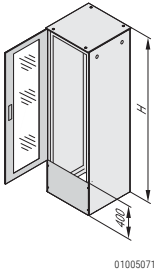
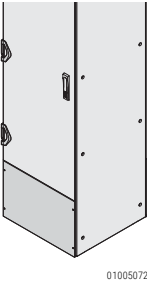
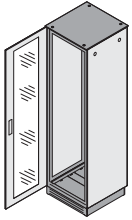
						Base plate	Cover plate	Seal IP 55	Base plate, one-piece, EMC, IP 55	Base/plinth	Side cover	Base/plinth, mobile
						Base plate, multi-piece				Base/plinth, ventilated		
 <p>Completely in RAL 7021 (black grey)</p>  <p>Colour combination RAL 7035 (light grey)/RAL 7021 (black grey)</p>						 <p>01004104</p> <p>St, 1.5 mm, multi-piece, opening to rear 200 mm deep (no rear opening with 300 mm cabinet depth), incl. GND/earthing, dimension drawings see page 1.9</p>	 <p>01004106</p> <p>St, 1.5 mm, please order gasket IP55 separately</p>	 <p>01004073</p> <p>for base plate with cover</p>	 <p>01004051</p> <p>AlZn, 1.5 mm, incl. GND/earthing, assembly from outside</p>	 <p>01004110</p> <p>support with adjustable feet and 2 trims, perforated, static load-carrying capacity 1000 kg; please order side trims separately</p>	 <p>01004053</p> <p>St, 1.5 mm</p>	 <p>01004111</p> <p>support, St, 3 mm, trim, St, 1.5 mm, static load-carrying capacity on castors 400 kg, on adjustable feet 1000 kg</p>
No.	Cabinet dimensions				1 piece assembled	1 piece assembled	1 piece assembled	1 piece assembled	PU 1 kit assembled	PU 1 pair assembled	1 piece assembled	
	Height U	Width mm	Depth mm	mm								
Completely in RAL 7021						RAL 7021	RAL 7021		AlZn	RAL 7021	RAL 7021	RAL 7021
1	29	1400	600	600	<b>23130-001</b>	<b>23130-076</b>	<b>23130-073</b>	21130-281	<b>23130-187</b>	<b>23130-169</b>	23130-208	
2	29	1400	600	800	<b>23130-002</b>	<b>23130-076</b>	<b>23130-073</b>	21130-282	<b>23130-187</b>	<b>23130-170</b>	23130-209	
3	33	1600	600	600	<b>23130-001</b>	<b>23130-076</b>	<b>23130-073</b>	21130-281	<b>23130-187</b>	<b>23130-169</b>	23130-208	
4	33	1600	600	800	<b>23130-002</b>	<b>23130-076</b>	<b>23130-073</b>	21130-282	<b>23130-187</b>	<b>23130-170</b>	<b>23130-209</b>	
5	38	1800	600	600	<b>23130-001</b>	<b>23130-076</b>	<b>23130-073</b>	21130-281	<b>23130-187</b>	<b>23130-169</b>	23130-208	
6	38	1800	600	800	<b>23130-002</b>	<b>23130-076</b>	<b>23130-073</b>	21130-282	<b>23130-187</b>	<b>23130-170</b>	<b>23130-209</b>	
7	38	1800	800	600	23130-005	<b>23130-036</b>	<b>23130-073</b>	21130-283	<b>23130-194</b>	<b>23130-169</b>	23130-212	
8	42	2000	600	300	23130-009	-	<b>23130-073</b>	21130-285	<b>23130-187</b>	23130-166	-	
9	42	2000	600	600	<b>23130-001</b>	<b>23130-076</b>	<b>23130-073</b>	21130-281	<b>23130-187</b>	<b>23130-169</b>	23130-208	
10	42	2000	600	800	<b>23130-002</b>	<b>23130-076</b>	<b>23130-073</b>	21130-282	<b>23130-187</b>	<b>23130-170</b>	<b>23130-209</b>	
11	42	2000	800	600	23130-005	<b>23130-036</b>	<b>23130-073</b>	21130-283	<b>23130-194</b>	<b>23130-169</b>	23130-212	
12	42	2000	800	800	23130-006	<b>23130-036</b>	<b>23130-073</b>	21130-284	<b>23130-194</b>	<b>23130-170</b>	23130-213	
13	47	2200	600	300	23130-009	-	<b>23130-073</b>	21130-285	<b>23130-187</b>	23130-166	-	
14	47	2200	600	600	<b>23130-001</b>	<b>23130-076</b>	<b>23130-073</b>	21130-281	<b>23130-187</b>	<b>23130-169</b>	23130-208	
15	47	2200	600	800	<b>23130-002</b>	<b>23130-076</b>	<b>23130-073</b>	21130-282	<b>23130-187</b>	<b>23130-170</b>	<b>23130-209</b>	
16	47	2200	800	800	23130-006	<b>23130-076</b>	<b>23130-073</b>	21130-284	<b>23130-194</b>	<b>23130-170</b>	23130-213	
Colour combinations						RAL 7021	RAL 7021		AlZn	RAL 7021	RAL 7021	RAL 7021
17	29	1400	600	600	<b>23130-001</b>	<b>23130-076</b>	<b>23130-073</b>	21130-281	<b>23130-187</b>	<b>23130-169</b>	23130-208	
18	29	1400	600	800	<b>23130-002</b>	<b>23130-076</b>	<b>23130-073</b>	21130-282	<b>23130-187</b>	<b>23130-170</b>	23130-209	
19	33	1600	600	600	<b>23130-001</b>	<b>23130-076</b>	<b>23130-073</b>	21130-281	<b>23130-187</b>	<b>23130-169</b>	23130-208	
20	33	1600	600	800	<b>23130-002</b>	<b>23130-076</b>	<b>23130-073</b>	21130-282	<b>23130-187</b>	<b>23130-170</b>	<b>23130-209</b>	
21	38	1800	600	600	<b>23130-001</b>	<b>23130-076</b>	<b>23130-073</b>	21130-281	<b>23130-187</b>	<b>23130-169</b>	23130-208	
22	38	1800	600	800	<b>23130-002</b>	<b>23130-076</b>	<b>23130-073</b>	21130-282	<b>23130-187</b>	<b>23130-170</b>	<b>23130-209</b>	
23	38	1800	800	600	23130-005	<b>23130-036</b>	<b>23130-073</b>	21130-283	<b>23130-194</b>	<b>23130-169</b>	23130-212	
24	42	2000	600	300	23130-009	-	<b>23130-073</b>	21130-285	<b>23130-187</b>	23130-166	-	
25	42	2000	600	600	<b>23130-001</b>	<b>23130-076</b>	<b>23130-073</b>	21130-281	<b>23130-187</b>	<b>23130-169</b>	23130-208	
26	42	2000	600	800	<b>23130-002</b>	<b>23130-076</b>	<b>23130-073</b>	21130-282	<b>23130-187</b>	<b>23130-170</b>	<b>23130-209</b>	
27	42	2000	800	600	23130-005	<b>23130-036</b>	<b>23130-073</b>	21130-283	<b>23130-194</b>	<b>23130-169</b>	23130-212	
28	42	2000	800	800	23130-006	<b>23130-036</b>	<b>23130-073</b>	21130-284	<b>23130-194</b>	<b>23130-170</b>	23130-213	
29	47	2200	600	300	23130-009	-	<b>23130-073</b>	21130-285	<b>23130-187</b>	23130-166	-	
30	47	2200	600	600	<b>23130-001</b>	<b>23130-076</b>	<b>23130-073</b>	21130-281	<b>23130-187</b>	<b>23130-169</b>	23130-208	
31	47	2200	600	800	<b>23130-002</b>	<b>23130-076</b>	<b>23130-073</b>	21130-282	<b>23130-187</b>	<b>23130-170</b>	<b>23130-209</b>	
32	47	2200	800	800	23130-006	<b>23130-076</b>	<b>23130-073</b>	21130-284	<b>23130-194</b>	<b>23130-170</b>	23130-213	

# Cabinets – Varistar Electronics

**VARISTAR IP 55**

**CONNECTING PLATES FOR SHORT DOORS/REAR PANELS**

## ORDER INFORMATION

		Dimensioning connecting plate door/rear panel	Connecting plate
 <p>Completely in RAL 7021 (black grey)</p>		 <p>01005071</p>	 <p>01005072</p>
 <p>Colour combination RAL 7035 (light grey)/RAL 7021 (black grey)</p>		<p>door and rear panel must be selected 400 mm shorter than the cabinet height; cannot be used with double door</p>	<p>St, 1 mm, can also be fitted in upper part, height 400 mm, with assembly kit</p>
Height mm	Width mm		1 piece assembled
<b>Completely in RAL 7021</b>			<b>RAL 7021</b>
400	600		21130-504
400	800		21130-505
<b>Colour combinations</b>			<b>RAL 7035</b>
400	600		22130-504
400	800		22130-505

# Cabinets – Varistar Electronics

## INTERIOR MOUNTING 19" PANEL/SLIDE MOUNTS

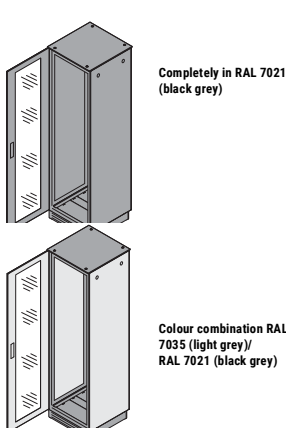
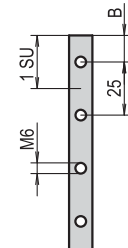
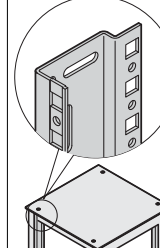
### ORDER INFORMATION

					Dimension Standard fitting		19" panel/slide mounts EIA		U height identification for 19" panel/slide mount	19" assembly kit M6	Adapter bracket for reduced width
							Painted RAL 7021	AlZn			
<p>Completely in RAL 7021 (black grey)</p> <p>Colour combination RAL 7035 (light grey)/RAL 7021 (black grey)</p>					<p>01004146</p>		<p>01004112</p>		<p>00505050</p>	<p>sc128</p>	<p>01004128</p>
					$x_f$ = distance from front $c$ = pitch of 19" panel/slide mounts $D$ = cabinet depth $W$ = cabinet width		St, 1.75 mm; reduced-width adapter bracket required for 800 mm width; depth members are required for partial-height mounting		paper strip, white, serial numbered from 1 ... 47 H	assembly kit: item 1: screws, item 2: cage nuts, item 3: washers	St, 2 mm, finish AlZn, for fixing the 19" panel/slide mounts in 800 mm wide cabinets
No.	Cabinet dimensions			$x_f$ mm	$c$ mm	19" panel/slide mounts EIA		PU 4 pieces assembled	PU 50 pieces supplied loose	PU 4 pieces assembled	
	Height U	Width mm	Depth mm			PU 1 pair assembled	PU 1 pair assembled				
<b>Completely in RAL 7021</b>											
						RAL 7021	AlZn			AlZn	
1	29	1400	600	600	50	500	23130-012	23130-032	25127-997	21101-809	-
2	29	1400	600	800	50	700					
3	33	1600	600	600	50	500	23130-013	23130-033	25127-997	21101-809	-
4	33	1600	600	800	50	700					
5	38	1800	600	600	50	500	23130-014	23130-034	25127-997	21101-809	-
6	38	1800	600	800	50	700					
7	38	1800	800	600	50	500	23130-014	23130-034	25127-997	21101-809	23130-091
8	42	2000	600	300	50	200	23130-015	23130-035	25127-997	21101-809	-
9	42	2000	600	600	50	500	23130-015	23130-035	25127-997	21101-809	-
10	42	2000	600	800	50	700					
11	42	2000	800	600	50	500	23130-015	23130-035	25127-997	21101-809	23130-091
12	42	2000	800	800	150	500					
13	47	2200	600	300	50	200	23130-016	23130-036	25127-997	21101-809	-
14	47	2200	600	600	50	500	23130-016	23130-036	25127-997	21101-809	-
15	47	2200	600	800	50	700					
16	47	2200	800	800	150	500	23130-016	23130-036	25127-997	21101-809	23130-091
<b>Colour combinations</b>											
						RAL 7035	AlZn			AlZn	
17	29	1400	600	600	50	500	23130-022	23130-032	25127-997	21101-809	-
18	29	1400	600	800	50	700					
19	33	1600	600	600	50	500	23130-023	23130-033	25127-997	21101-809	-
20	33	1600	600	800	50	700					
21	38	1800	600	600	50	500	23130-024	23130-034	25127-997	21101-809	-
22	38	1800	600	800	50	700					
23	38	1800	800	600	50	500	23130-024	23130-034	25127-997	21101-809	23130-091
24	42	2000	600	300	50	200	23130-025	23130-035	25127-997	21101-809	-
25	42	2000	600	600	50	500	23130-025	23130-035	25127-997	21101-809	-
26	42	2000	600	800	50	700					
27	42	2000	800	600	50	500	23130-025	23130-035	25127-997	21101-809	23130-091
28	42	2000	800	800	150	500					
29	47	2200	600	300	50	200	23130-026	23130-036	25127-997	21101-809	-
30	47	2200	600	600	50	500	23130-026	23130-036	25127-997	21101-809	-
31	47	2200	600	800	50	700					
32	47	2200	800	800	150	500	23130-026	23130-036	25127-997	21101-809	23130-091

# Cabinets – Varistar Electronics

## INTERIOR MOUNTING ETSI PANEL/SLIDE MOUNTS

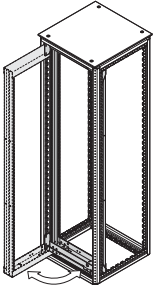


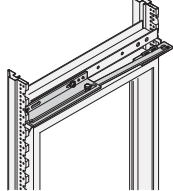
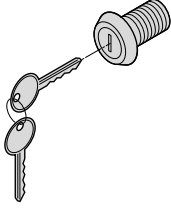
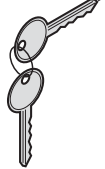
### ORDER INFORMATION

					ETSI panel/slide mount	
					Dimensions	Panel/slide mount
					 <p>00843693</p>	 <p>01004114</p>
					in accordance with ETS 300119-3 and IEC 60917-211; SU = 25 mm	St, 2 mm, Al-Zn finish, suitable only for Slim-Line frame; shelves available on request
No.	Cabinet dimensions				Height SU	PU 1 pair assembled
	Height U	Width mm	Depth mm	mm		
<b>Completely in RAL 7021</b>					<b>AlZn</b>	
1	29	1400	600	600	50	23130-052
2	29	1400	600	800	50	23130-052
3	33	1600	600	600	60	23130-053
4	33	1600	600	800	60	23130-053
5	38	1800	600	600	68	23130-054
6	38	1800	600	800	68	23130-054
7	38	1800	800	600	68	23130-054
8	42	2000	600	300	76	23130-055
9	42	2000	600	600	76	23130-055
10	42	2000	600	800	76	23130-055
11	42	2000	800	600	76	23130-055
12	42	2000	800	800	76	23130-055
13	47	2200	600	300	84	23130-056
14	47	2200	600	600	84	23130-056
15	47	2200	600	800	84	23130-056
16	47	2200	800	800	84	23130-056
<b>Colour combinations</b>					<b>AlZn</b>	
17	29	1400	600	600	50	23130-052
18	29	1400	600	800	50	23130-052
19	33	1600	600	600	60	23130-053
20	33	1600	600	800	60	23130-053
21	38	1800	600	600	68	23130-054
22	38	1800	600	800	68	23130-054
23	38	1800	800	600	68	23130-054
24	42	2000	600	300	76	23130-055
25	42	2000	600	600	76	23130-055
26	42	2000	600	800	76	23130-055
27	42	2000	800	600	76	23130-055
28	42	2000	800	800	76	23130-055
29	47	2200	600	300	84	23130-056
30	47	2200	600	600	84	23130-056
31	47	2200	600	800	84	23130-056
32	47	2200	800	800	84	23130-056

# Cabinets – Varistar Electronics

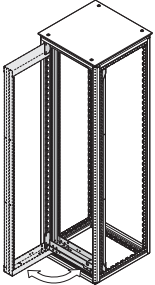
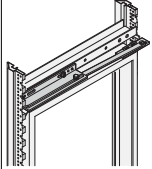
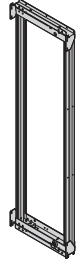
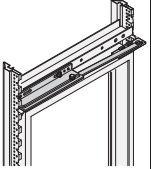

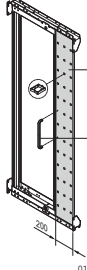
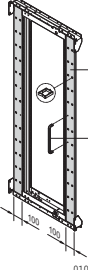
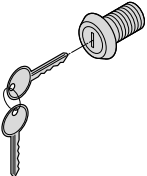
## INTERIOR MOUNTING SWING FRAMES FOR CABINET WIDTH 600 MM

### ORDER INFORMATION

			Swing frame	Slide rail for swing frame	Stop 120°	Safety lock	Spare key
			 01005070	 01018051	 01005061	 01015060	 01015059
			St, 2 mm, RAL 7021, load-carrying capacity: 150 kg, 120° hinge, square locks incl. 2 keys		St; for safety reasons a swing frame stop is recommended	for swing frame, instead of square lock, incl. 2 keys	
Height	Usable height	Width	1 piece assembled	PU 2 pieces assembled	PU 1 kit assembled	1 piece assembled	PU 2 pieces supplied loose
U	U	mm					
Partial height	12	600	21130-740	23130-183	23130-158	<b>60113-267</b>	<b>60220-003</b>
	21	600	21130-741	23130-183	23130-158	<b>60113-267</b>	<b>60220-003</b>
	25	600	21130-742	23130-183	23130-158	<b>60113-267</b>	<b>60220-003</b>
	30	600	21130-743	23130-183	23130-158	<b>60113-267</b>	<b>60220-003</b>
	34	600	21130-744	23130-183	23130-158	<b>60113-267</b>	<b>60220-003</b>
	39	600	21130-745	23130-183	23130-158	<b>60113-267</b>	<b>60220-003</b>
	43	600	21130-746	23130-183	23130-158	<b>60113-267</b>	<b>60220-003</b>

## INTERIOR MOUNTING SWING FRAMES FOR CABINET WIDTH 800 MM

### ORDER INFORMATION

			Swing frame 120°		Swing frame 160°		Slide rail for swing frame	Swing frame trim		Safety lock
			Swing frame 120°	Stop 120°	Swing frame 160°	Stop 160°		Asymmetrical assembly	Symmetrical assembly	
			 01005070	 01005061	 01005070	 01005061	 01015060	 01005058	 01005057	 01015060
			St, 2 mm, RAL 7021, load-carrying capacity 150 kg, 120° hinge, square locks incl. 2 keys (Dimension)	St; for safety reasons a swing frame stop is recommended	St, 2 mm, RAL 7021, load-carrying capacity 150 kg, 160° hinge, square locks incl. 2 keys	St, swing frame stop is recommended for safety reasons		St, 1.5 mm, RAL 7021, trim (item 1, width 200 mm) incl. handle (item 2) and cut-out for cable eyes	St, 1.5 mm, RAL 7021, trim (item 1, 2 x width 100 mm) incl. handle (item 2) and cut-out for cable eyes	for swing frame, instead of square lock, incl. 2 keys
Height	Usable height	Width	1 piece assembled	PU 1 kit assembled	1 piece assembled	PU 1 kit assembled	PU 2 pieces assembled	1 piece assembled	PU 2 pieces assembled	1 piece assembled
U	U	mm								
Partial height	12	800	21130-747	23130-158	21130-761	23130-159	23130-184	–	–	<b>60113-267</b>
	21	800	21130-748	23130-158	21130-762	23130-159	23130-184	21130-432	21130-442	<b>60113-267</b>
	25	800	21130-749	23130-158	21130-763	23130-159	23130-184	21130-433	21130-443	<b>60113-267</b>
	30	800	21130-750	23130-158	21130-764	23130-159	23130-184	21130-434	21130-444	<b>60113-267</b>
	34	800	21130-751	23130-158	21130-765	23130-159	23130-184	21130-435	21130-445	<b>60113-267</b>
	39	800	21130-752	23130-158	21130-766	23130-159	23130-184	21130-436	21130-446	<b>60113-267</b>
	43	800	21130-753	23130-158	21130-767	23130-159	23130-184	21130-437	21130-447	<b>60113-267</b>

# Cabinets – Varistar Electronics

## INTERIOR MOUNTING MOUNTING PLATE, STATIONARY SHELVES, 75 KG

### ORDER INFORMATION

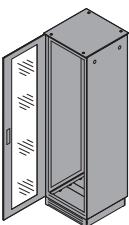
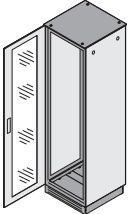
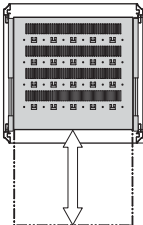
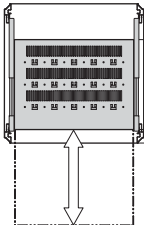
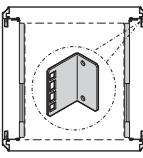
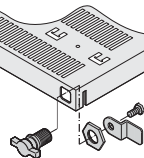
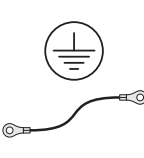
					Mounting plate		Strengthening brackets	Stationary shelf	Stationary shelf		
					Full height	Height 1200 mm		Full depth	Shortened by 100 mm	Depth member, 3 rows	
<p>Completely in RAL 7021 (black grey)</p> <p>Colour combination RAL 7035 (light grey)/RAL 7021 (black grey)</p>					<p>01008052      01008053</p>		<p>01008080</p>	<p>01004142      01004142</p>	<p>01004126</p>		
					St, zinc-plated, 3 mm, static load-carrying capacity up to 450 kg (rear mounted); strengthening bracket increases static load-carrying capacity; please order separately		St profile, increases static load-carrying capacity of mounting plate to 150 kg	St, 1.5 mm, static load-carrying capacity 75 kg, 1 U, incl. GND/earthing	St, 1.5 mm, static load-carrying cap. 75 kg, 1 U, depth 479 mm, incl. GND/earthing, for recessed installation order depth members separately	length 460 mm, St, 1.5 mm, finish AlZn; required for recessed shelf	
No.	Cabinet dimensions				1 piece assembled	1 piece assembled	PU 2 pieces assembled	1 piece assembled	1 piece assembled	PU 1 pair assembled	
	Height U	Width mm	Depth mm	mm							
<b>Completely in RAL 7021</b>					<b>zinc-plated</b>	<b>zinc-plated</b>	<b>RAL 7021</b>	<b>RAL 7021</b>	<b>RAL 7021</b>	<b>AlZn</b>	
1	29	1400	600	600	–	23130-413	<b>23130-418</b>	<b>21130-323</b>	21130-322	<b>23130-081</b>	
2	29	1400	600	800	–	23130-413	<b>23130-418</b>	21130-325	<b>21130-324</b>	<b>23130-082</b>	
3	33	1600	600	600	–	23130-413	<b>23130-418</b>	<b>21130-323</b>	21130-322	<b>23130-081</b>	
4	33	1600	600	800	–	23130-413	<b>23130-418</b>	21130-325	<b>21130-324</b>	<b>23130-082</b>	
5	38	1800	600	600	23130-405	23130-413	<b>23130-418</b>	<b>21130-323</b>	21130-322	<b>23130-081</b>	
6	38	1800	600	800	23130-405	23130-413	<b>23130-418</b>	21130-325	<b>21130-324</b>	<b>23130-082</b>	
7	38	1800	800	600	23130-406	23130-414	<b>23130-418</b>	21130-333	21130-332	<b>23130-081</b>	
8	42	2000	600	300	23130-407	23130-413	<b>23130-418</b>	–	–	–	
9	42	2000	600	600	23130-407	23130-413	<b>23130-418</b>	<b>21130-323</b>	21130-322	<b>23130-081</b>	
10	42	2000	600	800	23130-407	23130-413	<b>23130-418</b>	21130-325	<b>21130-324</b>	<b>23130-082</b>	
11	42	2000	800	600	23130-408	23130-414	<b>23130-418</b>	21130-333	21130-332	<b>23130-081</b>	
12	42	2000	800	800	23130-408	23130-414	<b>23130-418</b>	21130-335	21130-334	<b>23130-082</b>	
13	47	2200	600	300	–	23130-413	<b>23130-418</b>	–	–	–	
14	47	2200	600	600	–	23130-413	<b>23130-418</b>	<b>21130-323</b>	21130-322	<b>23130-081</b>	
15	47	2200	600	800	–	23130-413	<b>23130-418</b>	21130-325	<b>21130-324</b>	<b>23130-082</b>	
16	47	2200	800	800	–	23130-414	<b>23130-418</b>	21130-335	21130-334	<b>23130-082</b>	
<b>Colour combinations</b>					<b>zinc-plated</b>	<b>zinc-plated</b>	<b>RAL 7021</b>	<b>RAL 7035</b>	<b>RAL 7035</b>	<b>AlZn</b>	
17	29	1400	600	600	–	23130-413	<b>23130-418</b>	22130-323	22130-322	<b>23130-081</b>	
18	29	1400	600	800	–	23130-413	<b>23130-418</b>	22130-325	22130-324	<b>23130-082</b>	
19	33	1600	600	600	–	23130-413	<b>23130-418</b>	22130-323	22130-322	<b>23130-081</b>	
20	33	1600	600	800	–	23130-413	<b>23130-418</b>	22130-325	22130-324	<b>23130-082</b>	
21	38	1800	600	600	23130-405	23130-413	<b>23130-418</b>	22130-323	22130-322	<b>23130-081</b>	
22	38	1800	600	800	23130-405	23130-413	<b>23130-418</b>	22130-325	22130-324	<b>23130-082</b>	
23	38	1800	800	600	23130-406	23130-414	<b>23130-418</b>	22130-333	22130-332	<b>23130-081</b>	
24	42	2000	600	300	23130-407	23130-413	<b>23130-418</b>	–	–	–	
25	42	2000	600	600	23130-407	23130-413	<b>23130-418</b>	22130-323	22130-322	<b>23130-081</b>	
26	42	2000	600	800	23130-407	23130-413	<b>23130-418</b>	22130-325	22130-324	<b>23130-082</b>	
27	42	2000	800	600	23130-408	23130-414	<b>23130-418</b>	22130-333	22130-332	<b>23130-081</b>	
28	42	2000	800	800	23130-408	23130-414	<b>23130-418</b>	22130-335	22130-334	<b>23130-082</b>	
29	47	2200	600	300	–	23130-413	<b>23130-418</b>	–	–	–	
30	47	2200	600	600	–	23130-413	<b>23130-418</b>	22130-323	22130-322	<b>23130-081</b>	
31	47	2200	600	800	–	23130-413	<b>23130-418</b>	22130-325	22130-324	<b>23130-082</b>	
32	47	2200	800	800	–	23130-414	<b>23130-418</b>	22130-335	22130-334	<b>23130-082</b>	



# Cabinets – Varistar Electronics

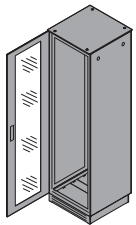
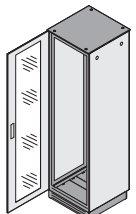
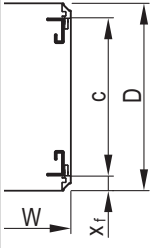
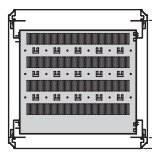
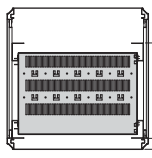
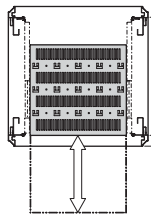
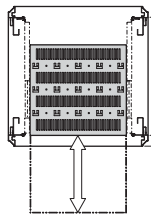
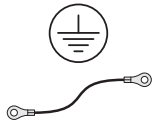
## INTERIOR MOUNTING TELESCOPIC SHELVES, 70 KG

### ORDER INFORMATION

						Telescopic shelf, 2 U									
						Full depth		Shortened by 100 mm		Mounting bracket		T-bar lock		GND/earthing	
 <p>Completely in RAL 7021 (black grey)</p>  <p>Colour combination RAL 7035 (light grey)/RAL 7021 (black grey)</p>						 <p>01004144</p>		 <p>01004145</p>		 <p>01005054</p>		 <p>01004125</p>		 <p>05904052</p>	
						St, 1.5 mm, static load-carrying capacity 70/50 kg (width 600/ 800 mm), incl. telescopic slide, please order mounting bracket separately		St, 1.5 mm, static load-carrying capacity 70/50 kg (width 600/ 800 mm), incl. telescopic slide, please order mounting bracket separately		St, finish AlZn		to lock the telescopic shelf		for telescopic shelf	
Cabinet dimensions						1 piece assembled		1 piece assembled		PU 4 pieces assembled		1 piece assembled		PU 1 kit assembled	
No.	U	Height mm	Width mm	Depth mm		RAL 7021	RAL 7021	AlZn							
Completely in RAL 7021						RAL 7021	RAL 7021	AlZn							
1	29	1400	600	600		<b>21130-353</b>	<b>21130-352</b>	<b>23130-274</b>			<b>23130-092</b>			<b>23130-140</b>	
2	29	1400	600	800		<b>21130-355</b>	<b>21130-354</b>	<b>23130-274</b>			<b>23130-092</b>			<b>23130-140</b>	
3	33	1600	600	600		<b>21130-353</b>	<b>21130-352</b>	<b>23130-274</b>			<b>23130-092</b>			<b>23130-140</b>	
4	33	1600	600	800		<b>21130-355</b>	<b>21130-354</b>	<b>23130-274</b>			<b>23130-092</b>			<b>23130-140</b>	
5	38	1800	600	600		<b>21130-353</b>	<b>21130-352</b>	<b>23130-274</b>			<b>23130-092</b>			<b>23130-140</b>	
6	38	1800	600	800		<b>21130-355</b>	<b>21130-354</b>	<b>23130-274</b>			<b>23130-092</b>			<b>23130-140</b>	
7	38	1800	800	600		21130-373	21130-372	<b>23130-274</b>			<b>23130-092</b>			<b>23130-140</b>	
8	42	2000	600	300		-	-	-			-			-	
9	42	2000	600	600		<b>21130-353</b>	<b>21130-352</b>	<b>23130-274</b>			<b>23130-092</b>			<b>23130-140</b>	
10	42	2000	600	800		<b>21130-355</b>	<b>21130-354</b>	<b>23130-274</b>			<b>23130-092</b>			<b>23130-140</b>	
11	42	2000	800	600		21130-373	21130-372	<b>23130-274</b>			<b>23130-092</b>			<b>23130-140</b>	
12	42	2000	800	800		21130-375	21130-374	<b>23130-274</b>			<b>23130-092</b>			<b>23130-140</b>	
13	47	2200	600	300		-	-	-			-			-	
14	47	2200	600	600		<b>21130-353</b>	<b>21130-352</b>	<b>23130-274</b>			<b>23130-092</b>			<b>23130-140</b>	
15	47	2200	600	800		<b>21130-355</b>	<b>21130-354</b>	<b>23130-274</b>			<b>23130-092</b>			<b>23130-140</b>	
16	47	2200	800	800		21130-375	21130-374	<b>23130-274</b>			<b>23130-092</b>			<b>23130-140</b>	
Colour combinations						RAL 7035	RAL 7035	AlZn						RAL 7021	
17	29	1400	600	600		<b>22130-353</b>	22130-352	<b>23130-274</b>			<b>23130-092</b>			<b>23130-140</b>	
18	29	1400	600	800		<b>22130-355</b>	22130-354	<b>23130-274</b>			<b>23130-092</b>			<b>23130-140</b>	
19	33	1600	600	600		<b>22130-353</b>	22130-352	<b>23130-274</b>			<b>23130-092</b>			<b>23130-140</b>	
20	33	1600	600	800		<b>22130-355</b>	22130-354	<b>23130-274</b>			<b>23130-092</b>			<b>23130-140</b>	
21	38	1800	600	600		<b>22130-353</b>	22130-352	<b>23130-274</b>			<b>23130-092</b>			<b>23130-140</b>	
22	38	1800	600	800		<b>22130-355</b>	22130-354	<b>23130-274</b>			<b>23130-092</b>			<b>23130-140</b>	
23	38	1800	800	600		22130-373	22130-372	<b>23130-274</b>			<b>23130-092</b>			<b>23130-140</b>	
24	42	2000	600	300		-	-	-			-			-	
25	42	2000	600	600		<b>22130-353</b>	22130-352	<b>23130-274</b>			<b>23130-092</b>			<b>23130-140</b>	
26	42	2000	600	800		<b>22130-355</b>	22130-354	<b>23130-274</b>			<b>23130-092</b>			<b>23130-140</b>	
27	42	2000	800	600		22130-373	22130-372	<b>23130-274</b>			<b>23130-092</b>			<b>23130-140</b>	
28	42	2000	800	800		22130-375	22130-374	<b>23130-274</b>			<b>23130-092</b>			<b>23130-140</b>	
29	47	2200	600	300		-	-	-			-			-	
30	47	2200	600	600		<b>22130-353</b>	22130-352	<b>23130-274</b>			<b>23130-092</b>			<b>23130-140</b>	
31	47	2200	600	800		<b>22130-355</b>	22130-354	<b>23130-274</b>			<b>23130-092</b>			<b>23130-140</b>	
32	47	2200	800	800		22130-375	22130-374	<b>23130-274</b>			<b>23130-092</b>			<b>23130-140</b>	

# Cabinets – Varistar Electronics

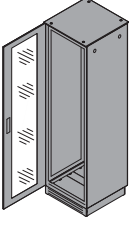
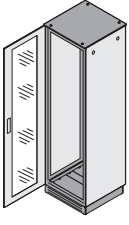
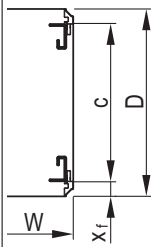
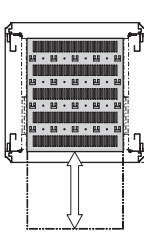
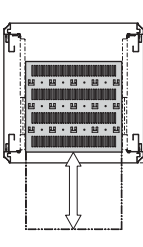
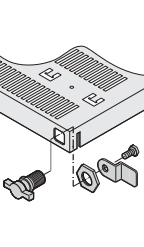
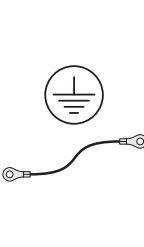
**INTERIOR MOUNTING 19" SHELVES 1 U, STATIONARY 75 KG, TELESCOPIC 30 KG**
**ORDER INFORMATION**

		Dimension Standard fitting		19" stationary shelf, 1 U, 75 kg		19" telescopic shelf, 1 U, 30 kg		GND/earthing			
				Full depth	Shortened by 100 mm	Full depth	Shortened by 100 mm				
 <p>Completely in RAL 7021 (black grey)</p>  <p>Colour combination RAL 7035 (light grey)/ RAL 7021 (black grey)</p>		 <p>01004146</p> <p><math>x_f</math> = distance from front <math>c</math> = pitch of 19" panel/slide mounts <math>D</math> = cabinet depth <math>W</math> = cabinet width</p>		 <p>01004118</p> <p>St, 1.5 mm, static load-carrying capacity 75 kg, depth 600 mm, incl. GND/earthing</p>	 <p>01004119</p> <p>St, 1.5 mm, static load-carrying capacity 75 kg, depth 500 mm, incl. GND/earthing</p>	 <p>01004123</p> <p>St, 1.5 mm, static load-carrying capacity 30 kg, incl. telescopic slide; please order GND/ earthing kit separately</p>	 <p>01004122</p> <p>St, 1.5 mm, static load-carrying capacity 30 kg, incl. telescopic slide; please order GND/ earthing kit separately</p>	 <p>05904052</p> <p>for telescopic shelf</p>			
No.	U	Height mm	Width mm	Depth mm	$x_f$ mm	$c$ mm	1 piece assembled	1 piece assembled	1 piece assembled	1 piece assembled	PU 1 kit assembled
<b>Completely in RAL 7021</b>							<b>RAL 7021</b>	<b>RAL 7021</b>	<b>RAL 7021</b>	<b>RAL 7021</b>	
1	29	1400	600	600	50	500	<b>21130-303</b>	<b>21130-302</b>	<b>21130-343</b>	<b>21130-342</b>	<b>23130-140</b>
2	29	1400	600	800	50	700	<b>21130-305</b>	<b>21130-304</b>	<b>21130-345</b>	<b>21130-344</b>	<b>23130-140</b>
3	33	1600	600	600	50	500	<b>21130-303</b>	<b>21130-302</b>	<b>21130-343</b>	<b>21130-342</b>	<b>23130-140</b>
4	33	1600	600	800	50	700	<b>21130-305</b>	<b>21130-304</b>	<b>21130-345</b>	<b>21130-344</b>	<b>23130-140</b>
5	38	1800	600	600	50	500	<b>21130-303</b>	<b>21130-302</b>	<b>21130-343</b>	<b>21130-342</b>	<b>23130-140</b>
6	38	1800	600	800	50	700	<b>21130-305</b>	<b>21130-304</b>	<b>21130-345</b>	<b>21130-344</b>	<b>23130-140</b>
7	38	1800	800	600	50	500	<b>21130-303</b>	<b>21130-302</b>	<b>21130-343</b>	<b>21130-342</b>	<b>23130-140</b>
8	42	2000	600	300	50	200	-	-	-	-	-
9	42	2000	600	600	50	500	<b>21130-303</b>	<b>21130-302</b>	<b>21130-343</b>	<b>21130-342</b>	<b>23130-140</b>
10	42	2000	600	800	50	700	<b>21130-305</b>	<b>21130-304</b>	<b>21130-345</b>	<b>21130-344</b>	<b>23130-140</b>
11	42	2000	800	600	50	500	<b>21130-303</b>	<b>21130-302</b>	<b>21130-343</b>	<b>21130-342</b>	<b>23130-140</b>
12	42	2000	800	800	150	500	<b>21130-303</b>	<b>21130-302</b>	<b>21130-343</b>	<b>21130-342</b>	
13	47	2200	600	300	50	200	-	-	-	-	-
14	47	2200	600	600	50	500	<b>21130-303</b>	<b>21130-302</b>	<b>21130-343</b>	<b>21130-342</b>	<b>23130-140</b>
15	47	2200	600	800	50	700	<b>21130-305</b>	<b>21130-304</b>	<b>21130-345</b>	<b>21130-344</b>	<b>23130-140</b>
16	47	2200	800	800	150	500	<b>21130-303</b>	<b>21130-302</b>	<b>21130-343</b>	<b>21130-342</b>	<b>23130-140</b>
<b>Colour combinations</b>							<b>RAL 7035</b>	<b>RAL 7035</b>	<b>RAL 7035</b>	<b>RAL 7035</b>	
17	29	1400	600	600	50	500	<b>22130-303</b>	22130-302	<b>22130-343</b>	<b>22130-342</b>	<b>23130-140</b>
18	29	1400	600	800	50	700	<b>22130-305</b>	<b>22130-304</b>	<b>22130-345</b>	<b>22130-344</b>	<b>23130-140</b>
19	33	1600	600	600	50	500	<b>22130-303</b>	22130-302	<b>22130-343</b>	<b>22130-342</b>	<b>23130-140</b>
20	33	1600	600	800	50	700	<b>22130-305</b>	<b>22130-304</b>	<b>22130-345</b>	<b>22130-344</b>	<b>23130-140</b>
21	38	1800	600	600	50	500	<b>22130-303</b>	22130-302	<b>22130-343</b>	<b>22130-342</b>	<b>23130-140</b>
22	38	1800	600	800	50	700	<b>22130-305</b>	<b>22130-304</b>	<b>22130-345</b>	<b>22130-344</b>	<b>23130-140</b>
23	38	1800	800	600	50	500	<b>22130-303</b>	22130-302	<b>22130-343</b>	<b>22130-342</b>	<b>23130-140</b>
24	42	2000	600	300	50	200	-	-	-	-	-
25	42	2000	600	600	50	500	<b>22130-303</b>	22130-302	<b>22130-343</b>	<b>22130-342</b>	<b>23130-140</b>
26	42	2000	600	800	50	700	<b>22130-305</b>	<b>22130-304</b>	<b>22130-345</b>	<b>22130-344</b>	<b>23130-140</b>
27	42	2000	800	600	50	500	<b>22130-303</b>	22130-302	<b>22130-343</b>	<b>22130-342</b>	<b>23130-140</b>
28	42	2000	800	800	150	500	<b>22130-303</b>	22130-302	<b>22130-343</b>	<b>22130-342</b>	
29	47	2200	600	300	50	200	-	-	-	-	-
30	47	2200	600	600	50	500	<b>22130-303</b>	22130-302	<b>22130-343</b>	<b>22130-342</b>	<b>23130-140</b>
31	47	2200	600	800	50	700	<b>22130-305</b>	<b>22130-304</b>	<b>22130-345</b>	<b>22130-344</b>	<b>23130-140</b>
32	47	2200	800	800	150	500	<b>22130-303</b>	22130-302	<b>22130-343</b>	<b>22130-342</b>	<b>23130-140</b>

# Cabinets – Varistar Electronics

## INTERIOR MOUNTING 19" TELESCOPIC SHELF, 2 U, 70 KG

### ORDER INFORMATION

					Dimension Standard fitting		Telescopic shelf, 2 U, 70 kg			
							Full depth	Shortened by 100 mm	T-bar lock	GND/earthing
 <p>Completely in RAL 7021 (black grey)</p>  <p>Colour combination RAL 7035 (light grey)/RAL 7021 (black grey)</p>					 <p>01004146</p>		 <p>01004123</p>	 <p>01004122</p>	 <p>01004125</p>	 <p>05904052</p>
					$X_f$ = distance from front $c$ = pitch of 19" panel/slide mounts $D$ = cabinet depth $W$ = cabinet width		St, 1.5 mm, RAL 7021, static load-carrying capacity 70 kg, width 417 mm, depth 482 mm, incl. telescopic slide, please order, T-bar lock and earthing kit separately	St, 1.5 mm, RAL 7021, static load-carrying capacity 70 kg, width 400 mm, depth 682 mm, incl. telescopic slide, please order, T-bar lock and earthing kit separately	to lock the telescopic shelf	for telescopic shelf
No.	Cabinet dimensions			$X_f$ mm	$c$ mm	1 piece assembled	1 piece assembled	1 piece assembled	PU 1 kit assembled	
	Height U	Width mm	Depth mm							
Completely in RAL 7021										
1	29	1400	600	600	50	500	<b>21130-353</b>	<b>21130-352</b>	<b>23130-092</b>	<b>23130-140</b>
2	29	1400	600	800	50	700	<b>21130-355</b>	<b>21130-354</b>		
3	33	1600	600	600	50	500	<b>21130-353</b>	<b>21130-352</b>	<b>23130-092</b>	<b>23130-140</b>
4	33	1600	600	800	50	700	<b>21130-355</b>	<b>21130-354</b>		
5	38	1800	600	600	50	500	<b>21130-353</b>	<b>21130-352</b>	<b>23130-092</b>	<b>23130-140</b>
6	38	1800	600	800	50	700	<b>21130-355</b>	<b>21130-354</b>	<b>23130-092</b>	<b>23130-140</b>
7	38	1800	800	600	50	500	<b>21130-353</b>	<b>21130-352</b>	<b>23130-092</b>	<b>23130-140</b>
8	42	2000	600	300	50	200	-	-	-	-
9	42	2000	600	600	50	500	<b>21130-353</b>	<b>21130-352</b>	<b>23130-092</b>	<b>23130-140</b>
10	42	2000	600	800	50	700	<b>21130-355</b>	<b>21130-354</b>		
11	42	2000	800	600	50	500	<b>21130-353</b>	<b>21130-352</b>	<b>23130-092</b>	<b>23130-140</b>
12	42	2000	800	800	150	500	<b>21130-353</b>	<b>21130-352</b>		
13	47	2200	600	300	50	200	-	-	-	-
14	47	2200	600	600	50	500	<b>21130-353</b>	<b>21130-352</b>	<b>23130-092</b>	<b>23130-140</b>
15	47	2200	600	800	50	700	<b>21130-355</b>	<b>21130-354</b>		
16	47	2200	800	800	150	500	<b>21130-353</b>	<b>21130-352</b>	<b>23130-092</b>	<b>23130-140</b>
Colour combinations										
17	29	1400	600	600	50	500	<b>22130-353</b>	22130-352	<b>23130-092</b>	<b>23130-140</b>
18	29	1400	600	800	50	700	<b>22130-355</b>	22130-354		
19	33	1600	600	600	50	500	<b>22130-353</b>	22130-352	<b>23130-092</b>	<b>23130-140</b>
20	33	1600	600	800	50	700	<b>22130-355</b>	22130-354		
21	38	1800	600	600	50	500	<b>22130-353</b>	22130-352	<b>23130-092</b>	<b>23130-140</b>
22	38	1800	600	800	50	700	<b>22130-355</b>	22130-354		
23	38	1800	800	600	50	500	<b>22130-353</b>	22130-352	<b>23130-092</b>	<b>23130-140</b>
24	42	2000	600	300	50	200	-	-	-	-
25	42	2000	600	600	50	500	<b>22130-353</b>	22130-352	<b>23130-092</b>	<b>23130-140</b>
26	42	2000	600	800	50	700	<b>22130-355</b>	22130-354		
27	42	2000	800	600	50	500	<b>22130-353</b>	22130-352	<b>23130-092</b>	<b>23130-140</b>
28	42	2000	800	800	150	500	<b>22130-353</b>	22130-352		
29	47	2200	600	300	50	200	-	-	-	-
30	47	2200	600	600	50	500	<b>22130-353</b>	22130-352	<b>23130-092</b>	<b>23130-140</b>
31	47	2200	600	800	50	700	<b>22130-355</b>	22130-354		
32	47	2200	800	800	150	500	<b>22130-353</b>	22130-352	<b>23130-092</b>	<b>23130-140</b>

# Cabinets – Varistar Electronics

## INTERIOR MOUNTING SLIDE RAILS, DEPTH MEMBERS

### ORDER INFORMATION

					Dimension Standard fitting		Slide rail		Short slide rail	Depth member, 3 rows	
							25 kg	100 kg			
					<p>01004146</p>		<p>0100415</p>		<p>01004154</p>	<p>01004126</p>	
					$X_f$ = distance from front $c$ = pitch of 19" panel/slide mounts $D$ = cabinet depth $W$ = cabinet width		St, 1.5 mm, finish AlZn, static load-carrying capacity 25 kg/pair		St, 2.5 mm, zinc-plated, static load-carrying capacity 100 kg/pair	St, 1.5 mm, finish AlZn, static load-carrying capacity 15 kg/pair	length 460 mm, St, 1.5 mm, finish AlZn; required for recessed shelf
No.	Cabinet dimensions				$X_f$ mm	$c$ mm	PU 2 pieces supplied loose		PU 1 kit supplied loose	PU 1 pair assembled	
	Height U	Width mm	Depth mm	mm			AlZn	zinc-plated	AlZn	AlZn	
<b>Completely in RAL 7021</b>											
1	29	1400	600	600	50	500	<b>23130-096</b>	<b>23130-118</b>		<b>23130-081</b>	
2	29	1400	600	800	50	700	<b>23130-097</b>	<b>23130-119</b>	<b>23130-094</b>	<b>23130-082</b>	
3	33	1600	600	600	50	500	<b>23130-096</b>	<b>23130-118</b>		<b>23130-081</b>	
4	33	1600	600	800	50	700	<b>23130-097</b>	<b>23130-119</b>	<b>23130-094</b>	<b>23130-082</b>	
5	38	1800	600	600	50	500	<b>23130-096</b>	<b>23130-118</b>		<b>23130-081</b>	
6	38	1800	600	800	50	700	<b>23130-097</b>	<b>23130-119</b>	<b>23130-094</b>	<b>23130-082</b>	
7	38	1800	800	600	50	500	<b>23130-096</b>	<b>23130-118</b>	<b>23130-094</b>	<b>23130-081</b>	
8	42	2000	600	300	50	200	<b>23130-099</b>	<b>23130-116</b>	<b>23130-094</b>	-	
9	42	2000	600	600	50	500	<b>23130-096</b>	<b>23130-118</b>		<b>23130-081</b>	
10	42	2000	600	800	50	700	<b>23130-097</b>	<b>23130-119</b>	<b>23130-094</b>	<b>23130-082</b>	
11	42	2000	800	600	50	500	<b>23130-096</b>	<b>23130-118</b>		<b>23130-081</b>	
12	42	2000	800	800	150	500	<b>23130-096</b>	<b>23130-118</b>	<b>23130-094</b>	<b>23130-082</b>	
13	47	2200	600	300	50	200	<b>23130-099</b>	<b>23130-116</b>	<b>23130-094</b>	-	
14	47	2200	600	600	50	500	<b>23130-096</b>	<b>23130-118</b>		<b>23130-081</b>	
15	47	2200	600	800	50	700	<b>23130-097</b>	<b>23130-119</b>	<b>23130-094</b>	<b>23130-082</b>	
16	47	2200	800	800	150	500	<b>23130-096</b>	<b>23130-118</b>	<b>23130-094</b>	<b>23130-082</b>	
<b>Colour combinations</b>											
17	29	1400	600	600	50	500	<b>23130-096</b>	<b>23130-118</b>		<b>23130-081</b>	
18	29	1400	600	800	50	700	<b>23130-097</b>	<b>23130-119</b>	<b>23130-094</b>	<b>23130-082</b>	
19	33	1600	600	600	50	500	<b>23130-096</b>	<b>23130-118</b>		<b>23130-081</b>	
20	33	1600	600	800	50	700	<b>23130-097</b>	<b>23130-119</b>	<b>23130-094</b>	<b>23130-082</b>	
21	38	1800	600	600	50	500	<b>23130-096</b>	<b>23130-118</b>		<b>23130-081</b>	
22	38	1800	600	800	50	700	<b>23130-097</b>	<b>23130-119</b>	<b>23130-094</b>	<b>23130-082</b>	
23	38	1800	800	600	50	500	<b>23130-096</b>	<b>23130-118</b>	<b>23130-094</b>	<b>23130-081</b>	
24	42	2000	600	300	50	200	<b>23130-099</b>	<b>23130-116</b>	<b>23130-094</b>	-	
25	42	2000	600	600	50	500	<b>23130-096</b>	<b>23130-118</b>		<b>23130-081</b>	
26	42	2000	600	800	50	700	<b>23130-097</b>	<b>23130-119</b>	<b>23130-094</b>	<b>23130-082</b>	
27	42	2000	800	600	50	500	<b>23130-096</b>	<b>23130-118</b>		<b>23130-081</b>	
28	42	2000	800	800	150	500	<b>23130-096</b>	<b>23130-118</b>	<b>23130-094</b>	<b>23130-082</b>	
29	47	2200	600	300	50	200	<b>23130-099</b>	<b>23130-116</b>	<b>23130-094</b>	-	
30	47	2200	600	600	50	500	<b>23130-096</b>	<b>23130-118</b>		<b>23130-081</b>	
31	47	2200	600	800	50	700	<b>23130-097</b>	<b>23130-119</b>	<b>23130-094</b>	<b>23130-082</b>	
32	47	2200	800	800	150	500	<b>23130-096</b>	<b>23130-118</b>	<b>23130-094</b>	<b>23130-082</b>	

# Cabinets – Varistar Electronics

## INTERIOR MOUNTING CABLE DUCTINGS

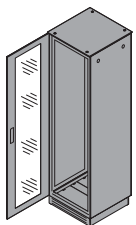
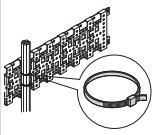
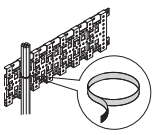

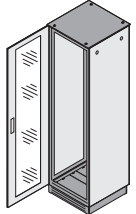

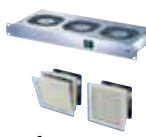
### ORDER INFORMATION

					Cable ducting with C-profile																								
					C-rail for cabinet depth	C-rail for cabinet width	Slide nut	Cable shell	Cable support for C-rail																				
<p>Completely in RAL 7021 (black grey)</p> <p>Colour combination RAL 7035 (light grey) / RAL 7021 (black grey)</p>					<p>01006109</p> <p>St, 1.5 mm, finish AlZn</p>					<p>01006107</p> <p>St, 1.5 mm, finish AlZn</p>					<p>01504054</p> <p>for C-rail</p>					<p>vm1009</p> <p>for C-rail or for cable support rail, for cable bundles of 42 ... 46 mm, further dimensions see page 1.24</p>					<p>01006110</p> <p>PA, UL 94 V-0, black, assembly by clipping onto the C-rail</p>				
No.	Cabinet dimensions				PU 2 pieces supplied loose	PU 2 pieces supplied loose	PU 10 pieces supplied loose	PU 10 pieces supplied loose	PU 5 pieces supplied loose																				
	Height U	Width mm	Depth mm	mm																									
<b>Completely in RAL 7021</b>					<b>AlZn</b>	<b>AlZn</b>																							
1	29	1400	600	600	<b>23130-086</b>	<b>23130-333</b>	<b>21120-140</b>	<b>20114-731</b>	<b>60118-472</b>																				
2	29	1400	600	800	<b>23130-087</b>	<b>23130-333</b>	<b>21120-140</b>	<b>20114-731</b>	<b>60118-472</b>																				
3	33	1600	600	600	<b>23130-086</b>	<b>23130-333</b>	<b>21120-140</b>	<b>20114-731</b>	<b>60118-472</b>																				
4	33	1600	600	800	<b>23130-087</b>	<b>23130-333</b>	<b>21120-140</b>	<b>20114-731</b>	<b>60118-472</b>																				
5	38	1800	600	600	<b>23130-086</b>	<b>23130-333</b>	<b>21120-140</b>	<b>20114-731</b>	<b>60118-472</b>																				
6	38	1800	600	800	<b>23130-087</b>	<b>23130-333</b>	<b>21120-140</b>	<b>20114-731</b>	<b>60118-472</b>																				
7	38	1800	800	600	<b>23130-086</b>	<b>23130-334</b>	<b>21120-140</b>	<b>20114-731</b>	<b>60118-472</b>																				
8	42	2000	600	300	–	–	–	–	–																				
9	42	2000	600	600	<b>23130-086</b>	<b>23130-333</b>	<b>21120-140</b>	<b>20114-731</b>	<b>60118-472</b>																				
10	42	2000	600	800	<b>23130-087</b>	<b>23130-333</b>	<b>21120-140</b>	<b>20114-731</b>	<b>60118-472</b>																				
11	42	2000	800	600	<b>23130-086</b>	<b>23130-334</b>	<b>21120-140</b>	<b>20114-731</b>	<b>60118-472</b>																				
12	42	2000	800	800	<b>23130-087</b>	<b>23130-334</b>	<b>21120-140</b>	<b>20114-731</b>	<b>60118-472</b>																				
13	47	2200	600	300	–	–	–	–	–																				
14	47	2200	600	600	<b>23130-086</b>	<b>23130-333</b>	<b>21120-140</b>	<b>20114-731</b>	<b>60118-472</b>																				
15	47	2200	600	800	<b>23130-087</b>	<b>23130-333</b>	<b>21120-140</b>	<b>20114-731</b>	<b>60118-472</b>																				
16	47	2200	800	800	<b>23130-087</b>	<b>23130-334</b>	<b>21120-140</b>	<b>20114-731</b>	<b>60118-472</b>																				
<b>Colour combinations</b>					<b>AlZn</b>	<b>AlZn</b>																							
17	29	1400	600	600	<b>23130-086</b>	<b>23130-333</b>	<b>21120-140</b>	<b>20114-731</b>	<b>60118-472</b>																				
18	29	1400	600	800	<b>23130-087</b>	<b>23130-333</b>	<b>21120-140</b>	<b>20114-731</b>	<b>60118-472</b>																				
19	33	1600	600	600	<b>23130-086</b>	<b>23130-333</b>	<b>21120-140</b>	<b>20114-731</b>	<b>60118-472</b>																				
20	33	1600	600	800	<b>23130-087</b>	<b>23130-333</b>	<b>21120-140</b>	<b>20114-731</b>	<b>60118-472</b>																				
21	38	1800	600	600	<b>23130-086</b>	<b>23130-333</b>	<b>21120-140</b>	<b>20114-731</b>	<b>60118-472</b>																				
22	38	1800	600	800	<b>23130-087</b>	<b>23130-333</b>	<b>21120-140</b>	<b>20114-731</b>	<b>60118-472</b>																				
23	38	1800	800	600	<b>23130-086</b>	<b>23130-334</b>	<b>21120-140</b>	<b>20114-731</b>	<b>60118-472</b>																				
24	42	2000	600	300	–	–	–	–	–																				
25	42	2000	600	600	<b>23130-086</b>	<b>23130-333</b>	<b>21120-140</b>	<b>20114-731</b>	<b>60118-472</b>																				
26	42	2000	600	800	<b>23130-087</b>	<b>23130-333</b>	<b>21120-140</b>	<b>20114-731</b>	<b>60118-472</b>																				
27	42	2000	800	600	<b>23130-086</b>	<b>23130-334</b>	<b>21120-140</b>	<b>20114-731</b>	<b>60118-472</b>																				
28	42	2000	800	800	<b>23130-087</b>	<b>23130-334</b>	<b>21120-140</b>	<b>20114-731</b>	<b>60118-472</b>																				
29	47	2200	600	300	–	–	–	–	–																				
30	47	2200	600	600	<b>23130-086</b>	<b>23130-333</b>	<b>21120-140</b>	<b>20114-731</b>	<b>60118-472</b>																				
31	47	2200	600	800	<b>23130-087</b>	<b>23130-333</b>	<b>21120-140</b>	<b>20114-731</b>	<b>60118-472</b>																				
32	47	2200	800	800	<b>23130-087</b>	<b>23130-334</b>	<b>21120-140</b>	<b>20114-731</b>	<b>60118-472</b>																				

# Cabinets – Varistar Electronics

## INTERIOR MOUNTING CABLE TIES, VELCRO

### ORDER INFORMATION

					Cable tie	Velcro	General components
 <p>Completely in RAL 7021 (black grey)</p>							<b>Mechanics</b>  from page 3.2
 <p>Colour combination RAL 7035 (light grey)/RAL 7021 (black grey)</p>					plastic, 92 mm x 2.5 mm, further dimensions see page 1.26 01005078	black, length 300 mm, further dimensions see page 1.26 01005079	
Cabinet dimensions					PU 25 pieces supplied loose	PU 10 pieces supplied loose	<b>Power distribution</b>  from page 3.50
No.	U	mm	mm	mm			
Completely in RAL 7021							<b>Climate control</b>  from page 4.0
1	29	1400	600	600	<b>20118-351</b>	<b>20118-624</b>	
2	29	1400	600	800	<b>20118-351</b>	<b>20118-624</b>	
3	33	1600	600	600	<b>20118-351</b>	<b>20118-624</b>	
4	33	1600	600	800	<b>20118-351</b>	<b>20118-624</b>	
5	38	1800	600	600	<b>20118-351</b>	<b>20118-624</b>	
6	38	1800	600	800	<b>20118-351</b>	<b>20118-624</b>	
7	38	1800	800	600	<b>20118-351</b>	<b>20118-624</b>	
8	42	2000	600	300	–	–	
9	42	2000	600	600	<b>20118-351</b>	<b>20118-624</b>	
10	42	2000	600	800	<b>20118-351</b>	<b>20118-624</b>	
11	42	2000	800	600	<b>20118-351</b>	<b>20118-624</b>	
12	42	2000	800	800	<b>20118-351</b>	<b>20118-624</b>	
13	47	2200	600	300	–	–	
14	47	2200	600	600	<b>20118-351</b>	<b>20118-624</b>	
15	47	2200	600	800	<b>20118-351</b>	<b>20118-624</b>	
16	47	2200	800	800	<b>20118-351</b>	<b>20118-624</b>	
Colour combinations							
17	29	1400	600	600	<b>20118-351</b>	<b>20118-624</b>	
18	29	1400	600	800	<b>20118-351</b>	<b>20118-624</b>	
19	33	1600	600	600	<b>20118-351</b>	<b>20118-624</b>	
20	33	1600	600	800	<b>20118-351</b>	<b>20118-624</b>	
21	38	1800	600	600	<b>20118-351</b>	<b>20118-624</b>	
22	38	1800	600	800	<b>20118-351</b>	<b>20118-624</b>	
23	38	1800	800	600	<b>20118-351</b>	<b>20118-624</b>	
24	42	2000	600	300	–	–	
25	42	2000	600	600	<b>20118-351</b>	<b>20118-624</b>	
26	42	2000	600	800	<b>20118-351</b>	<b>20118-624</b>	
27	42	2000	800	600	<b>20118-351</b>	<b>20118-624</b>	
28	42	2000	800	800	<b>20118-351</b>	<b>20118-624</b>	
29	47	2200	600	300	–	–	
30	47	2200	600	600	<b>20118-351</b>	<b>20118-624</b>	
31	47	2200	600	800	<b>20118-351</b>	<b>20118-624</b>	
32	47	2200	800	800	<b>20118-351</b>	<b>20118-624</b>	



# Cabinets – Varistar Platform

## TWO LOAD-CARRYING CLASSES, ONE ACCESSORY RANGE: THE VARISTAR FRAMES



Varistar is the only cabinet platform that allows identical accessories to be combined with two basic frames. The cabinet is available in Slim-Line (narrow) or Heavy-Duty (robust) profiles.

### SLIM-LINE PROFILE

The Slim-Line version is based on very thin steel profiles in order to obtain the greatest opening width between the uprights. This frame can accommodate either 19" equipment or metric components to ETS 3000-119-3. With a maximum load of 400 kg\* on the 19" plane the frame is still highly robust and suitable for demanding applications in electronics or data and network technology.

### HEAVY-DUTY PROFILE

The Heavy-Duty frame, on the other hand, is designed for use with heavy loads or in regions susceptible to earthquakes. It offers on the one hand maximum stability for a load of up to 800 kg\* on the 19" plane and, thanks to its high bending stiffness, can meet the shock and vibration requirements such as occur in railway and traffic signal installations, in the control of rotating machines, on commercial ships or in low-level military installations. In the IEC 61587-2 earthquake test the Heavy-Duty frame qualified for use in Bellcore Zone 3. Equipped with very simple, low-cost strengthening brackets, the Varistar Seismic version meets the demands of Bellcore Zone 4.



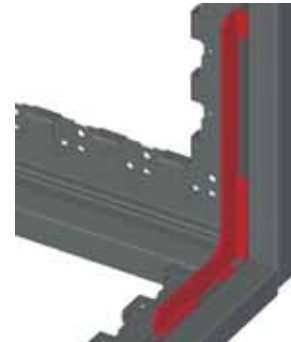
01006035

Slim-Line profile



01006034

Heavy-Duty profile



01008062

Heavy-duty profile with strengthening bracket

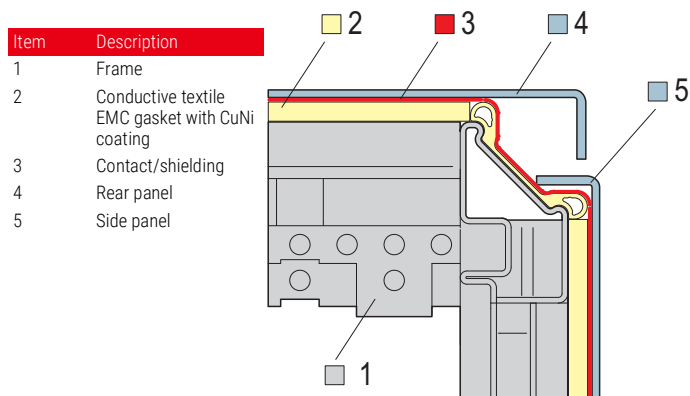
	Standard	Slim-Line	Heavy-Duty
Static load-carrying capacity	IEC 61587-1	400 kg *	800 kg *
Type of protection	IEC 60529	IP 20, IP 55	IP 20, IP 55
Shock test	IEC 61587-1	Maximum acceleration: 5 g Duration: 11 ms	Maximum acceleration: 5 g Duration: 11 ms
Vibration test	IEC 61587-1	Frequency: 5 Hz -100 Hz Acceleration: 1 g	Frequency: 5 Hz -100 Hz Acceleration: 1 g
Earthquake test	IEC 61587-2		Standard: up to Bellcore Zone 3, acceleration: 3 g, Frequency: 1 Hz ... 5 Hz With strengthening: up to Bellcore Zone 4, acceleration: 5 g, Frequency: 2 Hz ... 5 Hz
EMC shielding	IEC 61587-3	60 dB at 1 GHz, 40 dB at 3 GHz	60 dB at 1 GHz, 40 dB at 3 GHz
Installing options		19" or ETS	19"

\* The figures for static load-carrying capacity are based on the test procedure of IEC 61587-1. In this procedure the cabinet must withstand being moved about on the floor and dropped from a height of 1000 mm onto a hard surface while carrying the maximum load, without sustaining substantial deformations to the frame or to the 19" panel / slide mounts. The possible loading for the Varistar frame is therefore, under normal operating conditions, considerably higher than the test value given under IEC 61587-1.



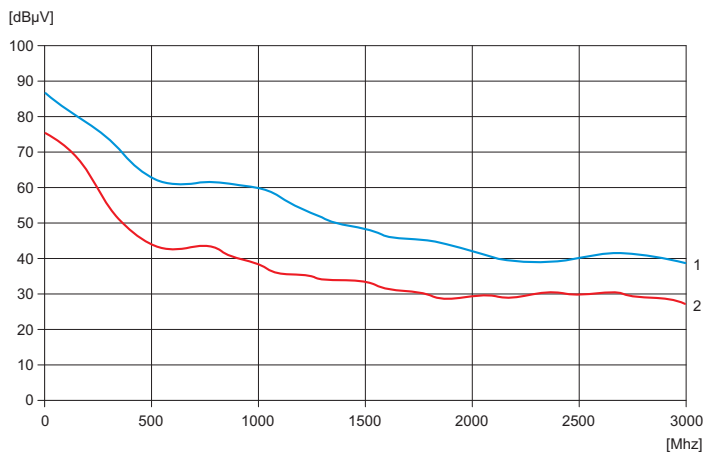
# Cabinets – Varistar Platform

## DECIDEDLY DIFFERENT: THE VARISTAR SEALING AND SHIELDING CONCEPT



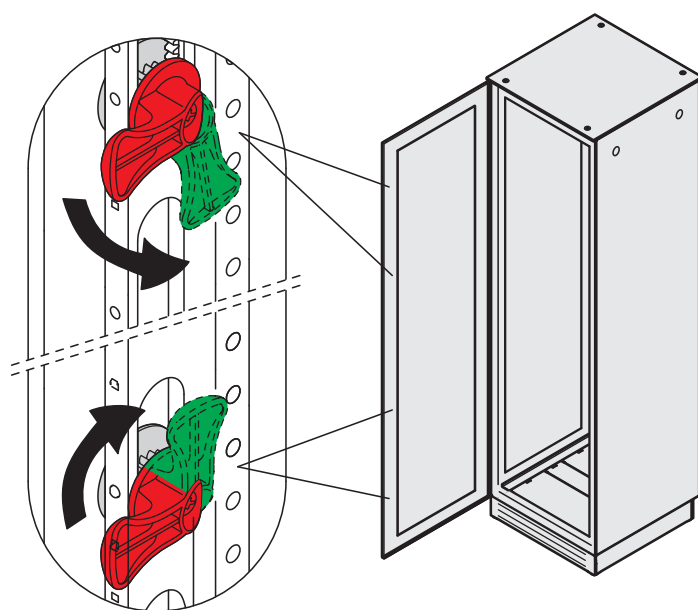
In most shielding designs currently available, conductive seals or springs connect the cover parts to the cabinet frame. The points of contact have thus to be kept conductive and corrosion-free. With VARISTAR, however, the conductive textile gaskets connect the cladding parts together directly, with two results: A considerably better shielding performance of 60 dB at 1 GHz (and 40 dB at 3 GHz) is obtained than with conventional designs. There is no longer any need for expensive treatment of the frame surface. The textile EMC gasket is at the same time also a shield against dust and water to IP 55. Where no shielding is required, a rubber gasket offering the same IP 55 protection is used. Both gaskets are fitted to the 45°-angled surface of the exterior of the frame.

Shielding up to 3 GHz



1: Cabinet with solid door 2: Cabinet with perforated door

## SMOOTH-RUNNING AND ABSOLUTELY TIGHT: THE VARISTAR LOCKING SYSTEM

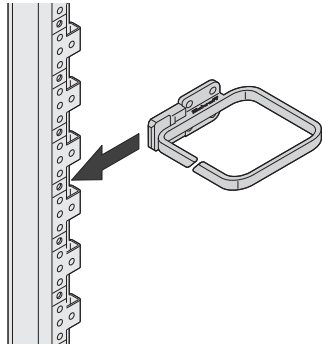


The latching system also contributes to protection class and shielding. The innovative locking bar accepts a variable number of deadbolts, depending on the cabinet height, to ensure the most even compression of the gaskets. And best of all: Activating the locking bar causes the latches to move in the opposite direction. Thus the frictional forces of the bolts are balanced out and a resulting lopsided vertical force on the door is avoided. The doors close easily and with an absolute seal. EMC doors are fitted with 4-point locking, IP and server doors with 3-point locking.

# Cabinets – Varistar Platform

## PEERLESS AND EFFICIENT: THE VARISTAR PROFILE (SLIM-LINE AND HEAVY-DUTY)

19" brackets are fixed without depth members



0100403401006105

The VARISTAR profile has fixing holes in all three axes (height, width, depth), following a 25 mm grid. This allows for the greatest variability in the fitting of components and accessories. Thus for example 19" panel/slide mounts may be installed in a 600 mm wide cabinet without additional depth members. This saves costs and provides stability on the 19" plane. The intricately shaped form of the profile offers further new assembly possibilities. Cable eyes, for instance, can be plugged directly into the frame whilst fixing themselves.

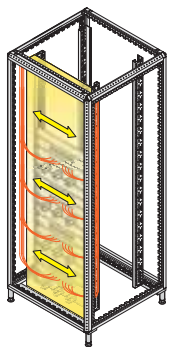
Self-fixing cable eyes

## NEW AND WELL THOUGHT OUT: VARISTAR CABLE MANAGEMENT

Schroff has divided the available space in the VARISTAR into zones and given a simple description of the position and use of these zones. The coloured arrows show the direction of the cable ducting.

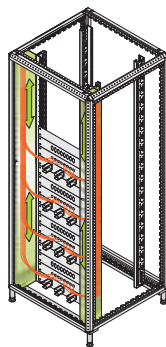
For each zone a range of accessories has been developed to suit the conditions in the cabinet, which simplifies cabling and thus helps to include as many connections as possible in a distribution cabinet. The VARISTAR profile with its many fixing options has thus proved a real boon.

Zone 1



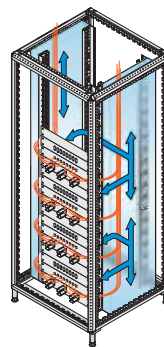
01006087

Zone 2



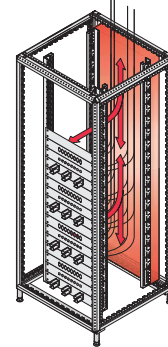
01006088

Zone 3



01006085

Zone 4



01006086

- In front of the 19" plane
- In this zone the patch cables are ducted horizontally between the distribution fields

- On the right and left hand side, next to the 19" plane
- In this zone patch cables are ducted vertically in a kind of channel to the individual components

- Zone 3 is located laterally behind the 19" plane across the cabinet depth, mainly for 800 mm wide cabinets
- In this zone entering cable bundles are fixed in the cabinet, parted and ducted to the rear of the distribution fields

- Zone 4 is located in the rear across the cabinet width
- Alternative to zone 3 for only 600 mm wide cabinets or when cable entry is at the rear of the cabinet

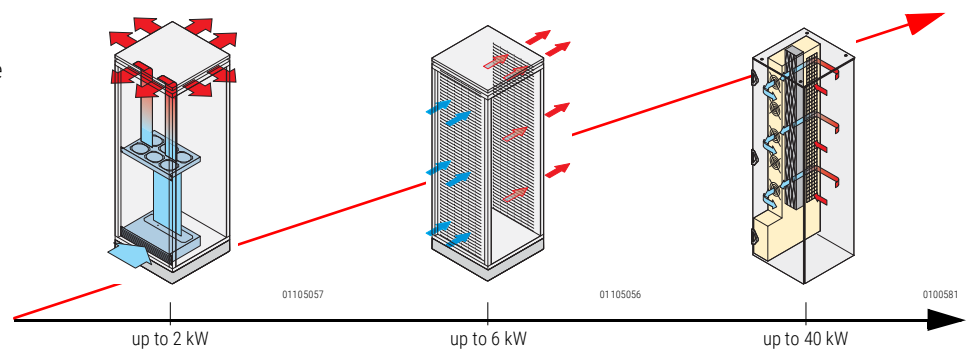
# Cabinets – Varistar Platform

## HEAT DISSIPATION TO EXACT REQUIREMENTS: COOLING CONCEPTS FOR VARISTAR

Depending on installed heat dissipation and the surroundings, VARISTAR offers various cooling options and also good conditions for problem-free operation of the installed equipment.

Either top cover fans are used to assist the heat dissipation or perforated doors with 78 % air throughput are fitted.

Additionally, VARISTAR LHX 20/40 with assembled air/water heat exchanger allows to cool especially strained appliances with water. And that for up to 40 kW per cabinet.



Fan unit, positioned inside



78 % air throughput



Air/water heat exchanger

## CLASSIC AND CONSISTENT: VARISTAR COLOUR AND DESIGN

As well as its functional aspects, in the development of VARISTAR the design of the individual components and their combined effect on the appearance of the cabinet was always a priority. The cabinet gains its characteristic, unmistakable look from the high narrow door with the memorable hinges and the very thin, almost inconspicuous top cover edge. While rack, base and cover are offered in black grey (RAL 7021) for all standard cabinets, a choice of two colour options are available - even in our standard programme - for side panels, doors and rear panels:

Either entirely black grey (RAL 7021), as is the contemporary look in data centres and recording studios. Or in light grey (RAL 7035), whereby an attractive combination of mainly light surfaces with a few dark accents is obtained.

Alternatively, VARISTAR can be supplied in many RAL colours within 15 working days, or even as a combination of two special colours. The current range of colours can be seen online at [www.schroff.de/modification](http://www.schroff.de/modification).



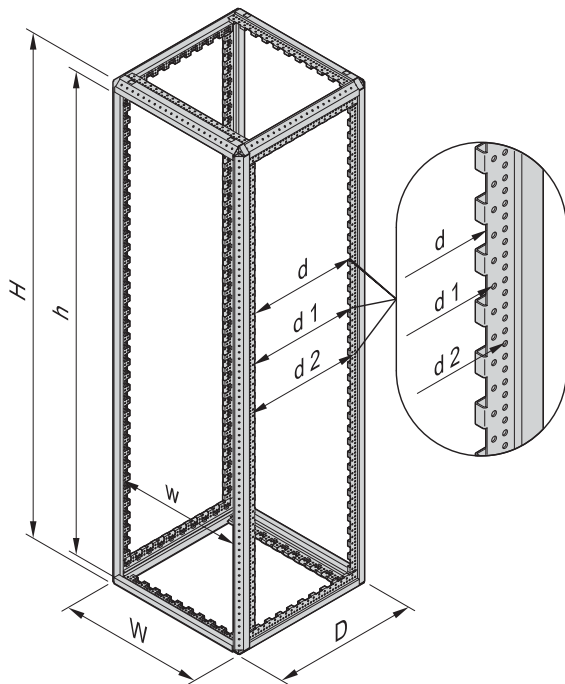
Colour RAL 7021 (black grey)



Colour combination RAL 7035/RAL 7021 (light grey/black grey)

# Cabinets – Varistar Platform

## FRAME DIMENSIONS



### Height

Cabinet height		Frame	
mm	U	H mm	h mm
1200	24	1192	1102
1400	29	1392	1302
1600	33	1592	1502
1800	38	1792	1702
2000	42	1992	1902
2200	47	2192	2102

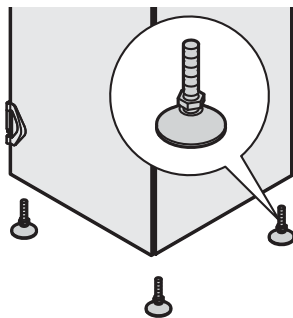
### Width

Cabinet width	Frame W	Slim-Line w	Heavy-Duty w
mm	mm	mm	mm
600	592	535	502
800	792	735	702

### Depth

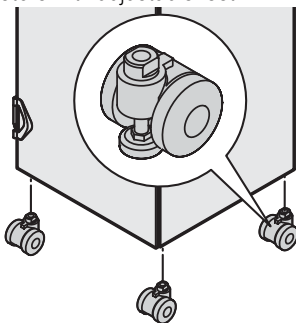
Cabinet depth	D	Frame d	d <sub>1</sub>	d <sub>2</sub>
mm	mm	mm	mm	mm
300	292	128.8	150	175
600	592	428.8	450	475
800	792	628.8	650	675
900	892	728.8	750	775
1000	992	828.8	850	875
1100	1092	928.8	950	975
1200	1192	1028.8	1050	1075

Adjustable feet

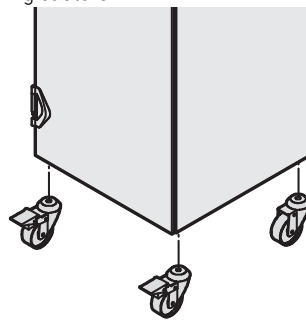


01005087

Castors with adjustable feet



Locking castors

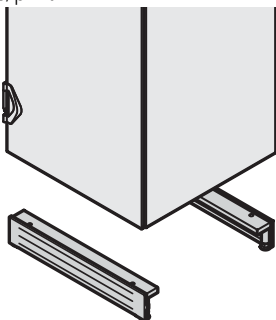


01004081

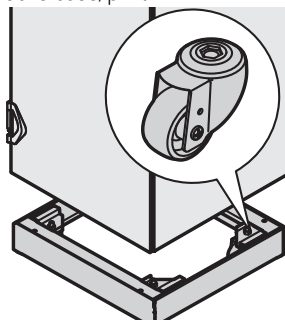
### Height of adjustable feet, castors, base/plinth

Adjustable feet	20 ... 40 mm
Locking castors	85 mm
Castors with adjustable feet	85 ... 95 mm
Base/plinth (feet)	112 ... 132 mm
Base/plinth, mobile	126.5 ... 134.5 mm

Base/plinth



Mobile base/plinth

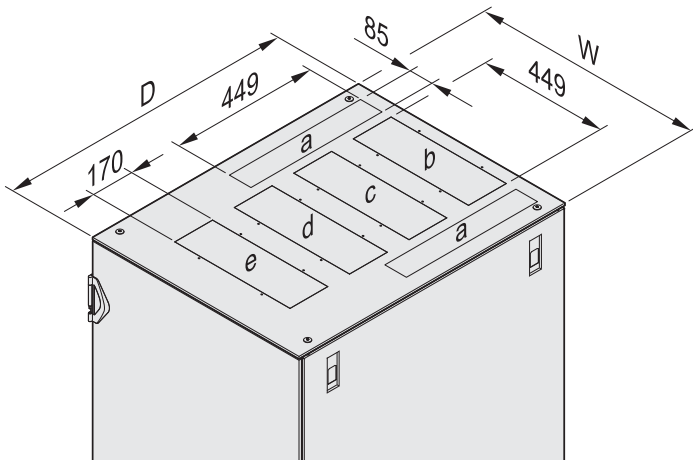


0100408201004156

0100411001004111

# Cabinets – Varistar Platform

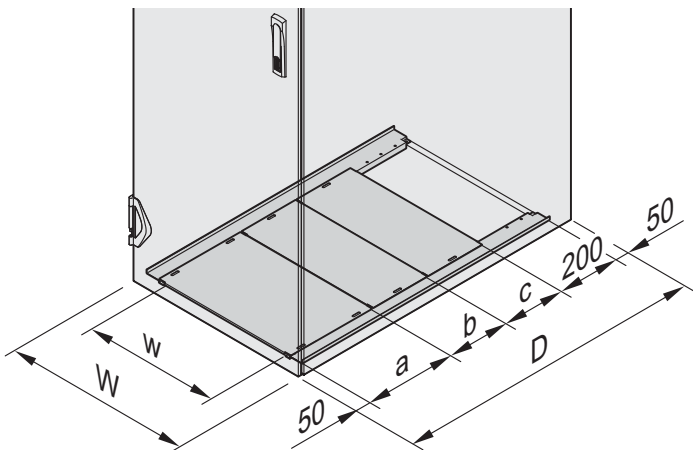
## TOP COVER WITH CUT-OUT ZONES



01006097

D	W = 600 mm					W = 800 mm				
	a	b	c	d	e	a	b	c	d	e
600	-	✓	✓	-	-	-	✓	✓	-	-
800	-	✓	✓	✓	-	✓	✓	✓	✓	-
900	-	✓	✓	✓	-	✓	✓	✓	✓	-
1000	-	✓	✓	✓	✓	✓	✓	✓	✓	✓
1100	-	✓	✓	✓	✓	✓	✓	✓	✓	✓
1200	-	✓	✓	✓	✓	✓	✓	✓	✓	✓

## BASE PLATE, MULTI-PIECE



01006096

D	Depth in mm		
	a	b	c
600	300	-	-
800	300	200	-
900	300	300	-
1000	300	200	200
1100	300	300	200
1200	300	300	300

Cabinet width W mm	Opening width w mm
600	426
800	626

## **North America**

**Warwick, RI, USA**

Tel +1.800.525.4682

**San Diego, CA, USA**

Tel +1.800.854.7086

## **Europe, Middle East & India**

**Straubenhardt, Germany**

Tel +49 7082 794 0

**Betschdorf, France**

Tel +33 3 88 90 64 90

**Warsaw, Poland**

Tel +48 22 209 98 35

**Hemel Hempstead,**

**Great Britain**

Tel +44 1442 24 04 71

**Lainate, Italy**

Tel +39 02 932 714 1

**Dubai, United Arab Emirates**

Tel +971 4 37 81 700

**Bangalore, India**

Tel +91 80 67152000

**Istanbul, Turkey**

Tel +90 216 250 7374

## **Asia Pacific**

**Shanghai, China**

Tel +86 21 2412 6943

**Singapore**

Tel +65 6768 5800

**Shin-Yokohama, Japan**

Tel +81 45 476 0271

Our powerful portfolio of brands:

**CADDY ERICO HOFFMAN RAYCHEM SCHROFF TRACER**



[nVent.com/SCHROFF](https://www.nVent.com/SCHROFF)