



CONNECT AND PROTECT

Epcase


nvent

SCHROFF

Wall mounted cases – Epcase

OVERVIEW

MAIN KATALOG

- Cabinets 1
- Wall mounted cases 2
- Accessories for cabinets and wall mounted cases . . 3
- Climate control . . 4
- Electronics cases 5
- Subracks/ 19" chassis 6
- Front panels, plug-in units 7
- Systems 8
- Power supply units 9
- Backplanes 10
- Connectors, front panel component system 11
- Appendix 12



Hinged side panels for easy access

01506002

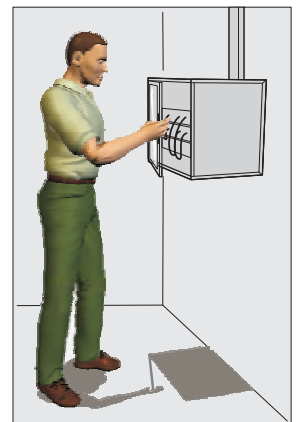
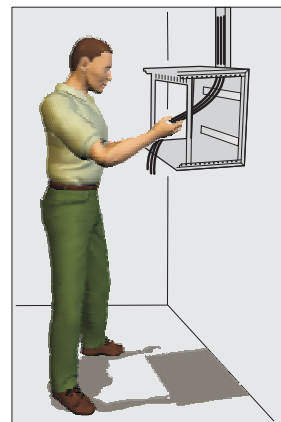
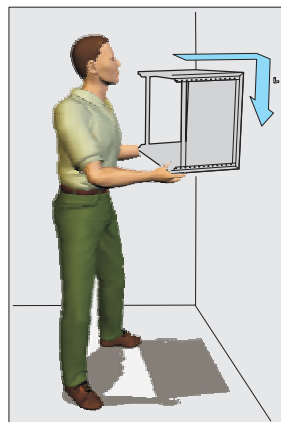
Optimum space utilisation due to an additional vertical 19" plane; fans retrofittable

01505008

01505003

STANDARDS

- Type of protection IP 20
IEC 60529



Simple design and assembly: mounting, wiring, cladding

01504051

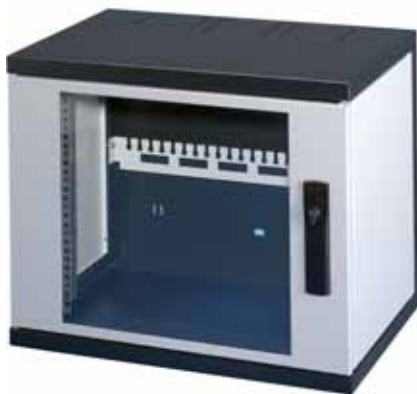
Wall mounted cases – Epcase

OVERVIEW

LOW-COST WALL MOUNTED CASE

- Hinged side panels for easy access
- Completely pre-assembled
- Optimum space utilisation through depth-adjustable 19" slide mounts and an additional vertical 19" plane
- Type of protection IP 20

Overview 2.24



01506001

EPCASE 19"

- 19" assembly from 9 ... 20 U

epcase 19"

19" wall mounted case	2.26
Fan	2.27
Protective grille	2.27
Air filter	2.28
Lever handle	2.28
19" equipment shelf	2.29
Modem shelf	2.30
Vertical 19" plane	2.30
Cable eye	2.31
Cable support rail	2.31
Short slide rail	2.31



01505006

EPCASE 10"

- 10" assembly from 4 ... 12 U

epcase 10"

10" wall mounted case	2.32
Air filter	2.33
Equipment support	2.33
10" front panel	2.34
10" socket strip 1 U, SCHUKO	2.35

SERVICEPLUS

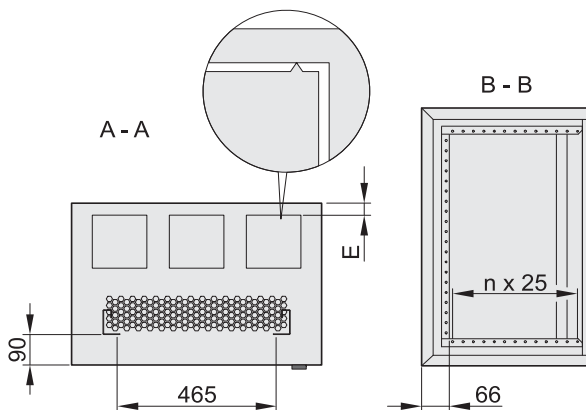
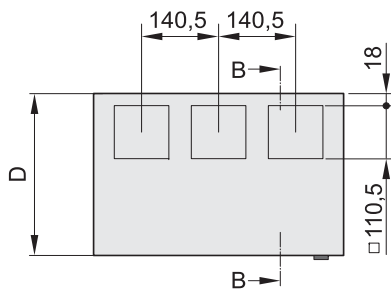
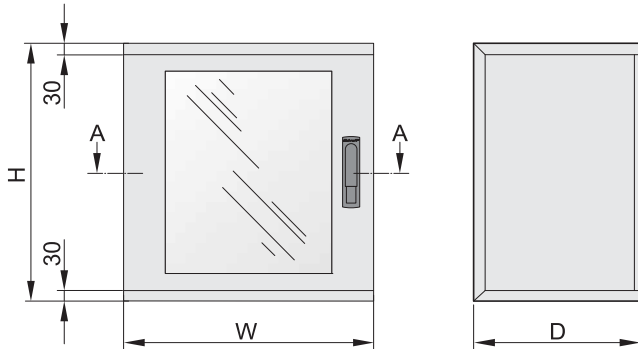
- e.g. special colours, special sizes
- e.g. air conditioning
- e.g. fittings, conversions, cut-outs
- e.g. custom solutions

Wall mounted cases – Epcase

19" WALL MOUNTED CASE



01506002



eca46458

- Multi functional 19" wall case with hinged side panels
- Cable entry possible from above or below; the cable entry opening can be sealed with two brush strips each, resp. can be used to assemble fan
- Cable support rail is included and is adjustable in 25 mm increments
- 19" panel/slide mounts are depth-adjustable in 25 mm increments
- Type of protection IP 20

DELIVERY COMPRISES (assembled)

Item	Qty	Description
1	1	Basic case, C form, St, 2 mm, RAL 7021
2	1	Glazed door with key/lock (key no. 2233), door handle cut-out S2100, frame, St, 1.5 mm, RAL 7035, Sekurit glass 4 mm
3	2	Side panel, St, 1.5 mm, RAL 7035
4	1	Cable support rail, St, RAL 7035
5	2	19" slide mounts, St, 2 mm, finish AlZn
6	2	Brush strip (to cover cable entry opening)
7	1	Assembly kit for wall mounting

ORDER INFORMATION

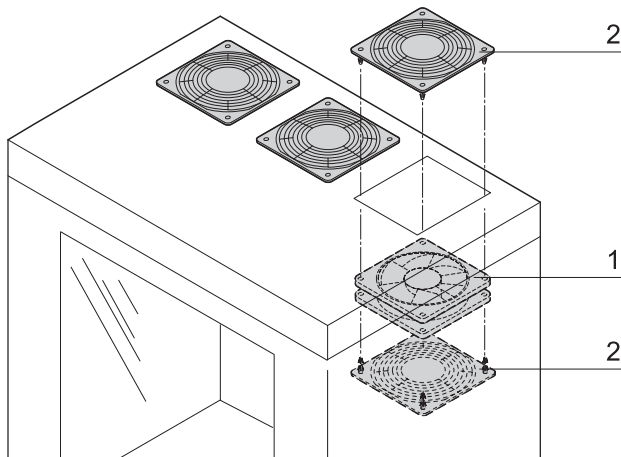
Height U	Height H mm	Width W mm	Depth D mm	E mm	Weight kg	Load-carrying capacity kg	Part no.
9	487	600	300	18	18	60	10236-151
9	487	600	400	18	20	35	10236-152
12	612	600	400	18	24	35	10236-156
12	612	600	500	85	25	30	10236-157
16	812	600	400	18	28	35	10236-160
16	812	600	500	85	30	30	10236-161
16	812	600	600	85	32	25	10236-162
20	962	600	500	85	34	30	10236-165
20	962	600	600	85	38	25	10236-166
GND/earthing, PU 1 kit							21236-097
Brush strip, 1 piece							21236-094
Feet, plastic, black, PU 4 pieces							21236-089
Cable shell for cable bundle 30 ... 34 mm, PU 10 pieces							20114-728
Cable tie 92 mm x 2.5 mm, PU 25 pieces							20118-351
19" assembly kit (screw, washer, nut) (32 x M6 screws x 16, 32 x plastic washers, 32 x cage nuts)							21190-435

NOTE

- Lever handle for single point locking with DIN profile half cylinder is retrofittable, see page 2.28

Wall mounted cases – Epcase

FAN WITH COVERING GRILLE, 230 V_{AC}



01503057

- For assembly in cable ducting openings (top/bottom)
- Assembly of fan by clipping in protective grilles
- Connect up to 3 fans via separate connecting cable

DELIVERY COMPRISES

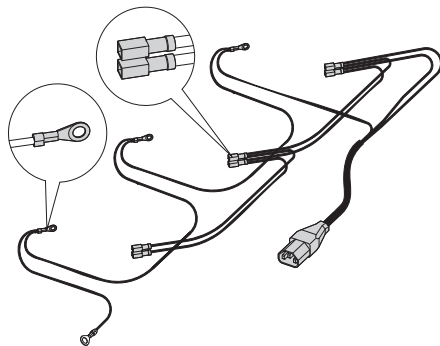
Item	Qty	Description
1	1	230 V _{AC} fan, dimensions 38 x 119 x 119 mm
2	2	Protective grille, plastic, black

ORDER INFORMATION

Description	Part no.
Fan with covering grille, 230 V _{AC}	21236-092
Connecting cable for 1 ... 3 fans IEC-320 male connector, 1 piece	21236-099
Thermostat with mains/line connector, 230 V _{AC} , SCHUKO/UTE connector, IEC-320 female connector, 1 piece	20118-750

TECHNICAL DATA

Frequency	50 Hz	60 Hz
Voltage	230 V _{AC}	230 V _{AC}
Air volume, unrestricted	162 m ³ /h	192 m ³ /h
Noise pressure level	37 dB(A)	41 dB(A)
Max. static pressure	73 Pa	88 Pa
Max. ambient temperature	+70 °C	+70 °C
Power consumption	15 W	14 W



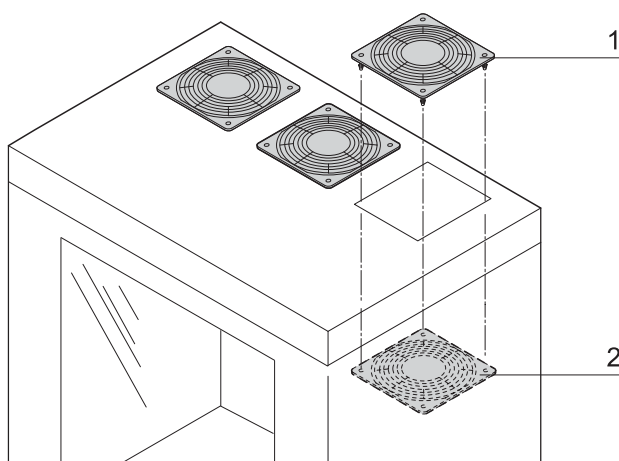
Connecting cable and earthing for 1 ... 3 fans

01505057

NOTE

- Please order connecting cable separately

PROTECTIVE GRILLE



01505058

- For passive cooling
- To cover the opening

DELIVERY COMPRISES

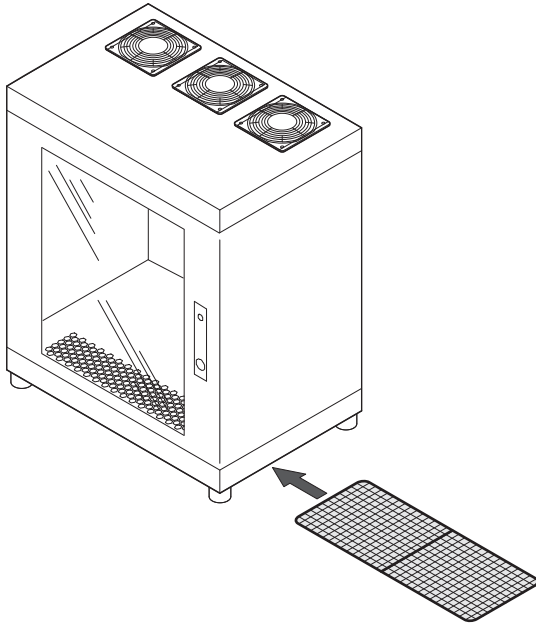
Item	Qty	Description
1	1	Protective grille with pins, plastic, black
2	2	Protective grille with cut-outs, plastic, black

ORDER INFORMATION

Description	Part no.
Protective grille	21236-127

Wall mounted cases – Epcase

AIR FILTER FOR 19" WALL MOUNTED CASE



01505059

- Filtering of the inlet air at the case bottom
- Assembly beneath the case, easy filter replacement
- Filter class G3

DELIVERY COMPRISES

Item	Qty	Description
1	2	Support bracket, St, 1 mm, RAL 7021
2	3	Filter mat with round steel frame, filter class G3
3	1	Assembly kit

ORDER INFORMATION

Description	Part no.
Air filter for case depth 300/400 mm	21236-103
Air filter for case depth 500/600 mm	21236-104
Replacement filter mat for case depth 300/400 mm, PU 3 pieces	21236-125
Replacement filter mat for case depth 500/600 mm, PU 3 pieces	21236-123

LEVER HANDLE FOR SINGLE POINT LOCKING



01005016

- For installation instead of key lock insert
- To open press push-button
- DIN profile half cylinder retrofittable

DELIVERY COMPRISES

Item	Qty	Description
1	1	Lever handle for single point locking
2	1	Assembly kit

ORDER INFORMATION

Description	Part no.
Lever handle for single point locking	23130-067
Accessories	
DIN profile half cylinder, common locking for lever handle (1 key type 333 fits all locks) incl. 2 keys	25127-995
DIN profile half cylinder, common locking for lever handle (1 key type 2233 fits all locks) incl. 2 keys	60130-402

NOTE

- Other locks such as ASSA, KABA or RONIS available on request

Wall mounted cases – Epcase

19" EQUIPMENT SHELF, 1 U



00508006

- Static load-carrying capacity 5 kg
- Mounting height 1 U

DELIVERY COMPRISES

Item	Qty	Description
1	1	Equipment shelf, St, 1.5 mm

ORDER INFORMATION

Width mm	Depth mm	RAL 7035 Part no.
447	390	20118-783
19" assembly kit (screw, washer, nut) (4 x M6 screws x 16, 4 x plastic washers, 4 x cage nuts)		21190-095

19" EQUIPMENT SHELF, 2 U



00508002

- Static load-carrying capacity 10 kg
- Mounting height 2 U

DELIVERY COMPRISES

Item	Qty	Description
1	1	Equipment shelf, St, 1.5 mm

ORDER INFORMATION

Width mm	Depth mm	RAL 7035 Part no.
447	238	20118-785
19" assembly kit (screw, washer, nut) (4 x M6 screws x 16, 4 x plastic washers, 4 x cage nuts)		21190-095

19" EQUIPMENT SHELF, DEPTH-ADJUSTABLE, 2 U



00508009

- Static load-carrying capacity 15 kg
- Mounting height 2 U
- Depth-adjustable in 25 mm increments (front protrusion min. 26 mm)

DELIVERY COMPRISES (kit)

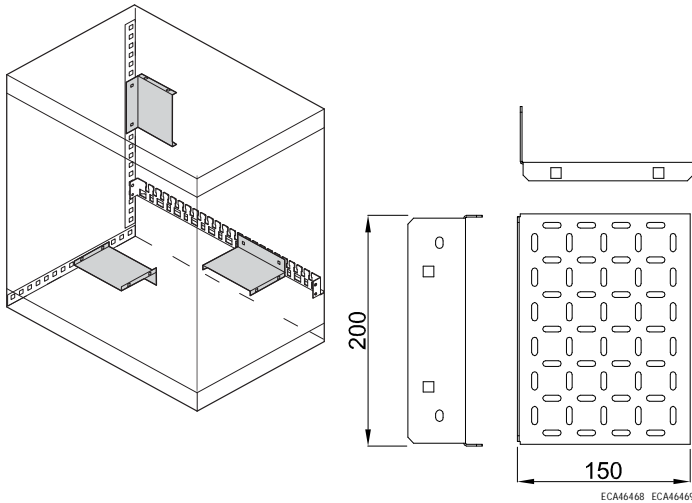
Item	Qty	Description
1	1	Equipment shelf, St, 1.5 mm
2	2	Mounting bracket with assembly kit, St, 1.5 mm

ORDER INFORMATION

Width mm	Depth mm	RAL 7035 Part no.
430	250	
430	300	20118-790
19" assembly kit (screw, washer, nut) (4 x M6 screws x 16, 4 x plastic washers, 4 x cage nuts)		21190-095

Wall mounted cases – Epcase

MODEM SHELF



- For fixing modems and other devices
- Assembly onto the cable support rail or direct onto the case
- Static load-carrying capacity 3 kg

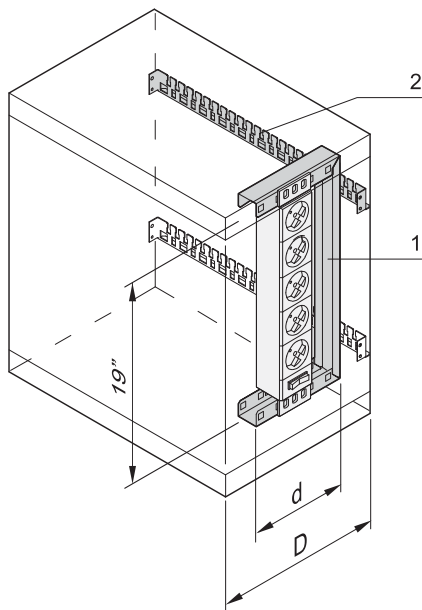
DELIVERY COMPRISES

Item	Qty	Description
1	1	Modem shelf, St, 1.5 mm, RAL 7035
2	1	Assembly kit

ORDER INFORMATION

Width mm	Depth mm	Part no.
200	150	21236-122

VERTICAL 19" PLANE



- For lateral, vertical assembly of 19" components
- Useable for case heights from 12 U

DELIVERY COMPRISES (kit)

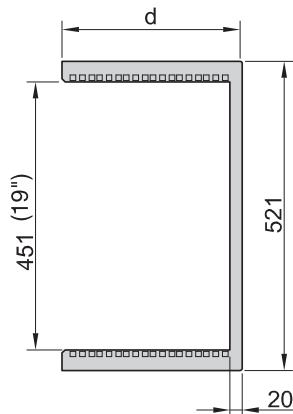
Item	Qty	Description
1	1	Vertical 19" plane, St, 2 mm, RAL 7035
2	1	Cable support rail, St, RAL 7035
3	1	Assembly kit

ORDER INFORMATION

Height U	d mm	For case depth D mm	Part no.
3	167	300 ... 600	21236-120
6	300	400 ... 600	21236-121

Assembly example with 19" socket strip

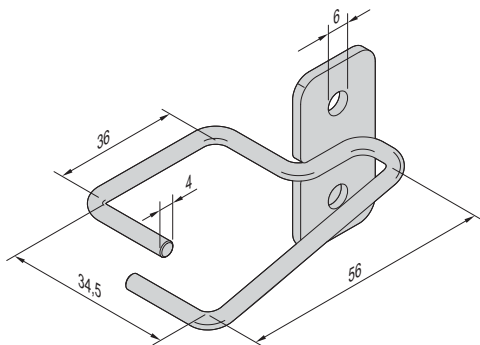
01505062



ECA46477

Wall mounted cases – Epcase

CABLE EYE



01505051

- For cable fixing/ducting laterally on the panel slide mounts

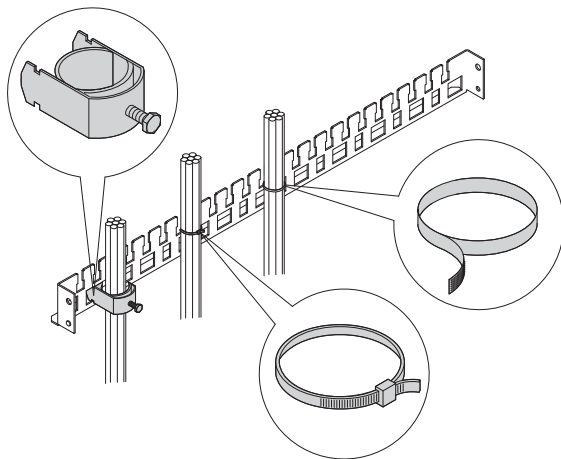
DELIVERY COMPRISES

Item	Qty	Description
1	4	Cable eye, St, 4 mm, zinc-plated
2	1	Assembly kit

ORDER INFORMATION

Description	Part no.
Cable eye	21236-102

CABLE SUPPORT RAIL



01505052

- For strain relief or cable ducting on rear
- Height-adjustable in 25 mm increments

DELIVERY COMPRISES

Item	Qty	Description
1	1	Cable support rail, St, 1.5 mm, RAL 7035
2	1	Assembly kit

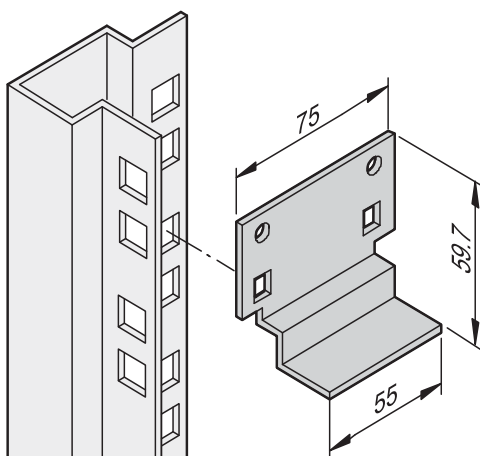
ORDER INFORMATION

Description	Part no.
Cable support rail	21236-090
Cable shell for cable bundle 30 ... 34 mm, PU 10 pieces	20114-728
Cable tie 92 mm x 2.5 mm, PU 25 pieces	20118-351
Velcro strip Polyethylen/Polyamide, black, length 300 mm, PU 10 pieces	20118-624

NOTE

- A cable support rail is already supplied with the 19" wall mounted case

SHORT SLIDE RAIL



sc96xxxx

- Support for heavy 19" chassis
- To attach on 19" slide mounts
- Static load-carrying capacity max. 15 kg per pair

DELIVERY COMPRISES

Item	Qty	Description
1	2 / 10	Short slide rail, St, 1.5 mm, finish AlZn
2	1	Assembly kit

ORDER INFORMATION

Description	Qty/PU	Part no.
Short slide rail	2	23130-094
Short slide rail	10	23130-095

Wall mounted cases – Epcase

10" WALL MOUNTED CASE



- Multi-functional 10" wall case with hinged side panels
- Cable entry possible from above or below; the cable entry opening can be sealed with a brush strip
- 10" slide mounts are depth-adjustable in 25 mm increments

DELIVERY COMPRISES (assembled)

Item	Qty	Description
1	1	Basic case, C-form, St, 2 mm, RAL 7021
2	1	Glazed door with key lock (key no. 2233), frame, St, 1.5 mm, RAL 7035, Sekurit glass, 4 mm
3	2	Side panel, St, 1,5 mm, RAL 7035
4	2	10" panel/slide mounts, St, 1.5 mm, finish AlZn
5	2	Brush strips
6	1	Assembly kit for wall mounting

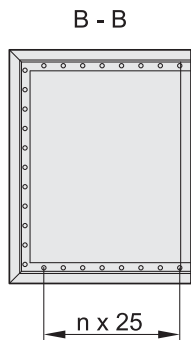
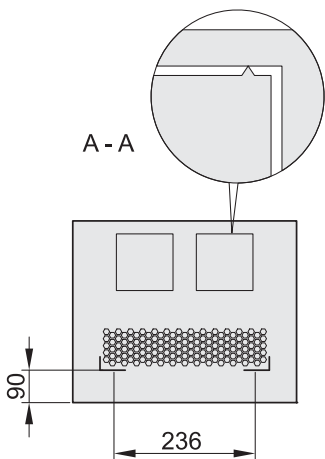
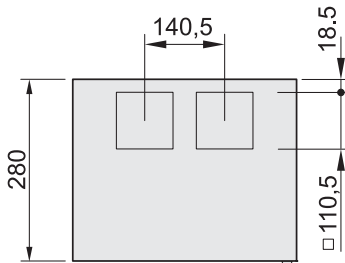
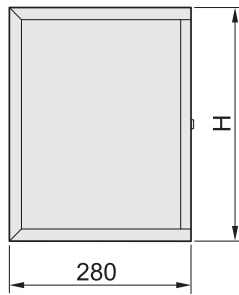
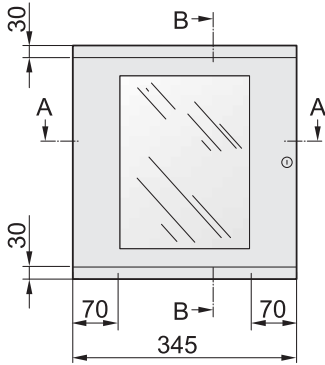
01505007

ORDER INFORMATION

Height U	Height H mm	Width W mm	Depth D mm	Weight kg	Part no.
4	262	345	280	5	10238-151
8	462	345	280	10	10238-152
12	612	345	280	23	10238-153
GND/earthing, PU 1 kit					21236-097
Cable tie 92 mm x 2.5 mm, PU 25 pieces					20118-351
19" assembly kit (screw, washer, nut) (32 x M6 screws x 16, 32 x plastic washers, 32 x cage nuts)					21190-435
Feet, plastic, black, PU 4 pieces					21236-089

NOTE

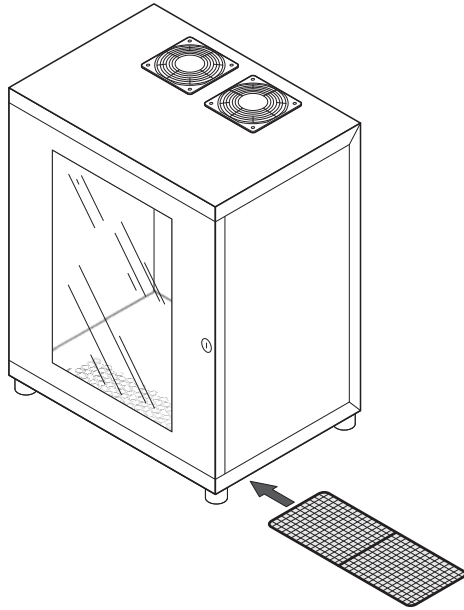
- Lever handle and DIN profile half cylinder cannot be retrofitted



eca46478

Wall mounted cases – Epcase

AIR FILTER FOR 10" WALL MOUNTED CASE



01506050

- Filtering of the inlet air at the case bottom
- Assembly beneath the case, easy filter replacement
- Filter class G3

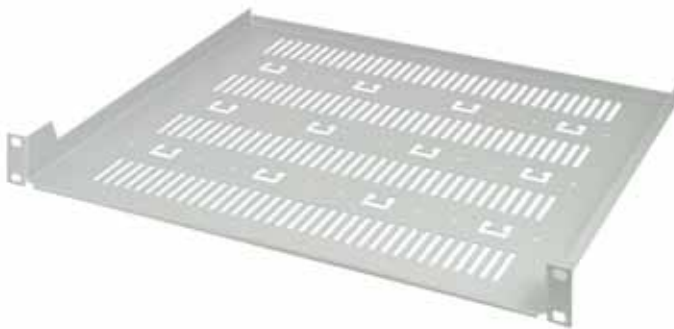
DELIVERY COMPRISES

Item	Qty	Description
1	2	Support bracket, St, 1 mm, RAL 7021
2	3	Filter mat with round steel frame, filter class G3
3	1	Assembly kit

ORDER INFORMATION

Description	Part no.
Air filter for 10" wall mounted case	21236-095
Replacement filter mat for 10" wall mounted case PU 3 pieces	21236-126

EQUIPMENT SHELF FOR 10" WALL MOUNTED CASE



00508006

- Static load-carrying capacity 5 kg
- Mounting height 1 U
- Width 10" (254 mm)

DELIVERY COMPRISES

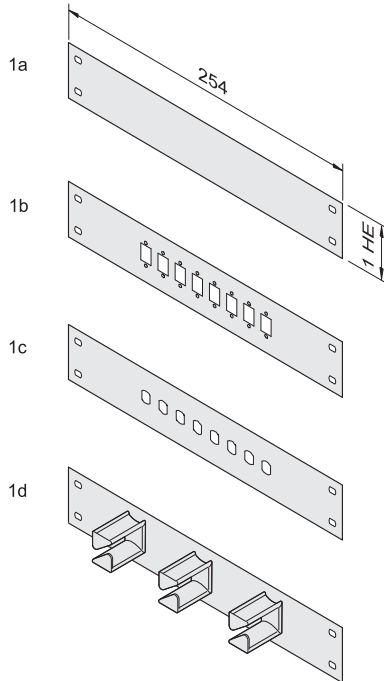
Item	Qty	Description
1	1	Equipment shelf, St, 1.5 mm, RAL 7035
2	1	Assembly kit

ORDER INFORMATION

Width mm	Depth mm	Part no.
220	150	20118-716

Wall mounted cases – Epcase

10" FRONT PANELS



- Height 1 U
- Width 10" (254 mm)

DELIVERY COMPRISES

Item	Qty	Description
1	1	Front panel, St, 1.5 mm, RAL 7035

ORDER INFORMATION

Item	Description	Qty/PU	Part no.
1a	10" blank front panel, St, 1.5 mm, RAL 7035	1	20118-717
1b	10" front panel, 8 ports SC, St, 1.5 mm, RAL 7035	1	20118-713
1c	10" front panel, 8 ports ST, St, 1.5 mm, RAL 7035	1	20118-714
1d	10" front panel with 3 plastic cable eyes, St, 1.5 mm, RAL 7035	1	20118-715
Assembly kit PU = 8 × screw, washer, nut			21100-435

01503053

Wall mounted cases – Epcase

10" SOCKET STRIP, 1 U



- Socket strip with four socket inserts
- Bracket for mounting on 10" upright is included

DELIVERY COMPRISES

Item	Qty	Description
1	1	Socket strip 10", 1 U, 4 socket inserts, 2 m connecting cable with SCHUKO/UTE connector
2	2	Mounting bracket for 10" assembly

ORDER INFORMATION

Description	Part no.
10" socket strip, 4 SCHUKO socket inserts	60110-201
Socket strip 10", 4 UTE socket inserts	60110-220
Assembly kit PU = 8 × screw, washer, nut	21100-435

00704001

North America

Warwick, RI, USA

Tel +1.800.525.4682

San Diego, CA, USA

Tel +1.800.854.7086

Europe, Middle East & India

Straubenhardt, Germany

Tel +49 7082 794 0

Betschdorf, France

Tel +33 3 88 90 64 90

Warsaw, Poland

Tel +48 22 209 98 35

Hemel Hempstead,

Great Britain

Tel +44 1442 24 04 71

Lainate, Italy

Tel +39 02 932 714 1

Dubai, United Arab Emirates

Tel +971 4 37 81 700

Bangalore, India

Tel +91 80 67152000

Istanbul, Turkey

Tel +90 216 250 7374

Asia Pacific

Shanghai, China

Tel +86 21 2412 6943

Singapore

Tel +65 6768 5800

Shin-Yokohama, Japan

Tel +81 45 476 0271

Our powerful portfolio of brands:

CADDY ERICO HOFFMAN RAYCHEM SCHROFF TRACER



[nVent.com/SCHROFF](https://www.nVent.com/SCHROFF)