

# W40L100-MLM1FG

## 40" 4K2K UHD Defence Display



### KEY FEATURES

- 40" 4K2K UHD Protective Glass Rack Mount Defence Display (3840 x 2160) native resolution
- Compliant MIL-STD 810G/ MIL-STD 461E
- Rack mount mechanical design, supports VESA mount
- AR protection glass
- Defence-grade power connector (MIL-DTL-38999/1)
- AC 100~240V, Universal,  $\pm 10\%$ ; DC 9~36V,  $\pm 10\%$  (Optional)
- Convenient on-screen display controls



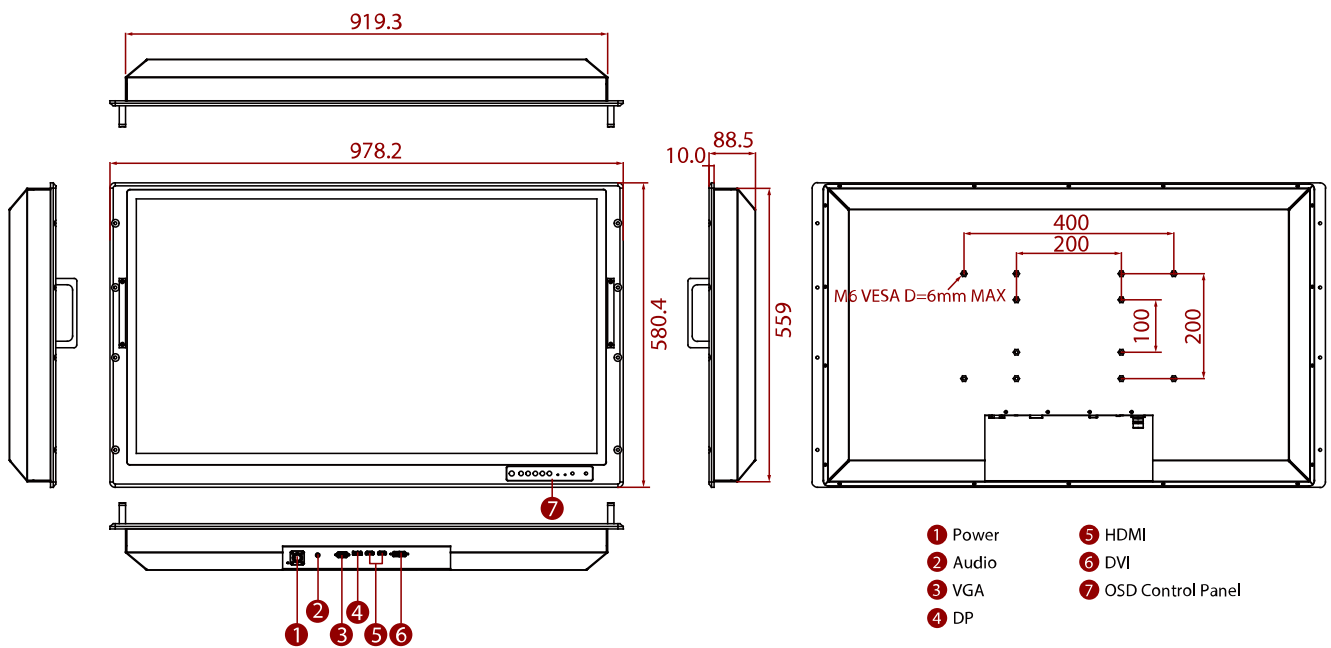
### SPECIFICATIONS

Display	
<b>Resolution</b>	3840x2160
<b>Contrast Ratio</b>	5000:1
<b>Display Color</b>	1.07G (8-bit+FRC) Colors
<b>Active Area</b>	878.112 x 485.352 mm
<b>Size</b>	40 inches
<b>Panel Brightness</b>	350 nits
<b>View Angles</b>	89,89,89,89
<b>Touch / Glass</b>	AR Protection Glass EMI ITO Glass (Optional)
Environment	
<b>Operating Humidity</b>	10% to 95% RH
<b>Storage Temperature</b>	-10°C~60°C
<b>Operating Temperature</b>	0~50°C
Certification	
<b>Certification</b>	CE, FCC
Compliance	
<b>MIL-STD 461E/F</b>	RE101 / RE102 CE101 / CE102 with EMI Glass / Touch(Optional) RS101 / RS 103 CS101 / CS 106 / CS 109 / CS 114 / CS 115 / CS 116
<b>MIL-STD 810F/G</b>	Vibration Method 514.5 Humidity Method 507.4 Transit Drop Method 516.5
IO Ports	
<b>Serial Port</b>	1 x RS232 for Remote Control (Optional)
<b>Video</b>	1 x VGA 1 x DVI 1 x Display Port 1.2 1 x HDMI 1.4 (Optional) 1 x HDMI 2.0 (Optional)
<b>Audio</b>	1 x Audio Line In (Optional)
Mechanical	
<b>Dimension</b>	978.2 x 580.4 x 88.5 mm
<b>Enclosure</b>	Metal
<b>Mounting</b>	VESA Mount/ Rack Mount
<b>Cooling System</b>	Fanless Design
Accessory	
<b>Accessory</b>	1 x User Manual(Hardcopy) 1 x Power Cord MILDTL38999/1 1 x VGA Cable
<b>Optional Accessory</b>	1 x Audio cable

1 x DVI Cable  
 2 x HDMI Cable  
 1 x DP Cable

<b>Power</b>	
<b>Power Rating</b>	AC 100~240V, Universal, ±10% DC 9~36V, ±10% (Optional)
<b>Control</b>	
<b>Button</b>	7 key: Power Decrease Increase Exit/ Auto Menu Day/ Night Lock/ Unlock

**DIMENSIONS** UNIT:MM



**NOTE**

1. This is a simplified drawing and some components are not marked in detail.
2. If you require an external test report, Winmate will charge an NRE fee.
3. Please contact our sales representative if you need further product information.
4. All specifications are subject to change without prior notice.
5. The product shown in this datasheet is a standard model. For diagrams that contain customized or optional I/O, please contact the Winmate Sales Team for more information.