

W24L100-MRL1FP

23.8" 4K UHD Marine Display



KEY FEATURES

- 23.8" 4K UHD with projective capacitive multi-touch screen
- Multi Video Output ,VGA+DVI+HDMI+DP
- 24V DC power input
- fanless cooling system

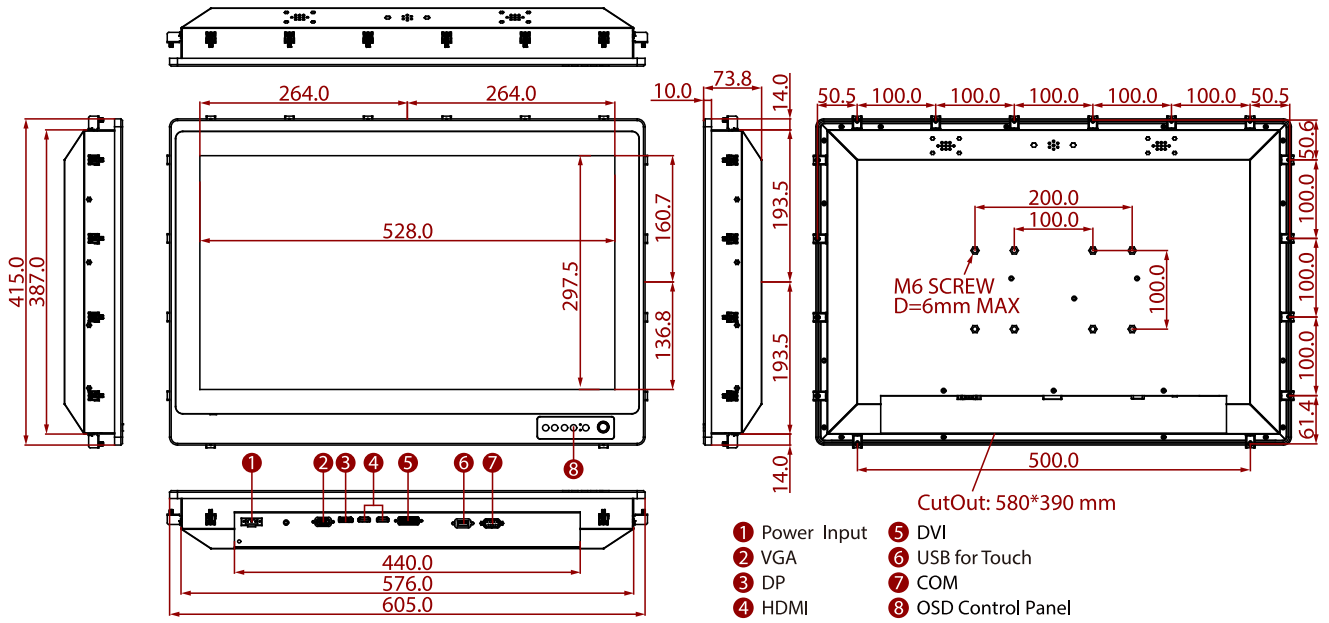


SPECIFICATIONS

Display			
Touch / Glass	Projected Capacitive Multi Touch Screen AR Glass (Optional)	Resolution	3840x2160
Size	23.8 inches	Contrast Ratio	1200:1
Panel Brightness	540 nits	Display Color	1.07B Colors
View Angles	89,89,89,89	Active Area	525.65x295.70 mm
Environment			
Operating Humidity	5% to 95%	Operating Temperature	-15~55°C
Shock	15G,11ms duration	Vibration	0.7g@DNVGL CG-0339 (Class A)
IP rating	IP66 (Front Side)		
Certification			
Certification	CE, FCC		
IO Ports			
USB Port	1 x USB Type A	Serial Port	1 x RS232 for remote control
Video	1 x VGA 1 x DVI-D 1 x HDMI 1.4 1 x HDMI 2.0 1 x DP		
Mechanical			
Dimension	601 x 415 x 73.8 mm	Mounting	VESA Mount/ Panel Mount
Enclosure	Anodized Aluminum Bezel	Cooling System	Fanless Design
Cut out	570 x 360 mm		
Power			
Power Rating	24V DC in		
Accessory			
Accessory	User Manual Quick Start Guide (Hardcopy) M4 x 12 Black Screw Bolts AC to DC Adapter Power Cord 3 Pin Terminal Block 1 x VGA cable	Optional Accessory	1 x USB cable

- 1 x DVI cable
- 1 x HDMI cable
- 1 x RS232 cable

DIMENSIONS UNIT:MM



NOTE

1. This is a simplified drawing and some components are not marked in detail.
2. Please contact our sales representative if you need further product information.
3. All specifications are subject to change without prior notice.
4. The product shown in this datasheet is a standard model. For diagrams that contain customized or optional I/O, please contact the Winmate Sales Team for more information.