

# R15IB3S-MLA3HB

## 15" Intel® Celeron® N2930 G-WIN Defence Panel PC



### KEY FEATURES

- Build in ambient Light sensor
- High Quality 15" Panel, 1024x768 resolution, 1000 nits
- 5 Wire Resistive Touchscreen(Optional) / Anti-Reflection Protection Glass
- 802.11 a/b/g/n Wireless LAN with Antenna (Optional)
- Aluminum Housing with Anti-Corrosion Treatments
- Anti-Shock and Vibration Standard according to MIL-STD-810F/G & IEC60068-2-27
- Fanless Design
- Full IP65 Dust/water resistant Protection (Except I/O parts)
- Defence grade power connector
- Ultra Low Power and High Performance Intel® Bay Trail N2930 1.83 GHz
- Wide Range 9 to 36 V DC Input (Optional)

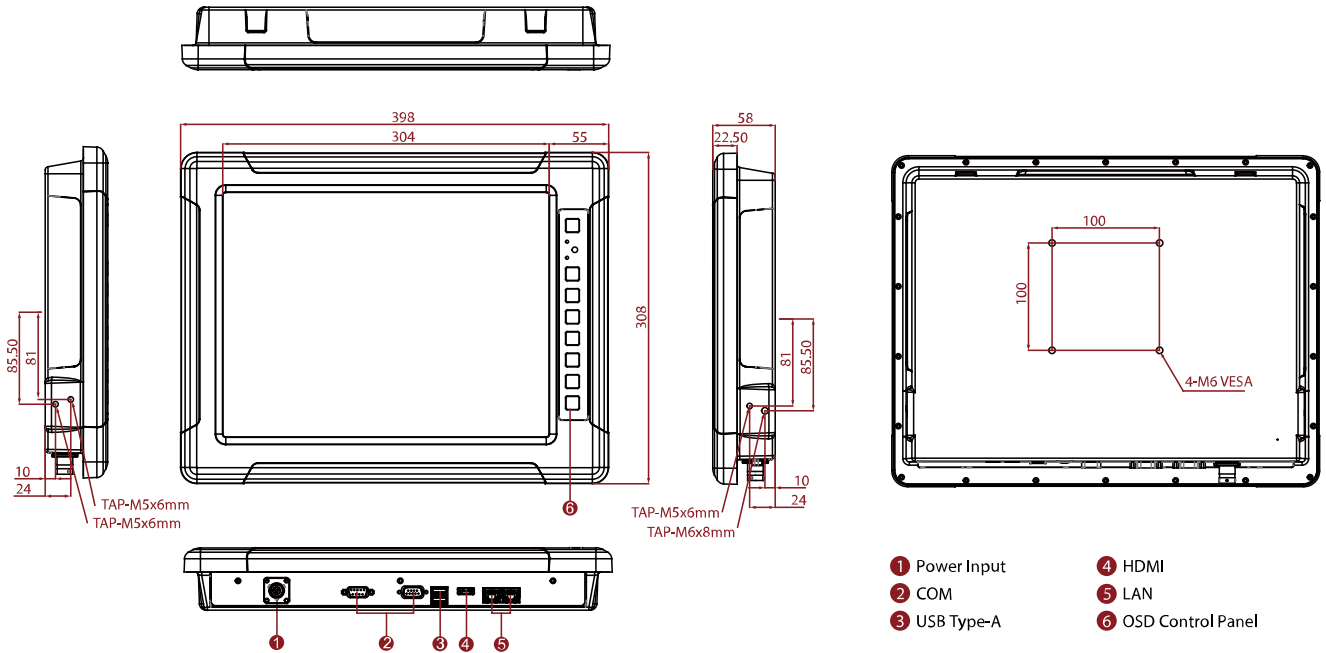


### SPECIFICATIONS

Display			
<b>Resolution</b>	1024x768	<b>Size</b>	15 inches
<b>Contrast Ratio</b>	2500:1	<b>Panel Brightness</b>	1000 nits
<b>View Angles</b>	88,88,88,88	<b>Active Area</b>	304.1x228.1 mm
<b>Touch / Glass</b>	AR Protection Glass 5 Wires Resistive Touch (Optional) 5 Wire Resistive with EMI Mesh Filter (Optional) EMI Glass (Optional)		
System Specification			
<b>Processor</b>	Intel® Celeron® N2930 (2M Cache, up to 2.16 GHz)	<b>Memory</b>	1 x SO-DIMM, DDR3L 1600 MHz, 4GB 8GB (Optional)
<b>Storage</b>	1 x mSATA SSD 128GB. mSATA SSD up to 512GB. (Optional)	<b>Ethernet controller</b>	2 x Intel® Ethernet Controller
<b>Operating System</b>	Windows 10 IoT Enterprise (Optional) Linux Ubuntu 20.04 (Optional)	<b>WLAN</b>	Support (Optional)
<b>BT</b>	Support (Optional)		
Environment			
<b>Operating Humidity</b>	10% to 95% RH	<b>Operating Temperature</b>	-20°C~60°C
<b>Storage Temperature</b>	-30°C~70°C	<b>Shock</b>	Operating:30g for 18ms
<b>Vibration</b>	Operating: 1.60/1.96/2.18 g rms for XYZ / 5-500Hz		
Compliance			
<b>MIL-STD 461E/F</b>	RE101 / RE102 CE101 / CE102 with EMI Glass / Touch(Optional) RS101 / RS 103 CS101 / CS 106 / CS 109 / CS 114 / CS 115 / CS 116	<b>MIL-STD 810F/G</b>	Vibration Method 514.5 Humidity Method 507.4 Transit Drop Method516.5

Certification			
Certification	CE, FCC		
IO Ports			
USB Port	1 x USB2.0 1 x USB3.0	Serial Port	1 x RS-232(Default)/422/485 1 x RS-232 (Optional)
Video	1 x HDMI (Optional)	LAN	2 x RJ-45
Mechanical			
Dimension	398 x 308 x 58 mm	Mounting	VESA Mount
Enclosure	Metal Housing with Aluminum Bezel	Cooling System	Fanless Design
Accessory			
Accessory	User Manual Driver CD and User Manual Touch Driver CD Open Wire Cable 100~240V AC to DC Adapter Power Cord		
Power			
Power Rating	12V DC (MIL-DTL-38999/1 connector) 9V to 36V wide range (Optional)		
Control			
Button	8 key: Power Reset Lock/Unlock Auto Dimming/Manually Day/Night Mode Brightness Up Brightness Down LED Adjustment		

## DIMENSIONS UNIT:MM



## NOTE

1. R15IB3S-MLA3HB

