

# I330EAC-ITW-6L

## Intel® Core™ i5-1135G7 Marine Computer



### KEY FEATURES

- Intel® Tiger Lake Core™ i5-1135G7, Marine computer
- RAM 4G DDR4L (Up to 32G)
- Removable 2.5" SSD drive bay
- 6 x LAN port
- Isolation Power Protection 1.5KV
- DNVGL-CG-0339, IEC60945 Certificate



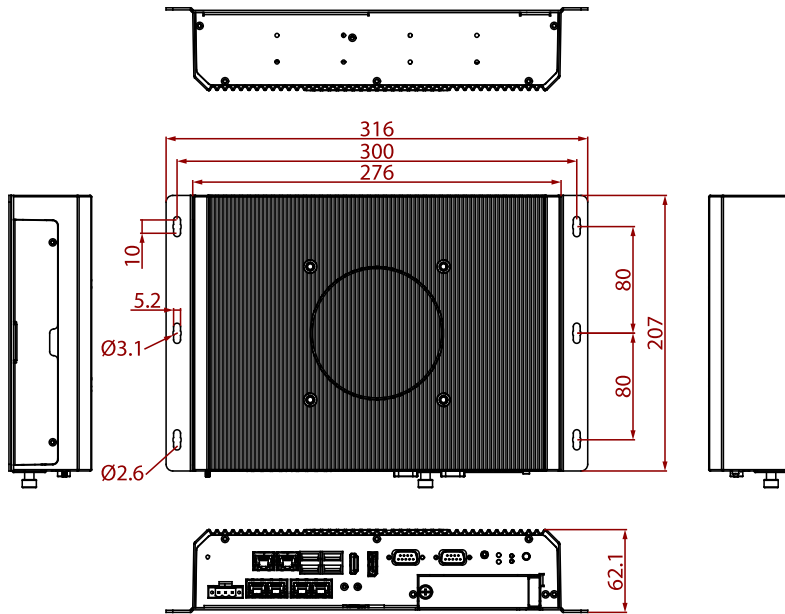
### SPECIFICATIONS

| System Specification      |  |                              |   |
|---------------------------|--|------------------------------|---|
| <b>Processor</b>          | Intel Core i5-1135G7 2.4GHz (up to 4.2GHz)                                 | <b>Memory</b>                | 2 x SODIMM, DDR4 2133 MHz, 4G<br>8GB (Optional)<br>16GB (Optional)<br>32GB (Optional) |
| <b>Storage</b>            | 1 x M.2 128GB<br>256GB (Optional)<br>512GB (Optional)                      | <b>Ethernet controller</b>   | Intel® Ethernet Controller I211-AT +<br>Intel® Ethernet Connection I219-LM            |
| <b>Operating System</b>   | Windows 10 IoT Enterprise (Optional)                                       |                              |   |
| Environment               |  |                              |   |
| <b>Operating Humidity</b> | 5% to 95%  | <b>Operating Temperature</b> | -15~55°C  |
| <b>Shock</b>              | 15G, 11ms duration   | <b>Vibration</b>             | 0.7g@DNVGL CG-0339 (Class A)  |
| Certification             |  |                              |   |
| <b>Certification</b>      | CE / FCC<br>DNVGL-CG-0339<br>IEC 60945 4th Edition (Test Report Available) |                              |   |
| IO Ports                  |  |                              |   |
| <b>USB Port</b>           | 4 x USB 3.0  | <b>Serial Port</b>           | 2 x RS232/422/485   |
| <b>Video</b>              | 1 x Display Port<br>1 x HDMI Output (Optional)                             | <b>Audio</b>                 | 1 x Audio combo 3.5mm audio combo jack  |
| <b>Expansion Port</b>     | 2 x 2.5" Removable 64GB SSD/HDD up to 512GB (Optional)                     | <b>LAN</b>                   | 6 x Giga LAN  |
| Mechanical                |  |                              |   |
| <b>Dimension</b>          | 316.44 x 206.8 x 62.1 mm<br>(With Mounting)                                | <b>Weight</b>                | 3.9 kg  |
| <b>Mounting</b>           | table mount  | <b>Enclosure</b>             | Aluminum  |
| <b>Cooling System</b>     | Fanless Design   |                              |   |
| Power                     |  |                              |   |
| <b>Power Rating</b>       | 24V DC In (Approval by Certificate)<br>9~36V DC Input Acceptable           | <b>Consumption</b>           | 50W   |
| Control                   |  |                              |   |
| <b>Button</b>             | 1 x Power Button<br>1 x Reset Button                                       |                              |   |

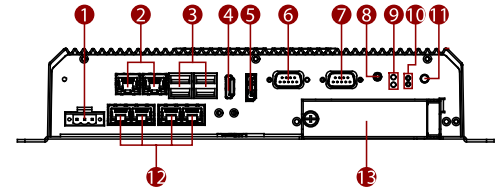
## Accessory

|           |  |
|-----------|--|
| Accessory | 1 x Quick Start Guide(Hardcopy)<br>1 x Driver CD & User Manual<br>1 x Power Cord<br>1 x AC Adapter12V/ 84W |
|-----------|--|

## DIMENSIONS UNIT:MM



Front side I/O



## NOTE

1. This is a simplified drawing and some components are not marked in detail.
2. Please contact our sales representative if you need further product information.
3. All specifications are subject to change without prior notice.
4. The product shown in this datasheet is a standard model. For diagrams that contain customized or optional I/O, please contact the Winmate Sales Team for more information.