

FM10E-VML

10.4" Intel Atom® x6425E Vehicle Mounted Computer Defence Panel PC



KEY FEATURES

- Intel® Elkhart lake x6425E Processor
- 10.4" 1024 x 768 Panel with PCAP touch screen
- IP65 waterproof and dustproof
- Wide power input 9-36V DC with ignition
- Wide range operating temperature
- Support VESA Mount
- IO ports with Defence grade 38999 connectors
- Compliant MIL-STD 810H/ MIL-STD 461F

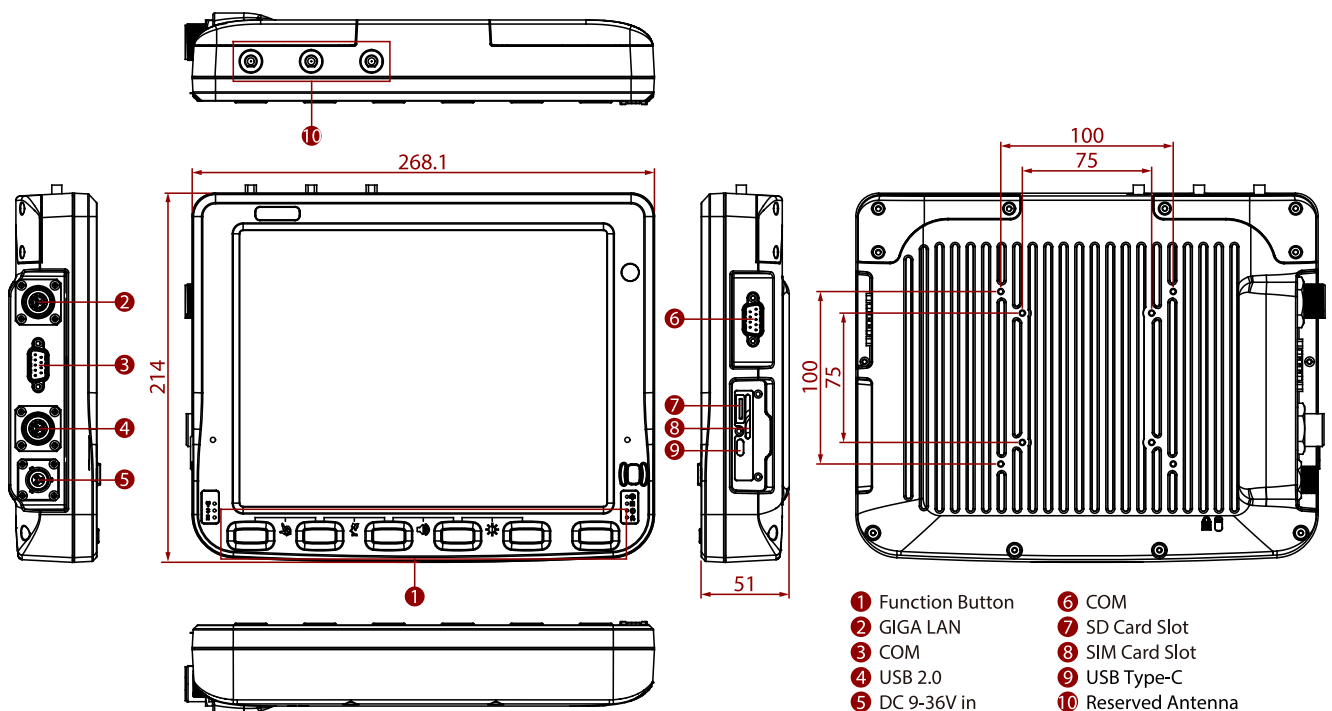


SPECIFICATIONS

Display	
Resolution	1024x768
Contrast Ratio	1200:1
View Angles	88,88,88,88
Size	10.4 inches
Panel Brightness	400 nits 800 nits(Optional)
Type	Projected Capacitive Multi Touch
System Specification	
Processor	Intel Elkhart Lake x6425E Processor , 2.0 GHz
Memory	4GB SODIMM DDR4-3200 8GB SODIMM DDR4-3200 (Optional)
Storage	128GB M.2 SSD 256GB M.2 SSD (Optional)
Security	TPM 2.0
Operating System	Windows 10 IoT Enterprise
WLAN	Support
BT	Support
WWAN	4G/LTE (Optional)
GNSS	GPS/GLONASS (Optional)
Sensors	G-Sensor, Light Sensor ,Temp Sensor
Camera	
Front Camera	2MP Camera
Environment	
Operating Humidity	5% to 90% RH, Non-Condensing
Operating Temperature	-30°C to 50°C
Storage Temperature	-30°C to 60°C
Shock	MIL-STD-810H Method 516.8 Procedure I
Vibration	MIL-STD-810H Method 514.8 Procedure I
IP rating	IP65 Certified, Waterproof and Dustproof
Impact	Support EN62262 IK07 Rating
ESD	Compliant with EN 61000-4-2, enhanced ESD to ±12kV direct & ±15kV air
Certification	
Certification	CE, FCC, UL60950-1, EN60950-1, PTCRB, FCC (Electromagnetic Emissions), IC (ICES-003)
Compliance	
MIL-STD 461E/F	RE101 / RE102 CE101 / CE102 with EMI Glass / Touch(Optional) RS101 / RS 103 CS101 / CS 106 / CS 109 / CS 114 / CS 115 / CS 116

Control			
Button	1 x Power Button, 6 x Function Button (Programmable Function Key Configured by Winset)		
IO Ports			
USB Port	1 x USB Type-C 1 x USB 2.0 Type-A (MIL-DTL-38999/3 connector)	Serial Port	2 x RS232/422/485 (Default RS232)
SD Card Slot	1 x Micro SD Card Slot	SIM Card Slot	1 x Dual-Nano SIM Card Slot
LAN	1 x Gigabit LAN port (MIL-DTL-38999/1 connector)	Indicator	6 x LED Indicator (WLAN, BT, UPS battery, HDD, Screen Blanking, Heater)
Mechanical			
Dimension	268.1 x 214 x 51 mm	Weight	2.4kg
Mounting	RAM Mount/ VESA Mount	Cooling System	Fanless Design
Security Function			
SOTI MobiControl	SOTI MobiControl Compliance		
Accessory			
Accessory	1 x Quick Start Guide 1 x Power Cable (MIL-DTL-38999/1) 1 x USB Cable (MIL-DTL-38999/3) 1 x LAN Cable (MIL-DTL-38999/1) 1 x 84W Power Adapter 1 x Power converter Cable	Optional Accessory	1.8M RS232 Cable GPS & LTE 2M Combo Antenna(VM240) GPS & LTE 5M Combo Antenna (VM9C) GPS & LTE Combo Antenna (VM10S) WWAN Antenna GPS Antenna
Power			
Battery	400mAh UPS Battery for 20 minutes backup (Optional)	Power Rating	9V~36V with ignition control (MIL-DTL-38999/1 connector)

DIMENSIONS UNIT:MM



NOTE

1. Total usable memory will be less dependent upon actual system configuration.
2. SOTI is available upon request.
3. Length measurements do not include protrusions. Weight varies with options.
4. Measured at dimming LCD brightness. Varies depending on the usage conditions, or when an external device is attached.
5. Accessories may vary depending on your configuration.
6. This is a simplified drawing and some components are not marked in detail.
7. The product shown in this datasheet is a standard model. For diagrams that contain customized or optional I/O, please contact the Winmate Sales Team for more information.