

AI Inference / DeviceEdge

Jetson System AN810-XXN-BN70/ AN810-XXN16-BN70



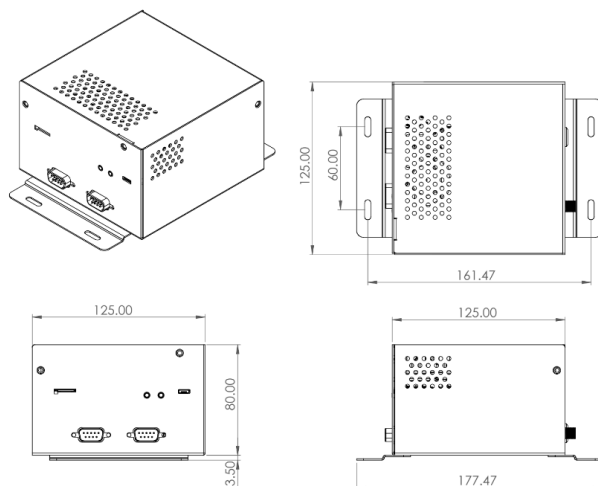
Features

- Support NVIDIA Jetson Module at Xavier NX.
- DC 12V power input.
- Buid-in 1 x GbE LAN.
- Support M.2 M-key 2280(PCIe x4 / SATA), M.2 E Key 2230(USB2.0/PCIe x1), and M.2 B Key 3042/52(USB3.2 Gen2)
- Operating temperature range from -20°C~70°C

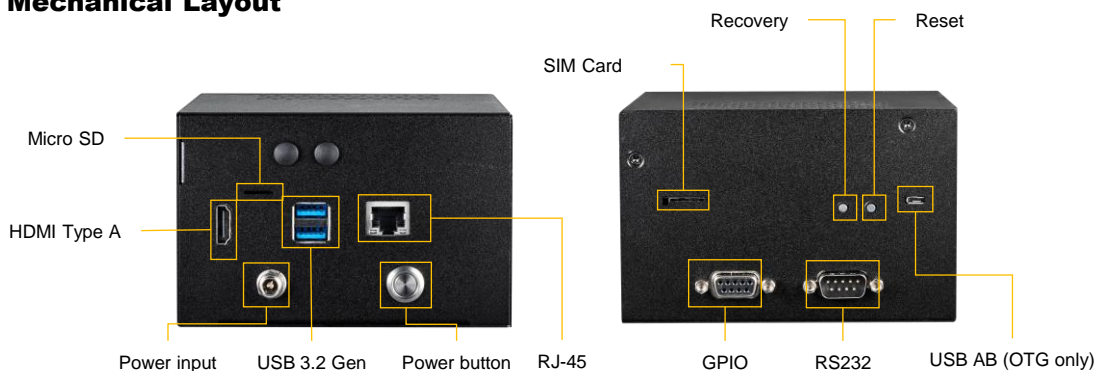
Specifications

Model Number	AN810-XXN-BN70	AN810-XXN16-BN70
Module Compatibility	Nvidia Jetson Xavier NX	
Storage	16GB eMMC 5.1 Flash	
Display	1 x HDMI Type A	
Audio	HDMI Integrated	
LAN	1 x RJ-45 for GbE	
USB	2 x USB3.2 Gen1 Type A 1 x USB2.0 Micro AB OTG	
I/O Interfaces	5 x GPIO, 3 x I ² C, 1 x CAN bus, 1 x SPI	
Expansion	1 x M.2 M Key 2280 (PCIe x4 / SATA) 1 x M.2 E Key 2230 (USB2.0/PCIe x1) 1 x M.2 B Key 3042/52 (USB3.2 Gen2) 1 x 120-pins Connector for MIPI CSI-II	
MISC. Function	1 x Power Button 1 x Recovery Button 1 x Reset Button 3 x UART (UART 3 only for debug)	
Power Input /Connector	12V DC / 6 Pin Micro Fit)	
Dimension(Wx Dx H)	125 x 125 x 80mm	
Net Weight	790g	
Mounting	Din Rail (Optional)	
Temperature	Operating Temperature: -20°C ~ +70°C Storage Temperature: -40°C ~ +85°C	
Humidity	5 to 90% @ 40°C Related Humidity, Non-condensing	
Certification	CE/FCC Class A	

System & Mounting Dimensions



I/O Mechanical Layout



Ordering Information

Model name	Description
AN810-XNX-BN70	AN810 + NX MODULE + FAN -20~70°C
AN810-XNX16-BN70	AN810+XNX-16 MODULE+FAN -20~70°C

Packing List

Part No.	Description
31-030000-0005	2.5mm DC JACK CABLE to 2 x 3P 4.2mm Housing 100mm
32-010000-0005	US POWER CORD
32-010000-0006	EU POWER CORD
	*Select one according to use of territory

Accessory (Optional)

Part No.	Description
53-0G8265-0000	WiFi Bluetooth Module Dual Band Wireless-AC w/I-PEX MHF4 COAXIAL and 3DBI Antenna Cable 0~80°C
55-AAN810-Z000	AN810 Din Rail Kit Assy

