

AI Inference / DeviceEdge

Jetson System AN110-NAO-EN70/ AN110-XNX-EN70



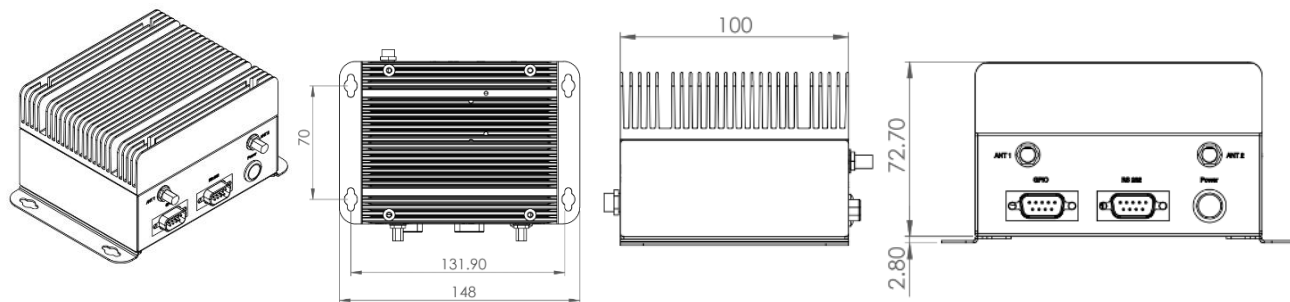
Features

- Support NVIDIA Jetson Module at Jetson Nano and Jetson Xavier NX.
- DC 12V power input.
- Buid-in 1 x GbE LAN port.
- Support M.2 E-key 2230 for Wifi/BT Function.
- Operating temperature range from -20°C~55°C

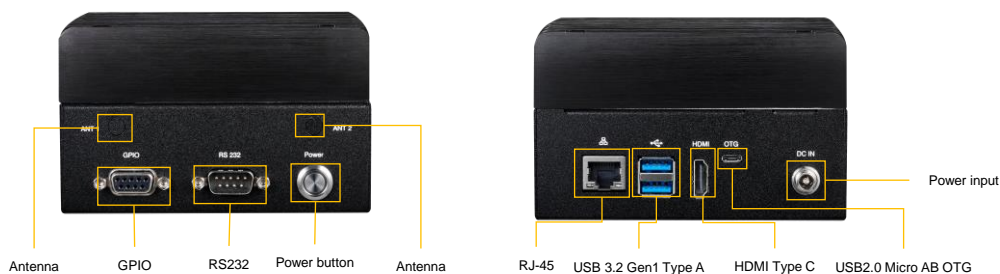
Specifications

Model Number	AN110-NAO-EN70	AN110-XNX-EN70
Module Compatibility	Nvidia Jetson Nano	Nvidia Jetson Xavier NX
Storage	16GB eMMC 5.1 Flash	
Display	1 x HDMI 2.0 Type A / 1 x eDP	
Audio	HDMI Integrated	
LAN	1 x RJ-45 (Internal)	
USB	2 x USB 3.2 Gen1 Type A 1 x USB2.0 Micro AB OTG	
I/O Interfaces	5 x GPIO, 1 x RS-232	
Expansion	1 x 2-Lanes MIPI CSI-II FPC 15 pins 1 x 4-Lanes MIPI CSI-II FPC 36 pins 1 x M.2 E Key 2230 (BT/WIFI) 1 x MicroSD card slot	
MISC. Function	1 x Power Button 2 x Antenna (Optional)	
Power Input /Connector	1 x DC-in 12V / DC Jack 4pin	
Dimension(Wx Dx H)	120 x 72.5 x 100mm	
Mounting	Din Rail	
Net Weight	880g	
Temperature	Operating Temperature: -20°C ~ +55° Storage Temperature: -40°C ~ +85°C	
Humidity	5 to 90% @ 40°C Related Humidity, Non-condensing	
Certification	CE/FCC Class A	

System & Mounting Dimensions



I/O Mechanical Layout



Ordering Information

Model name	Description
AN110-NAO-EN70	AN110 + Nano Module + CHASSIS + Power Adapter -20°C to +55°C
AN110-XNX-EN70	AN110 + NX Module + CHASSIS + Power Adapter -20°C to +55°C

Packing List

Part No.	Description
53-0F0000-0002	Power Adapter, 100-240V power input, 60W power output with 12VDC/5A
7W8000000040	US Power Cord SVT 18AWG Cable 1800mm Black 105 °C
7W8000000050	EU Power Cord H05VV-F 0.75mm ² /3G SL-6+SL-3 Cable 1800mm Black
9Z3BC0000020	100-240V 60W 12V 5A Adapter

Accessory (Optional)

Part No.	Description
53-0G8265-0000	WiFi Bluetooth Module Dual Band Wireless-AC w/I-PEX MHF4 COAXIAL and 3DBI Antenna Cable 0-80°C
55-AAN110-Z000	AN110 Din Rail Kit Assy

