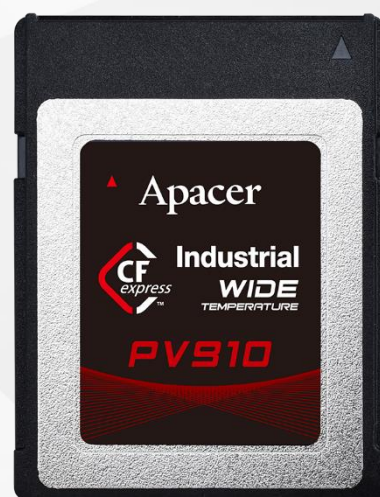


Apacer

The Most **Reliable**
Storage For Industries

PV910-CFX

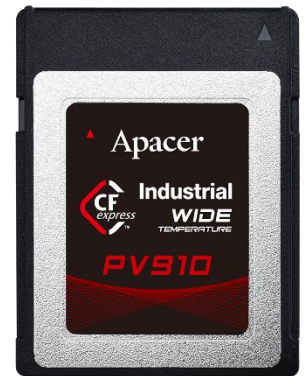


PV910-CFX

Overview

Apacer Industrial CFexpress PV910-CFX is the next generation Solid State Drive (SSD) with compact and removable storage to support larger, faster hosts deployed in a wide range of applications that require outstanding performance.

PV910-CFX provides full compliance with the latest PCIe Gen3 x2 (two-lanes) and NVMe Express 1.3 interface specifications which allows the SSD to deliver exceptionally low latency and high performance, up to 1,770 MB/s read and 1,265 MB/s write. This new standard is designed for a variety of applications ranging from industrial, imaging, high-speed computing to enterprise markets.



* The actual available memory on the device is less than what is listed on the package. This is due to small discrepancies in file formats and algorithms used by various operating systems. In addition, a portion of memory space is reserved for system files and data sectors for better performance.

PV910-CFX

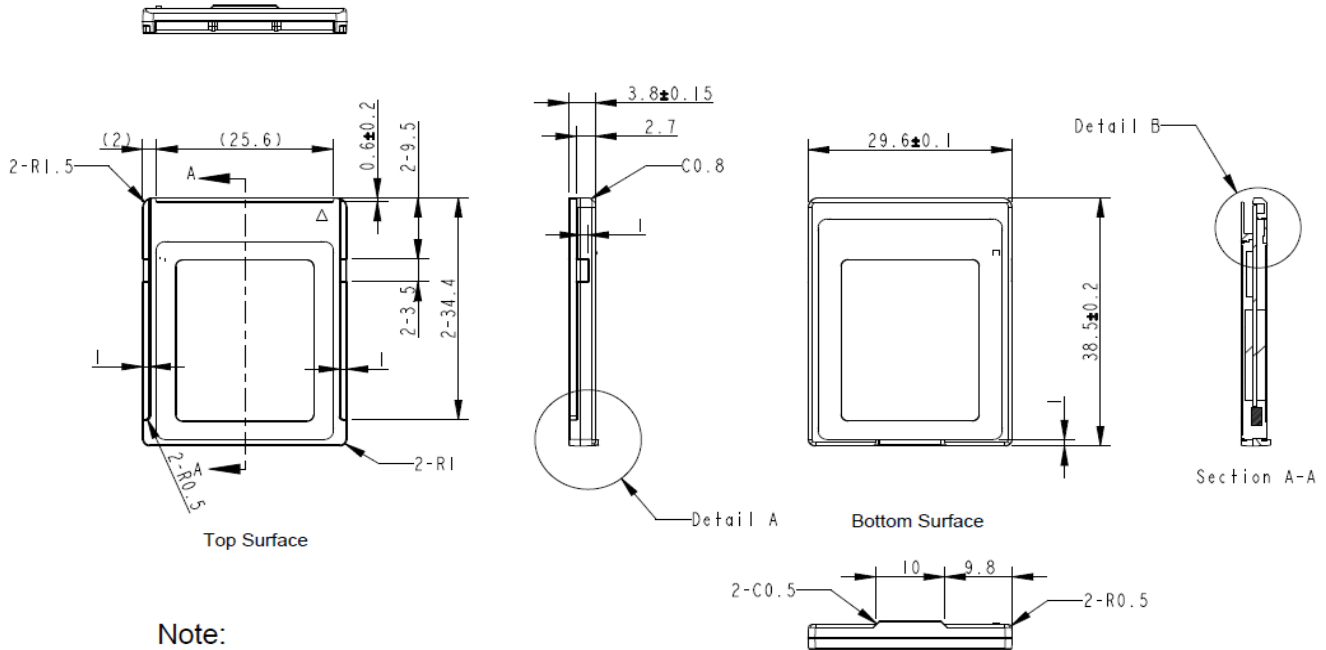
Feature

- Low-Density Parity-Check (LDPC) Code
- Global Wear Leveling
- Flash bad-block management
- Flash Translation Layer: 4K Page Mapping
- Power Failure Management
- S.M.A.R.T.
- TRIM Support
- Hyper Cache Technology
- Over-Provisioning
- SMART Read Refresh™
- NVMe Secure Erase
- Write Protect Switch (Optional)

Specifications

| | |
|--|--|
| Model | PV910-CFX |
| Interface | PCIe Gen3 x2 |
| Connector | 21-pin |
| Form Factor | CFexpress 2.0 Type B |
| NAND Flash Type | 3D TLC |
| Capacity | 60GB ~ 480GB |
| External DRAM | No |
| Sustained Read Performance (MB/sec) | Up to 1775 |
| Sustained Write Performance (MB/sec) | Up to 1255 |
| ECC Engine | Low-Density Parity-Check (LDPC) Code |
| IOPs (4K Random Write) | 131K |
| Standard Operating Temperature (°C) | 0 ~ + 70 |
| Extended Operating Temperature (°C) | -40 ~ + 85 |
| Storage Temperature (°C) | -40 ~ + 100 |
| Thermal Sensor | Yes |
| Shock | Operation: 50G/11ms (compliant with MIL-STD-202G) Non-operation: 1500G/0.5ms (compliant with MIL-STD-883K) |
| Vibration | Operation: 7.69 Grms, 20~2000 Hz/random (compliant with MIL-STD-810G) Non-operation: 4.02 Grms, 15 ~ 2000 Hz/sine (compliant with MIL-STD-810G) |
| Operating Voltage | 3.3 V ± 5% |
| Power Consumption | Active mode: 710 mA / Idle mode: 155 mA |
| Dimension (L x W x H) | 29.6 mm x 38.5 mm x 3.8 mm |
| MTBF (hours) | >3,000,000 |

Mechanical Specification



Note:
1. Tolerances: ±0.1

Unit: mm

For more information,
contact your Apacer representative

Global Presence

Taiwan (Headquarters)
Apacer Technology Inc.
Tel: +886-2-2267-8000
Fax: +886-2-2267-2261

Europe
Apacer Technology B.V.
Tel: +31-40-267-0000
Fax: +31-40-290-0686

U.S.A.
Apacer Memory America, Inc.
Tel: +1-408-518-8699
Fax: 1-510-249-9551

China
Apacer Electronic(Shanghai)
Co., Ltd.
Tel: +86-21-6228-9939

Japan
Apacer Technology Corp.
Tel: +81-3-5419-2668
Fax: +81-3-5419-0018

India
Apacer Technologies Pvt. Ltd.
Tel: +91-80-41529061~3
Fax: +91-80-41700215