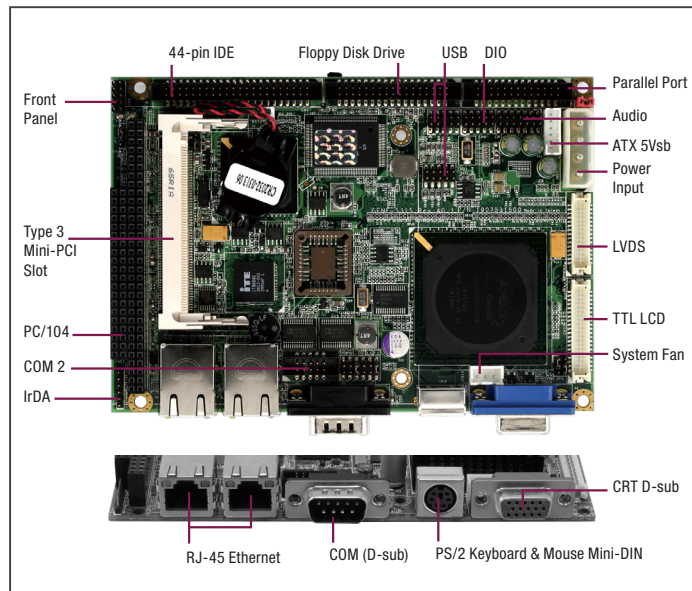


GENE-5315 Rev. A

3.5" SubCompact Board with AMD Geode™ LX Series Processor



Specifications

SYSTEM	
FORM FACTOR	3.5" SubCompact Board
CPU	AMD Geode™ LX800 Processor AMD Geode™ LX 800(500MHz)
CPU TDP	3.6W: LX 800
CHIPSET	CS5536
MEMORY TYPE	DDR333 SODIMM x 1 (DDR400 optional), up to 1GB
BIOS	Award 1MB
WAKE ON LAN	Yes
WATCHDOG TIMER	255 Levels
SECURITY	—
RTC Battery	Lithium Battery 3V/240mAh
DIMENSION (L X W)	5.75" x 4" (146mm x 101.7mm)
POWER	
POWER REQUIREMENT	+5V
POWER SUPPLY TYPE	AT/ATX
CONNECTOR	4Pin Connector
POWER CONSUMPTION	LX 800 500 MHz, DDR400 1 GB, 1.17A@+5V(Typical)
DISPLAY	
CONTROLLER	AMD Geode™
LVDS/eDP	Up to 24-bit Single Channel LVDS/ TTL LCD
Display Interface	VGA x1
Multiple Display	Up to 2 Simultaneous Displays
AUDIO	
CODEC	High Definition Audio Interface
AUDIO INTERFACE	Line-in/Line-out/MIC/CD-in
Speaker	—
EXTERNAL I/O	
ETHERNET	10/100Base-TX x 2, Realtek RTL 8139DL
USB	—
SERIAL PORT	COM1(RS-232)
VIDEO	VGA x1
INTERNAL I/O	
USB	USB2.0 x 4
SERIAL PORT	COM2(RS-232/422/485)
VIDEO	TTL LCD x1 LVDS LCD x1
SATA	—
AUDIO	Audio Header x 1
DIO/GPIO	8-bit
SMBus/I2C	—
Touch	—

Features

- Onboard AMD Geode™ LX800 Processor
- AMD Geode™ LX + CS5536
- DDR 333 MHz SODIMM, Up to 1 GB or DDR 400 MHz SODIMM, Up to 512 MB
- 10/100Base-TX Ethernet x 2, RJ-45 x 2
- Up to 24-bit Single Channel LVDS/ TTL LCD & CRT
- AC97 Codec 2CH Audio
- EIDE x 1, Floppy Disk Drive x 1, CompactFlash™ x 1
- COM x 2, Parallel x 1, USB2.0 x 4, 8-bit Digital I/O
- Mini-PCI And PC/104 Expansions
- +5V Only Operation



FAN	System Fan x1
SIM	—
Front Panel	HDD LED, PWR LED, Power Button, Buzzer, Reset
Others	SPP/EPP/ECP x 1, CompactFlash™ x1, UDMA33 x 1
EXPANSION	
Mini PCI-E/mSATA	—
M.2	—
Others	Mini-PCI x1, PC/104 x1, Floppy Disk Drive x 1
ENVIRONMENT & CERTIFICATION	
OPERATING TEMP	32°F ~ 140°F (0°C ~ 60°C)
STORAGE TEMP	-40°F ~ 176°F (-40°C ~ 80°C)
OPERATING HUMIDITY	0% ~ 90% relative humidity, non-condensing
MTBF (HOURS)	90,000
EMC	CE/FCC Class A

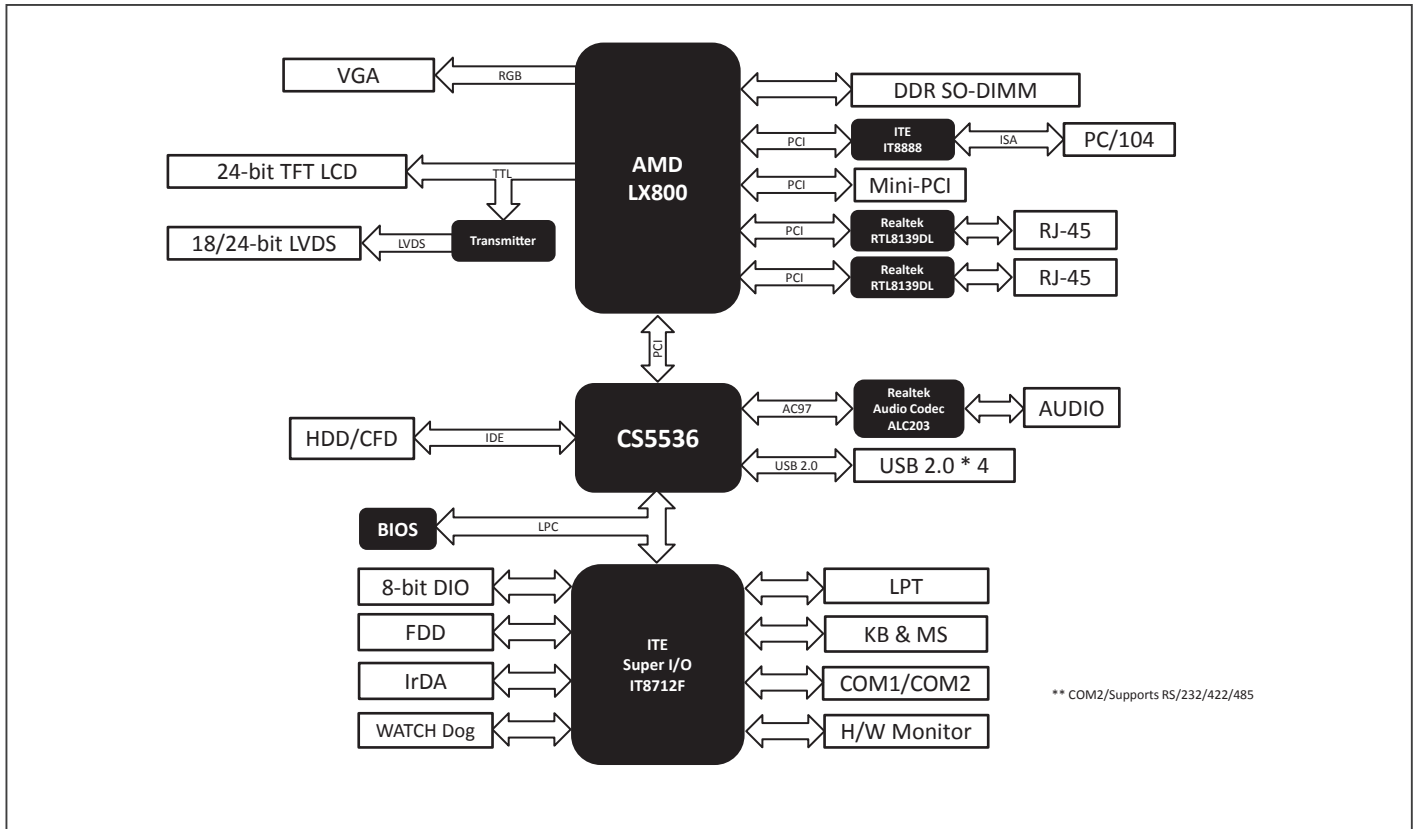
Packing List

- **9681531501**
Cable Kit for GENE-5315
 - 1700060192 Keyboard & Mouse Cable
 - 1709100201 USB Cable
 - 1701440500 IDE Cable
- **9657666600**
Jumper Cap
- **GENE-5315 Rev. A**

Optional Accessories

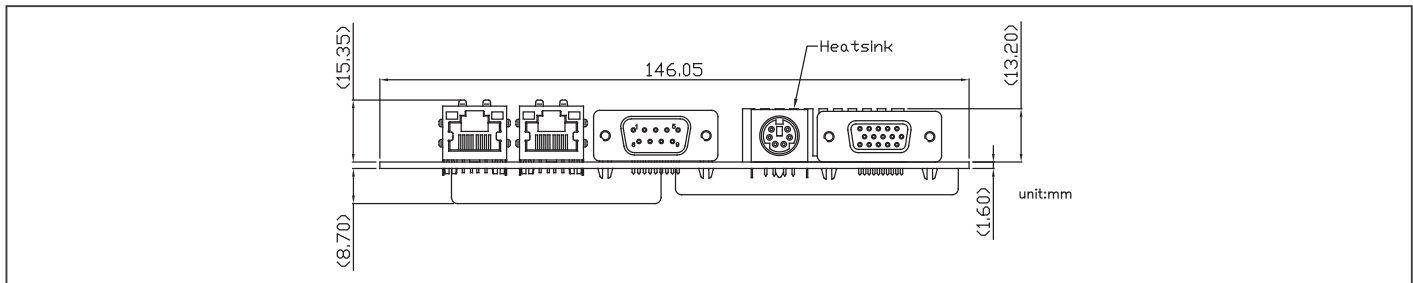
Part Number	Description	QTY
1702200205	Conversion Cable for ATX Power Supply, Length 20cm	1
1709140181	Audio Cable, Length 18cm	1
1709100208	USB Cable, Length 20cm	1
1701100206	COM Port Cable, 9P DB Male, Length 20cm	1
1701260201	Parallel Port Cable, Length 20 cm	1
1701340600	Floppy Cable, Length 60 cm	1

Block Diagram



Dimension

Unit: mm



Ordering Information

Part Number	CPU	Fan/ Fanless	Display	LVDS	Storage	LAN	USB	RS-232	RS-232/422/485	Expansion Slot	Power	Power Temp	Others
GENE-5315-A13	AMD Geode™ LX800	Fanless	CRT + LVDS CRT + TTL	24b, 1CH	EIDE x 1 Floppy x 1 CompactFlash™ x 1	FE x 2	UBS2.0 x 4	1	1	Mini-PCI x 1 PC/104 x 1	+5V, AT/ATX	0°C ~ 60°C	DIO x 8
GENE-5315-A13-01	AMD Geode™ LX800	Fanless	CRT + LVDS CRT + TTL	18b, 1CH	EIDE x 1 Floppy x 1 CompactFlash™ x 1	FE x 2	UBS2.0 x 4	1	1	Mini-PCI x 1 PC/104 x 1	+5V, AT/ATX	0°C ~ 60°C	DIO x 8