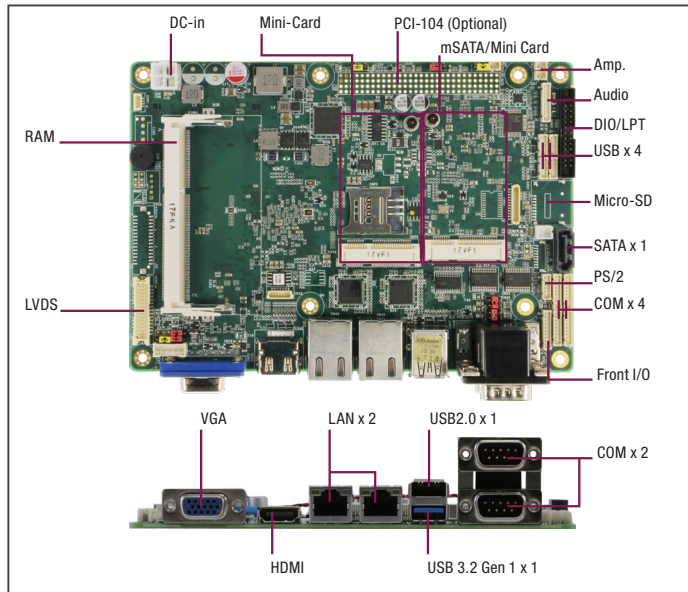


EPIC-BT07

EPIC Board with Intel® Atom™/ Celeron® Processor SoC



Features

- Onboard Intel® Atom™ E3845/ Celeron® J1900, N2807 Processor
- DDR3L 1333MHz SODIMM x 1, Up to 8GB
- Dual Display Configuration: VGA+ LVDS, VGA + HDMI or HDMI + LVDS
- SATA 3.0Gb/s x 1, mSATA/ Mini-Card x 1, Micro-SD Slot x 1 (E3800 Series Only)
- USB 3.2 Gen 1 x 1, USB2.0 x 5, RS-232 x 4, RS-232/422/485 x 2 (COM2, COM3)
- Mini-Card x 1, SIM x 1, PCI-104 (Optional)
- 16-bit Digital IO/LPT, SMBus x 1, I2C (Optional)
- Audio 2CH, 2W Audio Amp., TPM (Optional), Touch Controller (Optional)
- 9 ~ 24VDC Wide Range or 12VDC Power Input
- SoC Processor on Solder Side Design

Specifications

System	
Form Factor	4" EPIC Board
CPU	Intel® Atom™ E3845/Celeron® J1900/N2807
CPU Frequency	Up to 2.0 GHz
Chipset	Intel® Atom™/ Celeron® SoC
Memory Type	DDR3L 1333, SODIMM x 1
Max. Memory Capacity	Up to 8GB
BIOS	AMI
Wake on LAN	Yes
Watchdog Timer	255 Levels
Power Requirement	4 Pin Connector (Default) 2 Pin Phoenix Connector (Option)
Power Supply Type	AT/ ATX
Power Consumption (Typical)	12W
Dimension (L x W)	4.53" x 6.50" (115mm x 165mm)
Operating Temperature	32°F ~ 140°F (0°C ~ 60°C) or WITAS 2 (E3845 sku, -40°C ~ 85°C)
Storage Temperature	-40°F ~ 185°F (-40°C ~ 85°C)
Operating Humidity	0% ~ 90% relative humidity, non-condensing
MTBF (Hours)	358,806 hrs
Certification	CE/FCC
Display	
VGA/LCD Controller	Intel® Atom™/ Celeron® SoC
Video Output	CRT, LVDS, HDMI
Backlight Inverter Supply	Max. 12V
I/O	
Ethernet	Intel® i211 Gigabit Ethernet, RJ-45 x 2
Audio	High Definition Audio Interface
USB Port	USB 2.0 x 5 USB 3.2 Gen 1 x 1
Serial Port	COM1, 4, 5, 6 : RS-232 x 4 COM2, 3 : RS-232/422/485 x 1 (Ring/ +5V/ +12V)
Parallel Port	SPP/EPP/ECP x 1
HDD Interface	SATA 2.0 x 1
SSD	mSATA x 1 (Share with full-size Mini-Card by BOM)
Expansion Slot	Full-size mPCIe x 1 Full size mSATA/mPCIe x 1 (Default mSATA, select by BOM Change) Micro-SD x 1 (Optional, only E3800 series) PCI-104 x 1 (Optional, only E3800 series) 16-bit DIO or LPT SMBus x 1, I2C x 1 (optional), PS/2 x 1
DIO	16-bit
TPM	Optional
Touch	Optional
SIM	SIM

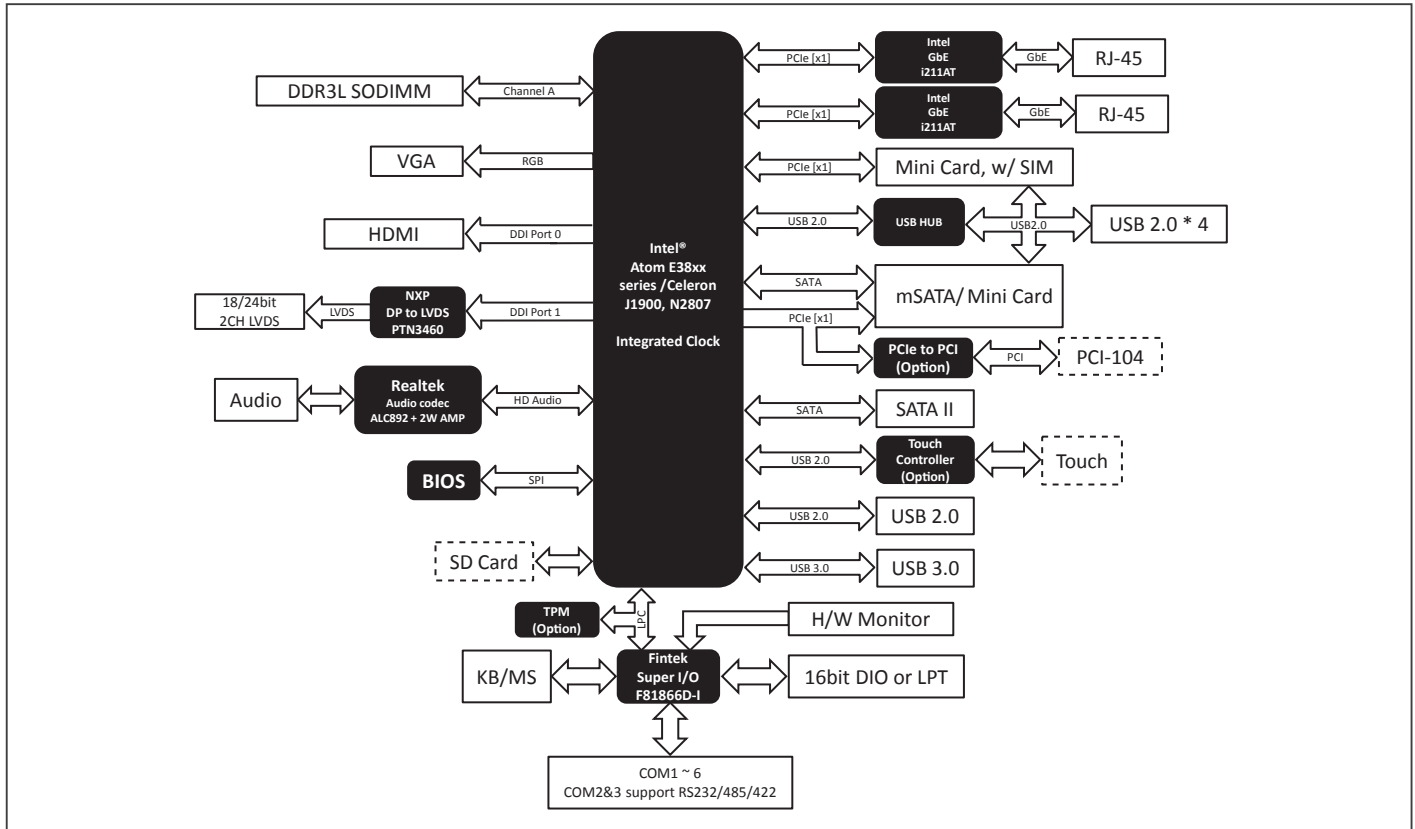
Packing List

- 1709070500
SATA Cable
- 1702150155
SATA Power Cable
- M10BT07010
Heat-Spreader
- EPIC-BT07

Optional Accessories

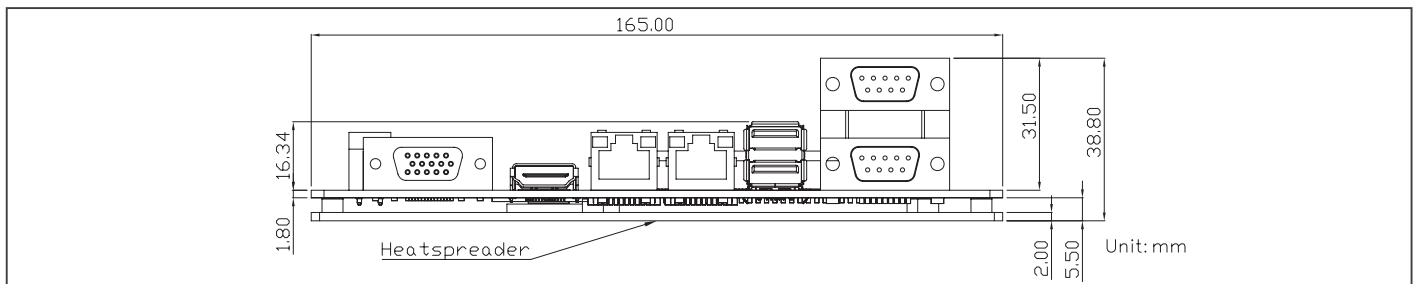
Part Number	Description	QTY
170204010R	2-Pin Power in to 4-Pin Housing Cable	1
1709100254	Audio Cable	1
1701260200	DIO/LPT Cable	1
1700050207	USB Cable	4
1700060155	PS/2 KB/Mouse Cable	1
1701090150	COM Cable	4
EPIC-BT07-HSK01	Metal, Al, Heat Sink, 165*95*14mm, Silver, EPIC-BT07 (Used with heatspreader)	1

Block Diagram



Dimension

Unit: mm



Ordering Information

PART NUMBER	CPU	Memory	Thermal	Display	LVDS	Storage	LAN	USB	RS-232	RS-232/422/485	Expansion slot	Power	Power temp	Others
EPIC-BT07-A13-0001	Atom™ E3845 (10W)	DDR3L (Max. 8GB)	Heat-Spreader (Heat-sink option)	VGA+LVDS/ VGA+HDMI/ LVDS+HDMI	18/24bits, 2CH	SATAII x1 mSATA x 1	GbE x2	USB3.2 Gen1 x1 USB2.0 x5	4	2	Mini-Card x 1 SIM x 1 PCI-104 x 1 Micro-SD x 1	DC 9-24V 4 Pin Connector	0~60°C	16bit DIO or LPT, Audio 2CH (2W Amp), PS/2, SMBus, I2C (Optional), TPM (Optional), Touch Controller (Optional), PCI104
EPIC-BT07-A13-0002	Celeron® J1900 (10W)	DDR3L (Max. 8GB)	Heat-Spreader (Heat-sink option)	VGA+LVDS/ VGA+HDMI/ LVDS+HDMI	18/24bits, 2CH	SATAII x1 mSATA x 1	GbE x2	USB3.2 Gen1 x1 USB2.0 x5	4	2	Mini-Card x 1 SIM x 1	DC 9-24V 4 Pin Connector	0~60°C	16bit DIO or LPT, Audio 2CH (2W Amp), PS/2 SMBus, I2C (Optional), TPM (Optional), Touch Controller (Optional)
EPIC-BT07-A13-0003	Celeron® N2807 (4.3W)	DDR3L (Max. 8GB)	Heat-Spreader (Heat-sink option)	VGA+LVDS/ VGA+HDMI/ LVDS+HDMI	18/24bits, 2CH	SATAII x1 mSATA x 1	GbE x2	USB3.2 Gen1 x1 USB2.0 x5	4	2	Mini-Card x 1 SIM x 1	DC 9-24V 4 Pin Connector	0~60°C	16bit DIO or LPT, Audio 2CH (2W Amp), PS/2 SMBus, I2C (Optional), TPM (Optional), Touch Controller (Optional)
EPIC-BT07W2-A13-0002	Atom™ E3845(10W)	DDR3L (Max. 8GB)	Heat-Spreader (Heat-sink option)	VGA+LVDS/ VGA+HDMI/ LVDS+HDMI	18/24bits, 2CH	SATAII x1 mSATA x 1	GbE x2	USB3.2 Gen1 x1 USB2.0 x5	4	2	Mini-Card x 1 SIM x 1 PCI-104 x 1 Micro-SD x 1	DC 9-24V 4 Pin Connector	-40~85°C	16bit DIO or LPT, Audio 2CH (2W Amp), PS/2, SMBus, I2C (Optional), TPM (Optional), Touch Controller (Optional), PCI104
EPIC-BT07-A13-0005	Atom™ E3845 (10W)	DDR3L (Max. 8GB)	Heat-Spreader (Heat-sink option)	VGA+LVDS/ VGA+HDMI/ LVDS+HDMI	18/24bits, 2CH	SATAII x1 mSATA x 1	GbE x2	USB3.2 Gen1 x1 USB2.0 x5	4	2	Mini-Card x 1 SIM x 1 PCI-104 x 1 Micro-SD x 1	DC 9-24V 2 Pin Connector	0~60°C	16bit DIO or LPT, Audio 2CH (2W Amp), PS/2 SMBus, I2C (Optional), TPM (Optional), Touch Controller (Optional), PCI104
EPIC-BT07-A13-0006	Celeron® J1900 (10W)	DDR3L (Max. 8GB)	Heat-Spreader (Heat-sink option)	VGA+LVDS/ VGA+HDMI/ LVDS+HDMI	18/24bits, 2CH	SATAII x1 mSATA x 1	GbE x2	USB3.2 Gen1 x1 USB2.0 x5	4	2	Mini-Card x 1 SIM x 1	DC 9-24V 2 Pin Connector	0~60°C	16bit DIO or LPT, Audio 2CH (2W Amp), PS/2 SMBus, I2C (Optional), TPM (Optional), Touch Controller (Optional)
EPIC-BT07-A13-0007	Celeron® N2807 (4.3W)	DDR3L (Max. 8GB)	Heat-Spreader (Heat-sink option)	VGA+LVDS/ VGA+HDMI/ LVDS+HDMI	18/24bits, 2CH	SATAII x1 mSATA x 1	GbE x2	USB3.2 Gen1 x1 USB2.0 x5	4	2	Mini-Card x 1 SIM x 1	DC 9-24V 2 Pin Connector	0~60°C	16bit DIO or LPT, Audio 2CH (2W Amp), PS/2 SMBus, I2C (Optional), TPM (Optional), Touch Controller (Optional)