

Features

- 19" Food Industrial Panel PC
- 6th/7th Gen. Intel Core i3/i5/i7 Processors
- DDR4 SO-DIMM Socket
- Flat and stainless steel front panel design
- Fanless design
- Wide range DC 9~36V power input

Specifications

System	
CPU	6th/7th Gen. Intel Core i3/i5/i7 Processors
System Chipset	SoC
Memory	1 x 260 pin SO-DIMM DDR4 up to 16GB 2133MHz

IO Port	
USB	2 x USB 3.0 type A
Serial / Parallel	1 x RS-232/422/485 DB-9, default RS-232(COM1) 1 x RS-232 DB-9(COM2)
LAN	2 x GbE LAN RJ-45
Audio	1 x Line Out
Power	1 x 3-pin DC Power input terminal 1 x 2-pin connector for power on/off button

Option	
	VESA Stand
	4G LTE/Wi-Fi/BT
	4 x USB 2.0 (TB-528U4)
	4 x USB 2.0 + 1 x Mini PCIe + 1 SIM slot (TB-528U4ME1)
	1 x COM + 2 x USB 2.0 (TB-528C1U2)
	1 x COM + 2 x USB 2.0 + 1 x Mini PCIe + 1 x Power Button (TB-528C1U2P1)
	2 x COM(RS-232) (TB-528C2)
	2 x COM(RS-232) + 1 x Mini PCIe slot + 1 x SIM slot (TB-528C2ME1)
	2 x COM(RS-232/485, isolated) (TB-528C2I)
	2 x CAN (TB-528CAN2)
	1 x LAN + 2 x USB 2.0 (TB-528E1U2)
	UPS Battery 21W/10.8W/1.95Ah(3S1P)

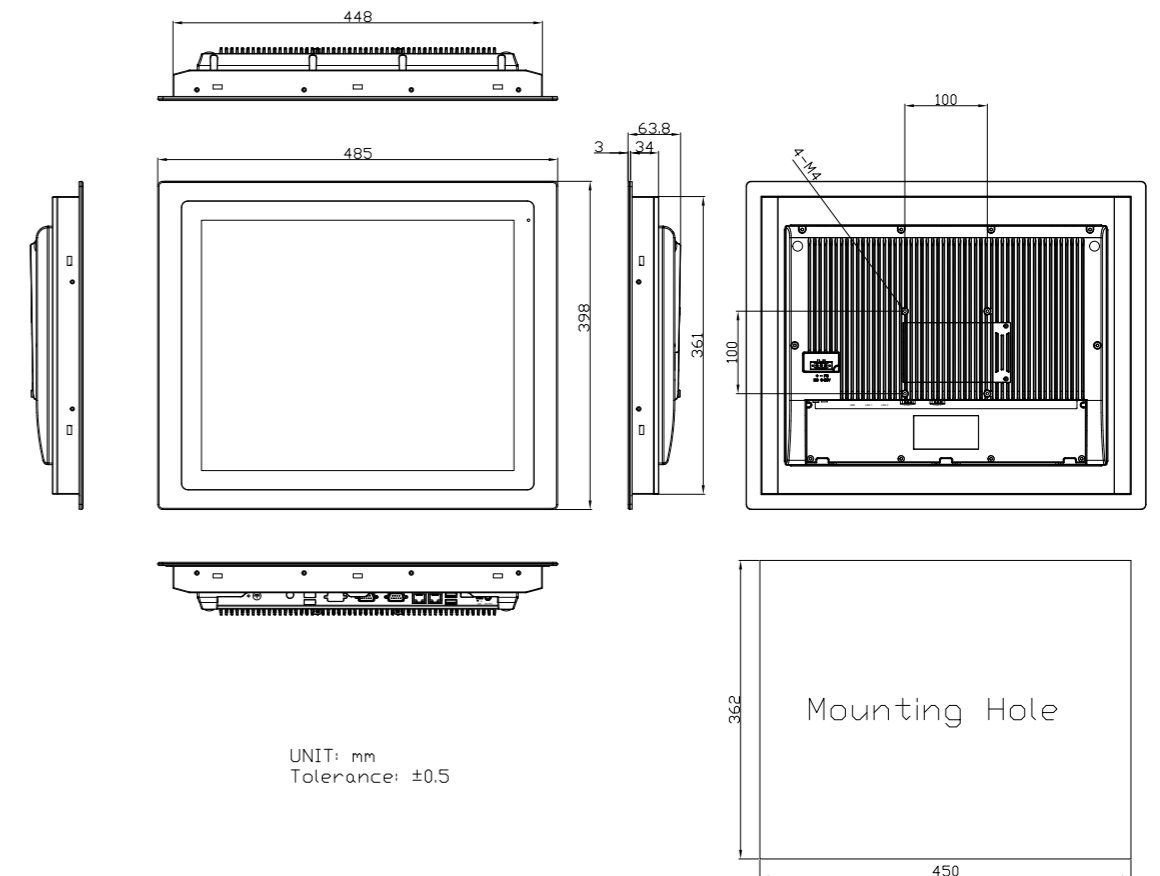
Storage Space	
HDD/SSD	1 x 2.5" SATA HDD space (Easily Accessible)

Expansion	
Expansion Slot	1 x Internal Mini-PCIe slot full size

Display	Standard	High Brightness Optional
Display Type	19" TFT-LCD	19" TFT-LCD
Max. Resolution	1280 x 1024	1280 x 1024
Max. Color	16.7M	16.7M
Luminance (cd/m ²)	350	1000
View Angle	170(H) /160(V)	170(H) /160(V)
Contrast	1000:1	1000:1
Backlight Lifetime	50,000 hrs	50,000 hrs

Touch Screen	
Type	Projected Capacitive Touch (for AP model) Resistive Touch (for AR model) Glass (for AG model)
Interface	USB
Light Transmission(%)	Resistive Touch: 80% Projected Capacitive: 90%

Dimensions



Power	
Power Input	DC 9~36V
Power Consumption	FABS-919AP: 54W (MAX)

Mechanical	
Construction	304 Stainless steel front bezel (Default) 316 Stainless steel front bezel (Optional) Aluminum die-casting back cover
Mounting	Panel mount, VESA mount 100 x 100
IP Rating	IP66/IP69K compliant front bezel
Dimensions	485 x 398 x 63.8 mm
Net Weight	7.2 kg

Environmental	
Operating Temperature	0~50°C
Storage Temperature	-30~70°C
Humidity	10 to 95% @ 40°C, non-condensing
Certificate	AR/AP/AG/ARH/APH/AGH Model: CE/FCC Class A AP/AG Model is compliance with EN 1672-2 (option)

Operating System Support	
Windows 10 IoT	

Ordering Information	
FABS-919AR/P (Barebone)	19" SXGA fanless HMI barebone with Intel 6th Corei3-6100U CPU, DDR4 SO-DIMM Socket, Resistive / Projected Capacitive touch, 9~36V DC input with adapter, Stainless front bezel and Aluminum chassis.
FABS-919AG (Barebone)	19" SXGA fanless HMI barebone with Intel 6th Corei3-6100U CPU, DDR4 SO-DIMM Socket, Glass, 9~36V DC input with adapter, Stainless front bezel and Aluminum chassis.

