

Features

- 7" Food Industrial Panel PC
- Intel Celeron N2930 Processor
- Onboard 4GB DDR3L 1333 MHz
- Flat and stainless steel front panel design
- Fanless design
- Wide range DC 9~36V power input

Specifications

System	
CPU	Onboard Intel Celeron N2930 Processor (2M Cache, 1.83GHz)
System Chipset	SoC
Memory	Onboard 4GB DDR3L SDRAM

IO Port	
USB	2 x USB 3.0 type A
Serial / Parallel	1 x RS-232/422/485 DB-9, default RS-232(COM1) 1 x RS-232 DB-9(COM2)
LAN	2 x GbE LAN RJ-45
Audio	1 x Line Out
Power	1 x 3-pin DC Power input terminal 1 x 2-pin connector for power on/off button
Option	VESA Stand 4G LTE/Wi-Fi/BT

Storage Space	
HDD/SSD	1 x MO-297 SATA SSD bay (Easy Accessible)
Others	1 x Internal Micro SD / Micro SIM slot

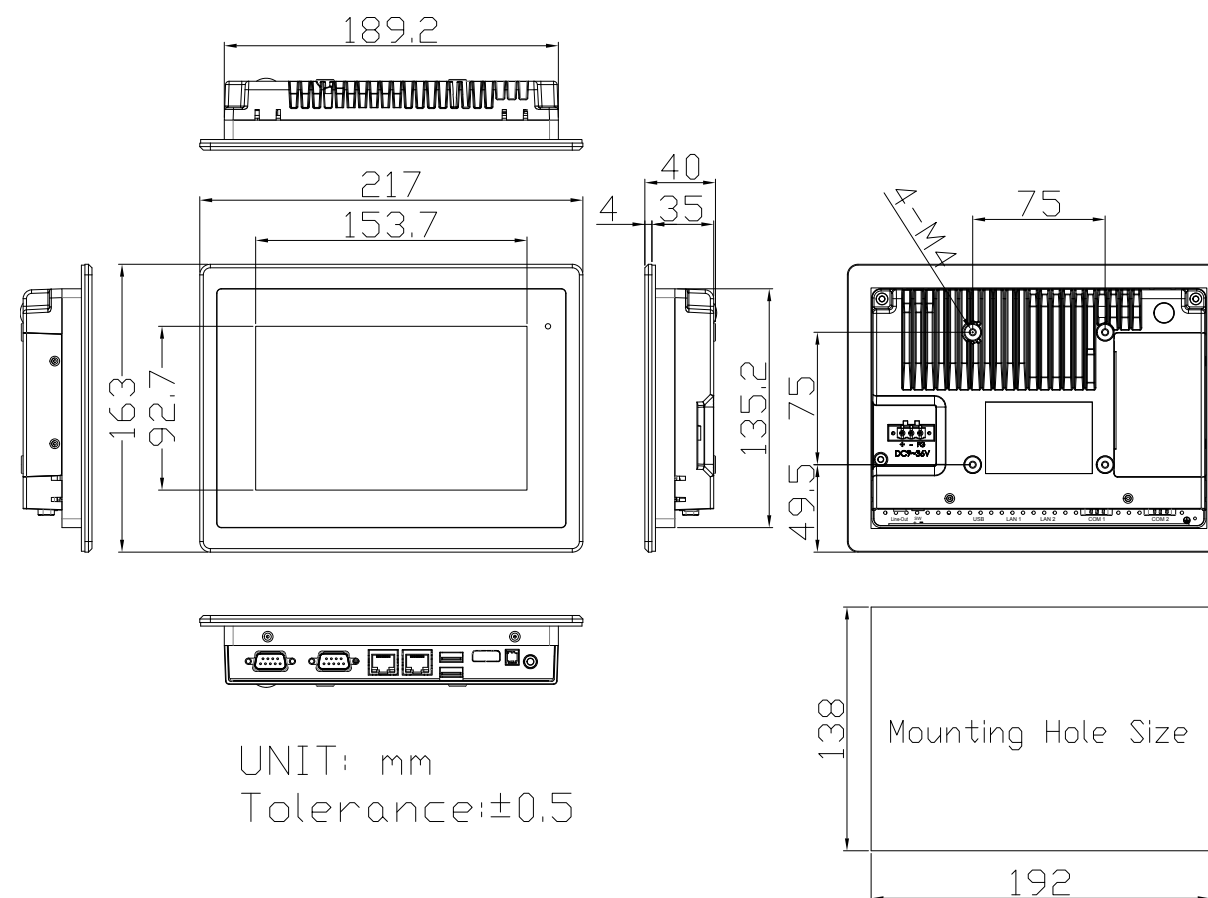
Expansion	
Expansion Slot	1 x Internal Mini-PCIe slot full size

Display	Standard	High Brightness Optional
Display Type	7" TFT-LCD	7" TFT-LCD
Max. Resolution	800 x 480	800 x 480
Max. Color	262K	262K
Luminance (cd/m ²)	350	1000
View Angle	140(H) /120(V)	140(H) /130(V)
Contrast	400:1	400:1
Backlight Lifetime	50,000 hrs	50,000 hrs

Touch Screen	
Type	Projected Capacitive Touch (for P model) Resistive Touch (for R model) Glass (for G model)
Interface	USB
Light Transmission(%)	Resistive Touch: over 80% Projected Capacitive Touch: over 90%

Power	
Power Input	DC 9~36V
Power Consumption	FABS-807P: 28W (MAX)

Dimensions



Mechanical	
Construction	304 Stainless steel front bezel (Default) 316 Stainless steel front bezel (Optional) Aluminum die-casting back cover
Mounting	Panel mount, VESA mount 75 x 75
IP Rating	IP66/IP69K compliant front bezel
Dimensions	217 x 163 x 40 mm
Net Weight	1.1 kg

Environmental	
Operating Temperature	0~50°C / -20~60°C (option)
Storage Temperature	-30~70°C
Humidity	10 to 95% @ 40°C, non- condensing
Certificate	R/P/G/RH/PH/GH Model: CE/FCC Class A P/G Model: EN 1672-2 (option)

Operating System Support	
Windows 10 IoT	

Ordering Information	
FABS-807P (Barebone)	7" WVGA fanless HMI barebone with Celeron N2930(1.83.GHz) CPU, 4GB DDR3L RAM, Projected Capacitive touch, 9~36VDC input with adapter, Stainless front bezel and Aluminum chassis.
FABS-807G (Barebone)	7" WVGA fanless HMI barebone with Celeron N2930 (1.83.GHz) CPU, 4GB DDR3L RAM, Protection Glass, 9~36V DC input with adapter, Stainless front bezel and Aluminum chassis.

