

**SYSPEND 180-MAX SUSPENSION SYSTEM, TYPE 12**

**INDUSTRY STANDARDS**

Maintains NEMA Type 12 and IEC IP55 enclosure rating when properly installed per Hoffman instructions.

**APPLICATION**

The SYSPEND 180-MAX is a modular enclosure suspension system designed for modern industrial aesthetics, excellent ergonomics and multiple component combinations. The easy-to-install components can be configured in a variety of ways to get the right combination for any application. At 3.3 ft. (1 m) the system supports up to 180 lb. (81.6 kg). Recommended for use with CC2000, CC4000, and CONCEPT HMI enclosures.

**FEATURES**

- System supports up to 180 lb. (82 kg) and allows operators to easily move controls in and out of position
- Multiple modular components available to provide ergonomic, fatigue-free operation
- Clean lines and smooth transitions between tubes and system components provide attractive aesthetics and allow for ease of cleaning
- Tubing provides structural integrity and acts as equipment wiring conduit
- Secure attachment with sixfold positive connection between tubes and components along with recessed mounting areas in components; no additional safety drilling required

- Secure connections and easy adjustment of system alignment using tube setscrews coated with thread sealer
- System design allows for user friendly readjustment and leveling without disassembling the complete system or additional kits
- Multiple tube lengths offer system design versatility
- Heavy-duty bearings in all movable joints for convenient, smooth operation and enhanced durability to withstand stresses of repeated use
- Variable torque adjustment available for all rotating components; general adjustment at bearing with locking handle adjustment on enclosure couplings
- Panel couplings allow for connection at the rear of displays or monitors with VESA mounting
- System can be combined with the SYSPEND 281-MAX using the Reduction Elbow to achieve a higher load rating

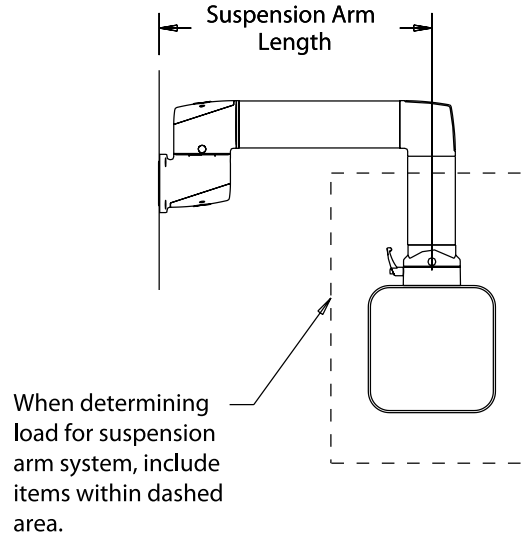
**SPECIFICATIONS**

- Anodized aluminum tubes
- Choice of RAL 9005 black or RAL 7035 light-gray die-cast aluminum components
- RAL 9006 white aluminum cable access caps
- Oil-resistant neoprene gaskets

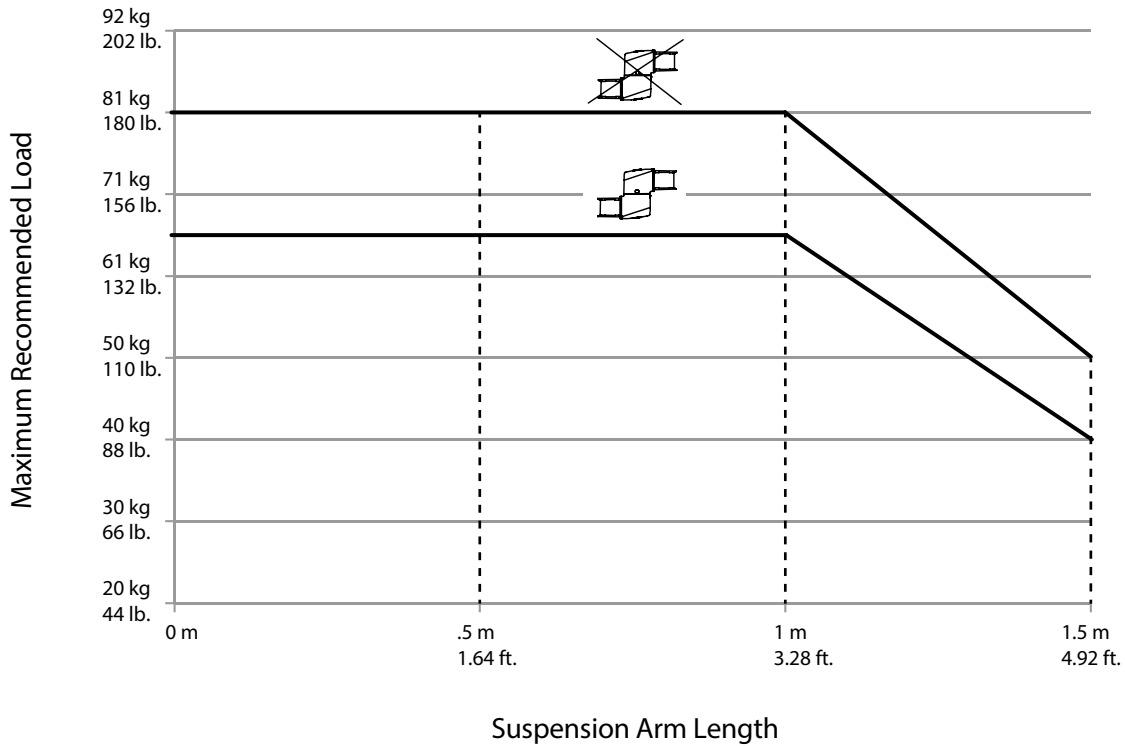
**SYSTEM LOAD CAPACITY**

The SYSPEND 180-MAX load graph is the result of load capacity tests. Please contact Hoffman for specific application information.

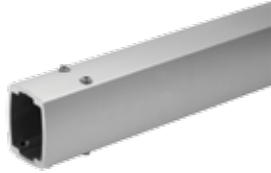
Load Diagram



Load Diagram for Static Load Capacity



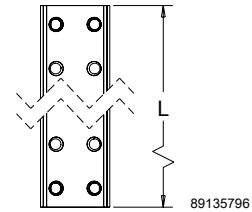
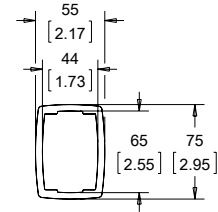
89135670



Aluminum tubes provide structural integrity and act as conduit for equipment wiring. Tubes attach to system components with 6 setscrews on each end of the tube. Setscrews are provided with system couplings, not the tubes. Setscrews allow for easy adjustment and leveling of the system. Setscrews are provided with thread sealer providing secure connections. Available in 6 standard lengths ranging from 250 mm (9.84) to 1500 mm (59.05). Tubes 750 mm (29.53) and longer include drilling template to assist with drilling and tapping the holes when tube is cut to length.

BULLETIN: CS5

| Catalog Number | Color    | L<br>mm/in.   | Weight (lb.) | Weight (kg) |
|----------------|----------|---------------|--------------|-------------|
| S1MT250        | Anodized | 250<br>9.84   | 1.75         | .79         |
| S1MT500        | Anodized | 500<br>19.68  | 3.50         | 1.59        |
| S1MT750        | Anodized | 750<br>29.53  | 5.25         | 2.38        |
| S1MT1000       | Anodized | 1000<br>39.37 | 7.00         | 3.18        |
| S1MT1250       | Anodized | 1250<br>49.21 | 8.75         | 3.97        |
| S1MT1500       | Anodized | 1500<br>59.05 | 10.50        | 4.76        |



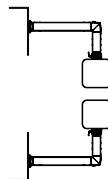
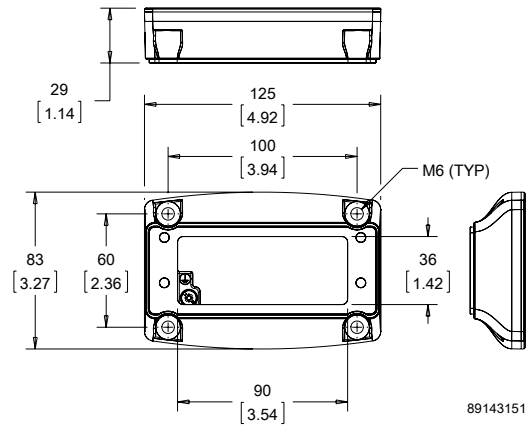
**NARROW ADAPTER**



The Narrow Adapter can be attached to the Flange Coupling and Flange Elbow Coupling to create a narrower connection to an enclosure. Specifically designed for use with the SYSPEND ALUMINUM HMI Enclosures that have 66mm of usable space. Does not inhibit coupling functionality. Die-cast aluminum construction. Choice of RAL 9005 black or RAL 7035 light gray finish. Includes installation instructions, gaskets, and mounting hardware.

BULLETIN: CS5

| Catalog Number | Color                | Weight (lb.) | Weight (kg) |
|----------------|----------------------|--------------|-------------|
| S1MA           | RAL 9005, Black      | 0.5          | 0.25        |
| S1MAG          | RAL 7035, Light Gray | 0.5          | 0.25        |

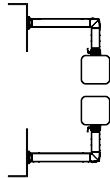


### FLANGE COUPLING

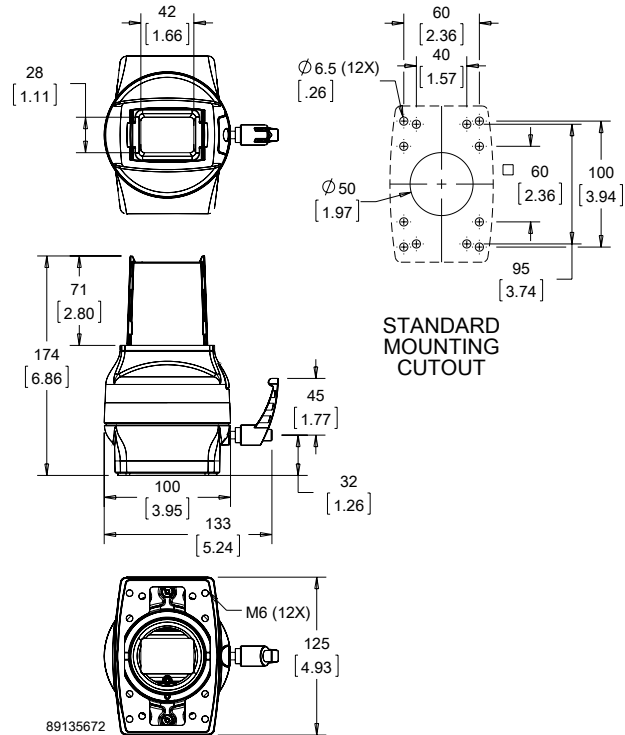


The flange coupling attaches a tube to the enclosure, enabling 300-degree enclosure rotation and can be locked into a given position. The flange coupling has a safety stop and maintenance-free bearings. Die-cast aluminum construction. Choice of RAL 9005 black or RAL 7035 light gray finish. Includes installation instructions, gaskets, tube setscrews and enclosure mounting hardware.

**BULLETIN: CS5**



| Catalog Number | Color                | Weight (lb.) | Weight (kg) |
|----------------|----------------------|--------------|-------------|
| S1MFCC         | RAL 9005, Black      | 3.50         | 1.59        |
| S1MFCCG        | RAL 7035, Light Gray | 3.50         | 1.59        |

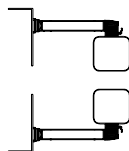


### FLANGE ELBOW COUPLING

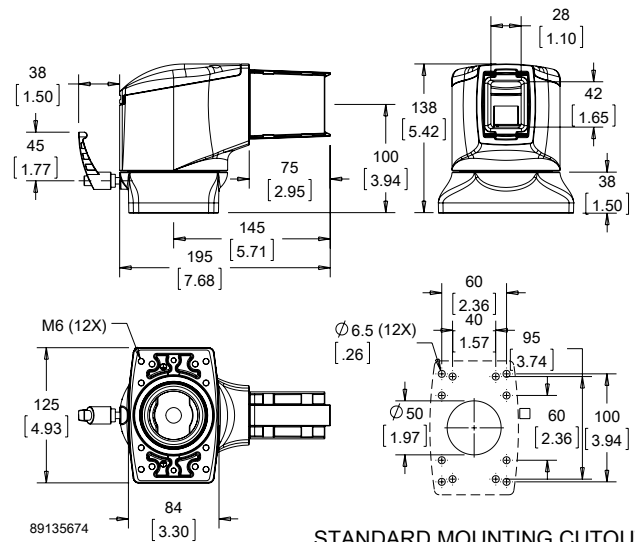


The flange elbow coupling attaches directly to the enclosure for applications where a vertical tube is not required. It enables the enclosure to rotate 300 degrees and can be locked into a given position. The flange elbow coupling has a safety stop and maintenance-free bearings. Die-cast aluminum construction. Choice of RAL 9005 black or RAL 7035 light gray finish. Includes installation instructions, gaskets, tube setscrews and enclosure mounting hardware.

**BULLETIN: CS5**



| Catalog Number | Color                | Weight (lb.) | Weight (kg) |
|----------------|----------------------|--------------|-------------|
| S1MFEC         | RAL 9005, Black      | 4.50         | 2.04        |
| S1MFECG        | RAL 7035, Light Gray | 4.50         | 2.04        |



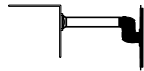
STANDARD MOUNTING CUTOUT

### HORIZONTAL PANEL COUPLING

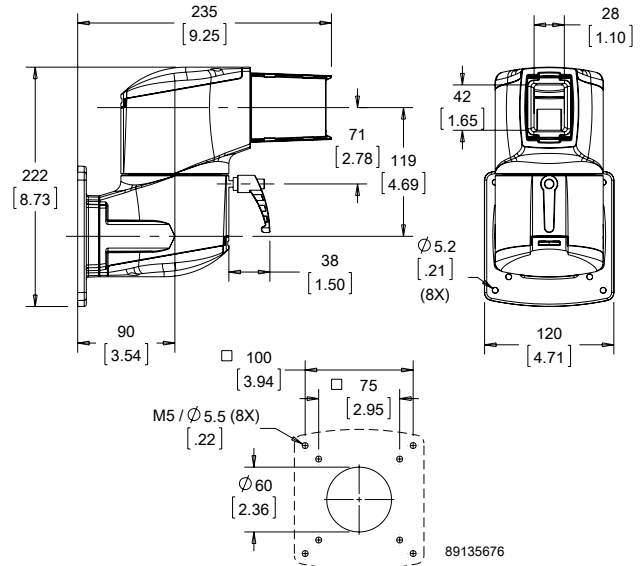


The horizontal panel coupling mounts a horizontal tube to the back of an enclosure or screen using Video Electronics Standards Association (VESA) mounting. The coupling has mounting holes drilled for standard VESA 75 and 100 flange sizes. It enables the enclosure to rotate 300 degrees and can be locked into a given position. The horizontal panel coupling has a safety stop and maintenance-free bearings. Die-cast aluminum construction. Choice of RAL 9005 black or RAL 7035 light gray finish. Includes installation instructions, gaskets, tube setscrews and enclosure mounting hardware.

**BULLETIN: CS5**



| Catalog Number | Color                | Weight (lb.) | Weight (kg) |
|----------------|----------------------|--------------|-------------|
| S1MPCH         | RAL 9005, Black      | 6.50         | 2.95        |
| S1MPCHG        | RAL 7035, Light Gray | 6.50         | 2.95        |



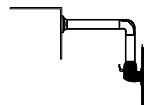
STANDARD MOUNTING CUTOUT

### VERTICAL PANEL COUPLING

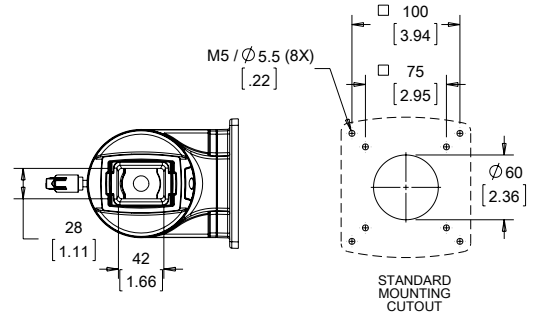


The vertical panel coupling mounts a vertical tube to the back of an enclosure or screen using Video Electronics Standards Association (VESA) mounting. The coupling has mounting holes drilled for standard VESA 75 and 100 flange sizes. It enables the enclosure to rotate 300 degrees and can be locked into a given position. The vertical panel coupling has a safety stop and maintenance-free bearings. Die-cast aluminum construction. Choice of RAL 9005 black or RAL 7035 light gray finish. Includes installation instructions, gaskets, tube setscrews and enclosure mounting hardware.

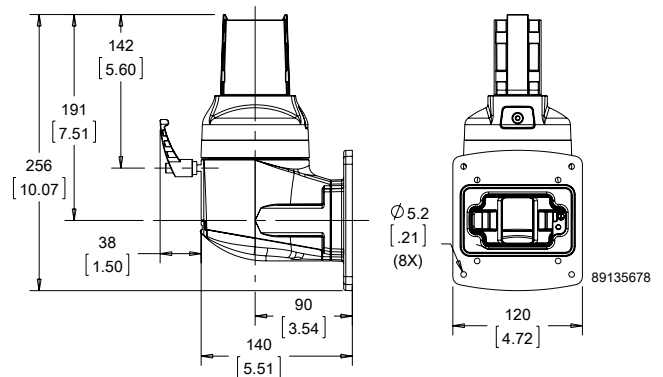
**BULLETIN: CS5**



| Catalog Number | Color                | Weight (lb.) | Weight (kg) |
|----------------|----------------------|--------------|-------------|
| S1MPCV         | RAL 9005, Black      | 5.50         | 2.49        |
| S1MPCVG        | RAL 7035, Light Gray | 5.50         | 2.49        |



STANDARD MOUNTING CUTOUT



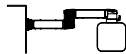
### INTERMEDIATE JOINT



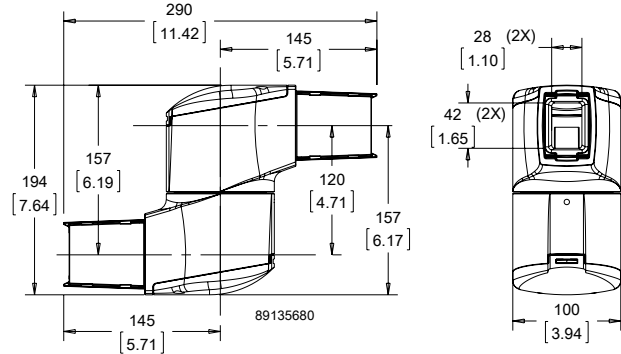
Use an intermediate joint to join two horizontal tubes together for a longer length. The arm can be rotated 300 degrees. Includes safety stop and maintenance-free bearings. Die-cast aluminum construction. Choice of RAL 9005 black or RAL 7035 light gray finish. Includes installation instructions, gaskets, and tube setscrews.

*Use of the intermediate joint reduces the system load rating capacity to 146 lb. (66 kg) at 3.3 ft. (1 m).*

**BULLETIN: CS5**



| Catalog Number | Color                | Weight (lb.) | Weight (kg) |
|----------------|----------------------|--------------|-------------|
| S1MIJ          | RAL 9005, Black      | 6.00         | 2.72        |
| S1MIJG         | RAL 7035, Light Gray | 6.00         | 2.72        |

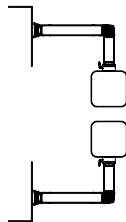


### ELBOW

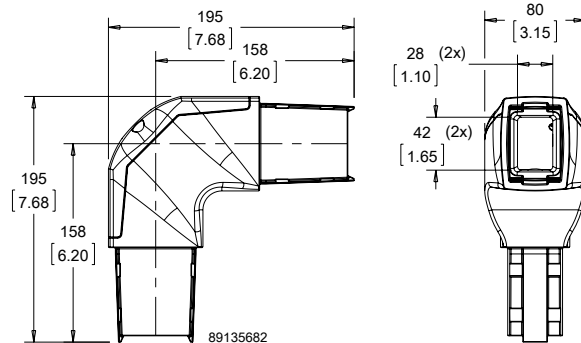


The elbow provides a 90-degree bend in the suspension system. Die-cast aluminum construction. Choice of RAL 9005 black or RAL 7035 light gray finish. Includes installation instructions, gaskets, and tube setscrews.

**BULLETIN: CS5**



| Catalog Number | Color                | Weight (lb.) | Weight (kg) |
|----------------|----------------------|--------------|-------------|
| S1ME           | RAL 9005, Black      | 2.75         | 1.25        |
| S1MEG          | RAL 7035, Light Gray | 2.75         | 1.25        |

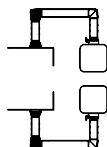


### ROTATABLE ELBOW

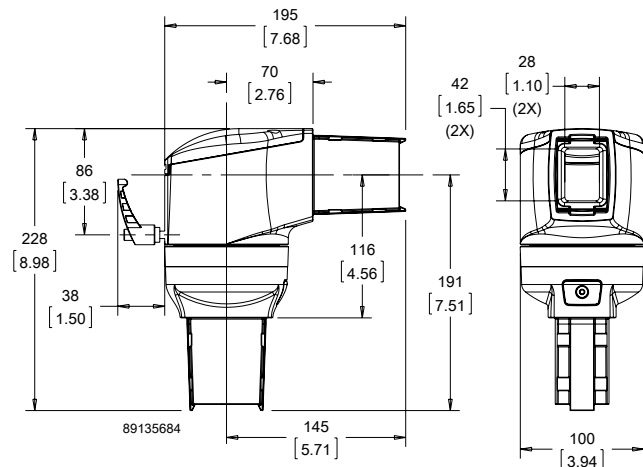


The rotatable elbow provides a 90-degree bend in the suspension system and allows the vertical tube to rotate 300 degrees. Includes safety stop and maintenance-free bearings. Die-cast aluminum construction. Choice of RAL 9005 black or RAL 7035 light gray finish. Includes installation instructions, gaskets, and tube setscrews.

**BULLETIN: CS5**



| Catalog Number | Color                | Weight (lb.) | Weight (kg) |
|----------------|----------------------|--------------|-------------|
| S1MER          | RAL 9005, Black      | 5.00         | 2.27        |
| S1MERG         | RAL 7035, Light Gray | 5.00         | 2.27        |

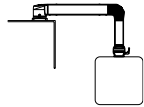




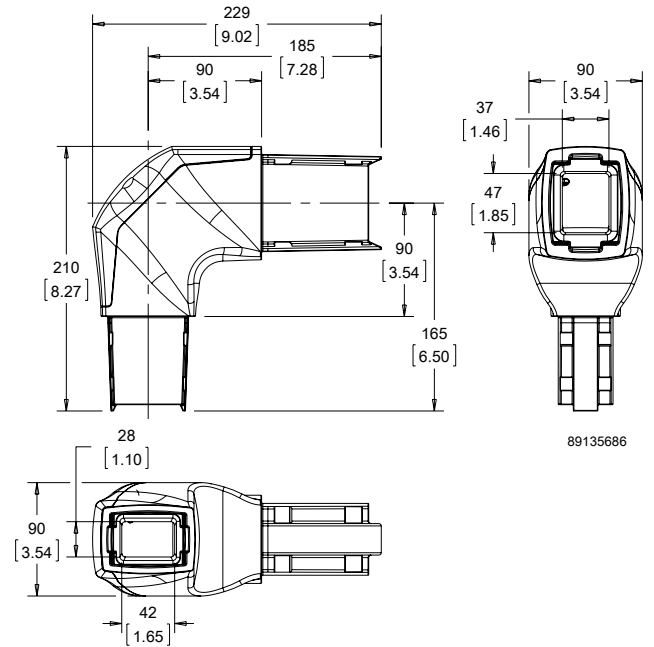
The reduction elbow provides a 90-degree bend in the suspension system between the horizontal tube and base connection of the SYSPEND 281-MAX system and the vertical components of the SYSPEND 180-MAX system. Die-cast aluminum construction. Available in RAL 9005 black finish only. Includes installation instructions, gaskets, and tube setscrews.

*Use of the reduction elbow with the SYSPEND 281-MAX base and tube increases the system load rating to 281 lb. (127 kg) at 3.3 ft. (1 m).*

**BULLETIN: CS5**



| Catalog Number | Color           | Weight (lb.) | Weight (kg) |
|----------------|-----------------|--------------|-------------|
| S1MRE          | RAL 9005, Black | 4.00         | 1.81        |

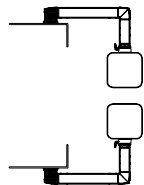


**SET-UP JOINT**

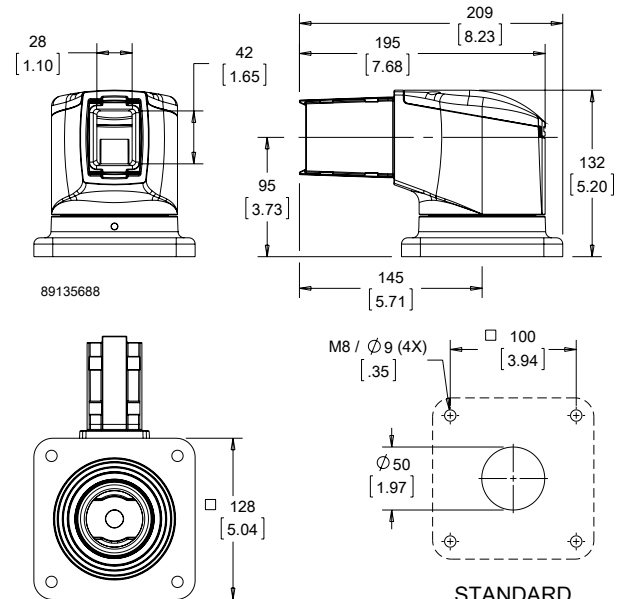


The set-up joint mounts the suspension system to a horizontal surface. The arm can be rotated 300 degrees. Includes a safety stop and maintenance-free bearings. Die-cast aluminum construction. Choice of RAL 9005 black or RAL 7035 light gray finish. Includes installation instructions, gaskets, and tube setscrews. Surface mounting hardware not provided.

**BULLETIN: CS5**



| Catalog Number | Color                | Weight (lb.) | Weight (kg) |
|----------------|----------------------|--------------|-------------|
| S1MSJ          | RAL 9005, Black      | 4.75         | 2.15        |
| S1MSJG         | RAL 7035, Light Gray | 4.75         | 2.15        |



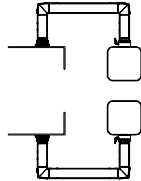
**STANDARD MOUNTING CUTOUT**

**ROTARY BASE**

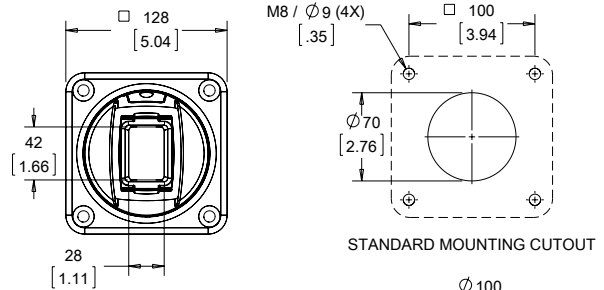


The rotatable base bracket allows the entire suspension system to rotate at the point of attachment on a horizontal surface. The arm can be rotated 300 degrees. Includes a safety stop and maintenance-free bearings. Die-cast aluminum construction. Choice of RAL 9005 black or RAL 7035 light gray finish. Includes installation instructions, gaskets, and tube setscrews. Surface mounting hardware not provided.

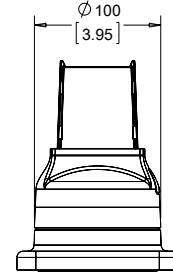
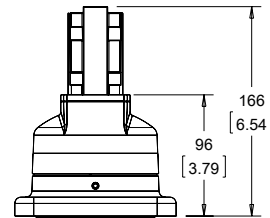
**BULLETIN: CS5**



| Catalog Number | Color                | Weight (lb.) | Weight (kg) |
|----------------|----------------------|--------------|-------------|
| S1MTBB         | RAL 9005, Black      | 3.75         | 1.70        |
| S1MTBBG        | RAL 7035, Light Gray | 3.75         | 1.70        |



STANDARD MOUNTING CUTOUT



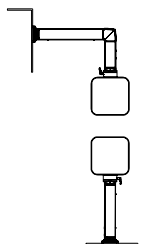
89135690

**WALL FLANGE**

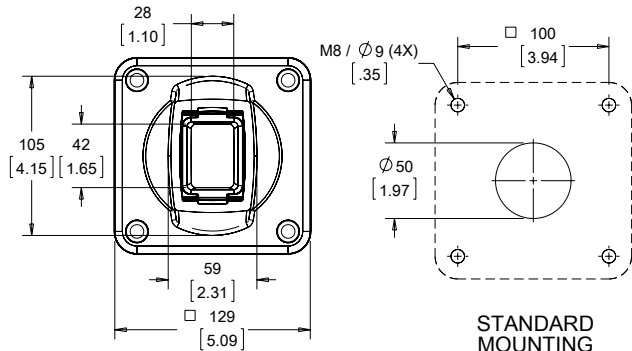


The wall flange allows for fixed positioning on a horizontal or vertical surface when rotation is not needed. Die-cast aluminum construction. Choice of RAL 9005 black or RAL 7035 light gray finish. Includes installation instructions, gaskets, and tube setscrews. Surface mounting hardware not provided.

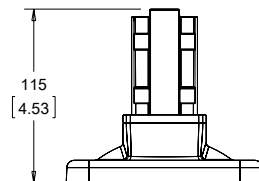
**BULLETIN: CS5**



| Catalog Number | Color                | Weight (lb.) | Weight (kg) |
|----------------|----------------------|--------------|-------------|
| S1MWF          | RAL 9005, Black      | 2.00         | .91         |
| S1MWF6         | RAL 7035, Light Gray | 2.00         | .91         |



STANDARD MOUNTING CUTOUT



89135692

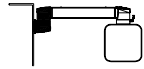


**HORIZONTAL WALL JOINT**

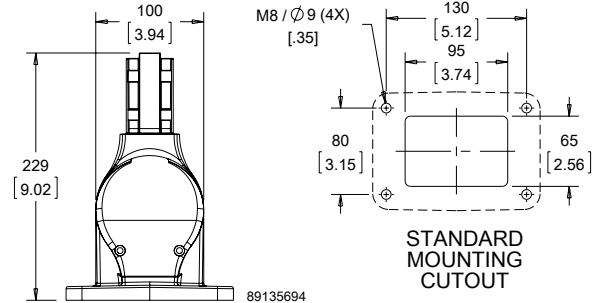
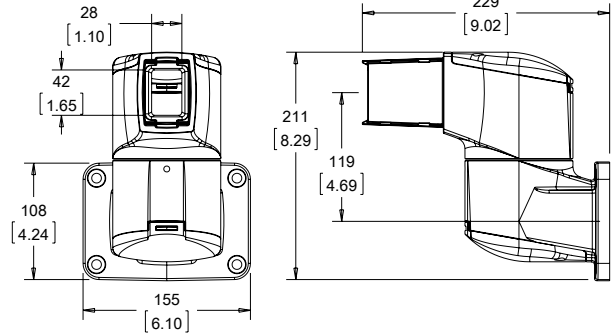


The horizontal wall joint mounts the suspension system to a vertical surface, allowing the tube to extend horizontally. The arm can be rotated 300 degrees. Includes a safety stop and maintenance-free bearings. Die-cast aluminum construction. Choice of RAL 9005 black or RAL 7035 light gray finish. Includes installation instructions, gaskets, and tube setscrews. Surface mounting hardware not provided.

**BULLETIN: CS5**



| Catalog Number | Color                | Weight (lb.) | Weight (kg) |
|----------------|----------------------|--------------|-------------|
| S1MWJH         | RAL 9005, Black      | 6.50         | 2.95        |
| S1MWJHG        | RAL 7035, Light Gray | 6.50         | 2.95        |

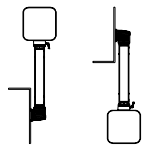


**VERTICAL WALL JOINT**

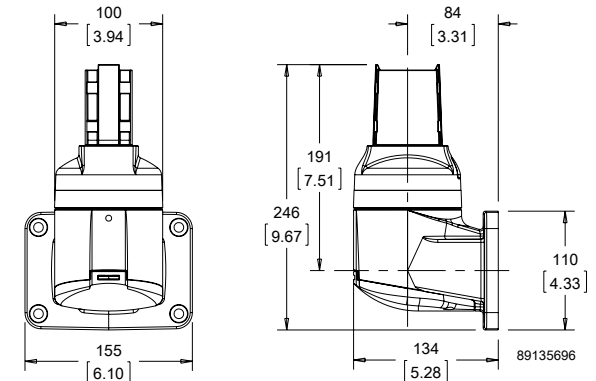
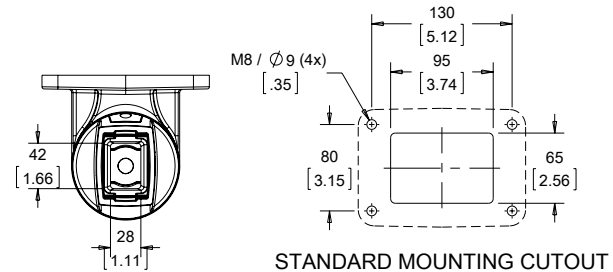


The vertical wall joint mounts the suspension system to a vertical surface, allowing the tube to extend vertically. The arm can be rotated 300 degrees. Includes a safety stop and maintenance-free bearings. Die-cast aluminum construction. Choice of RAL 9005 black or RAL 7035 light gray finish. Includes installation instructions, gaskets, and tube setscrews. Surface mounting hardware not provided.

**BULLETIN: CS5**



| Catalog Number | Color                | Weight (lb.) | Weight (kg) |
|----------------|----------------------|--------------|-------------|
| S1MWJV         | RAL 9005, Black      | 5.50         | 2.49        |
| S1MWJVJG       | RAL 7035, Light Gray | 5.50         | 2.49        |



### ROTATION LIMITER



Rotation limiters are a retrofit option to limit the rotation of couplings and joints which normally rotate 300 degrees. Each block limits rotation 30 degrees. Kit includes six rotation limiting blocks and installation instructions.

**BULLETIN: CS5**

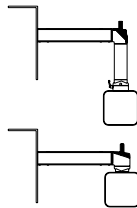
| Catalog Number | Qty. |
|----------------|------|
| S1MRL          | 6    |

### SIGNAL LIGHT ADAPTERS

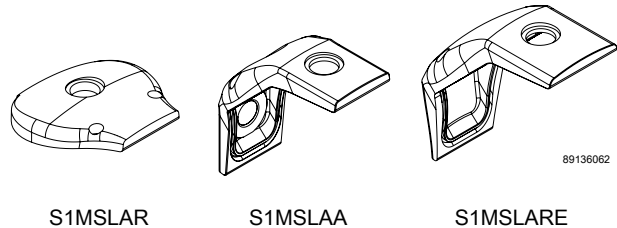


The signal light adapters are available in either round, elbow and reduction elbow cover versions and provide a means for attaching signal lights. Signal lights are not included. Aluminum caps are finished in RAL 9006 white aluminum powder paint. Includes caps, gasket, attachment hardware, and post.

**BULLETIN: CS5**



| Catalog Number | Description         | Color                    | Weight (lb.) | Weight (kg) |
|----------------|---------------------|--------------------------|--------------|-------------|
| S1MSLAR        | Round Cap           | RAL 9006, White Aluminum | .53          | .24         |
| S1MSLAA        | Angled Cap          | RAL 9006, White Aluminum | .58          | .26         |
| S1MSLARE       | Reduction Elbow Cap | RAL 9006, White Aluminum | .74          | .34         |



### REPLACEMENT CAPS



Replacement Caps for SYSPEND 180-MAX couplings are available in either round, elbow or reduction elbow versions. The hardware is included. The caps are aluminum finished in RAL 9006 white aluminum powder paint.

**BULLETIN: CS5**

| Catalog Number | Description         | Color                   | Weight (lb.) | Weight (kg) |
|----------------|---------------------|-------------------------|--------------|-------------|
| S1MCRK         | Round Cap           | RAL 9006 White Aluminum | .40          | .18         |
| S1MRCAK        | Angled Cap          | RAL 9006 White Aluminum | .40          | .18         |
| S1MCREK        | Reduction Elbow Cap | RAL 9006 White Aluminum | .40          | .18         |

### REPLACEMENT HARDWARE KIT

The replacement hardware kit includes spare parts necessary within the SYSPEND 180-MAX system.

Kit Includes:

- 1 lock actuator
- 1 lever clamp
- 1 coupling gasket
- 2 flat small gaskets
- 4 M6 allen head screws
- 4 M6 lock washers
- 12 M10 headless setscrews
- 1 flat large gasket
- 6 M12 headless setscrews
- .5 meters of 3mm cord gasket

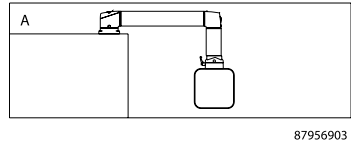
**BULLETIN: CS5**

| Catalog Number | Weight (lb.) | Weight (kg) |
|----------------|--------------|-------------|
| STMHRK         | .15          | .07         |

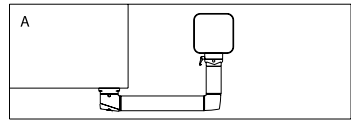
## SYSPEND 180-MAX SUSPENSION SYSTEM CONFIGURATIONS

Select suspension system sizing using the SYSPEND 180-MAX load capacity chart.

1. Tube catalog numbers are not included in configuration tables.
2. The catalog numbers for both RAL 9005 black and RAL 7035 light gray are given. Please select one catalog number per line, making sure to keep the color choice consistent throughout the system for a cohesive appearance.
3. There are multiple configurations possible with many of the options shown. Components can be inverted. For illustration purposes, configuration A shows how components can be inverted.



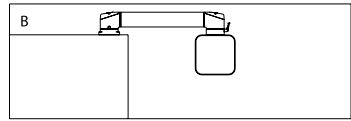
87956903



87956961

### A

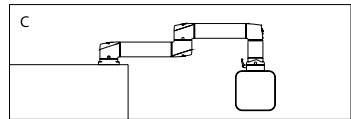
| Description     | Qty. | Catalog Number  |
|-----------------|------|-----------------|
| Set-up Joint    | 1    | S1MSJ<br>S1MSJG |
| Elbow           | 1    | S1ME<br>S1MEG   |
| Flange Coupling | 1    | S1MFC<br>S1MFCG |



87956965

### B

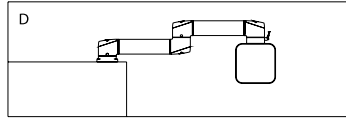
| Description           | Qty. | Catalog Number    |
|-----------------------|------|-------------------|
| Set-up Joint          | 1    | S1MSJ<br>S1MSJG   |
| Flange Elbow Coupling | 1    | S1MFEC<br>S1MFECG |



87956966

### C

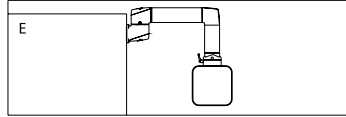
| Description        | Qty. | Catalog Number  |
|--------------------|------|-----------------|
| Set-up Joint       | 1    | S1MSJ<br>S1MSJG |
| Intermediate Joint | 1    | S1MIJ<br>S1MIJG |
| Elbow              | 1    | S1ME<br>S1MEG   |
| Flange Coupling    | 1    | S1MFC<br>S1MFCG |



87956967

**D**

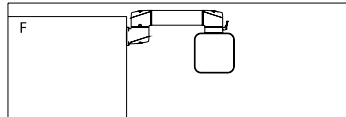
| Description           | Qty. | Catalog Number    |
|-----------------------|------|-------------------|
| Set-up Joint          | 1    | S1MSJ<br>S1MSJG   |
| Intermediate Joint    | 1    | S1MIJ<br>S1MIJG   |
| Flange Elbow Coupling | 1    | S1MFEC<br>S1MFECG |



87956969

**E**

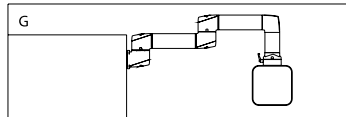
| Description           | Qty. | Catalog Number    |
|-----------------------|------|-------------------|
| Horizontal Wall Joint | 1    | S1MWJH<br>S1MWJHG |
| Elbow                 | 1    | S1ME<br>S1MEG     |
| Flange Coupling       | 1    | S1MFC<br>S1MFEG   |



87956970

**F**

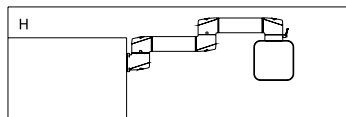
| Description           | Qty. | Catalog Number    |
|-----------------------|------|-------------------|
| Horizontal Wall Joint | 1    | S1MWJH<br>S1MWJHG |
| Flange Elbow Coupling | 1    | S1MFEC<br>S1MFECG |



87956971

**G**

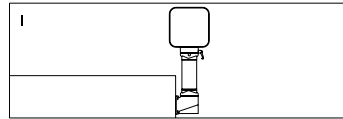
| Description           | Qty. | Catalog Number    |
|-----------------------|------|-------------------|
| Horizontal Wall Joint | 1    | S1MWJH<br>S1MWJHG |
| Intermediate Joint    | 1    | S1MIJ<br>S1MIJG   |
| Elbow                 | 1    | S1ME<br>S1MEG     |
| Flange Coupling       | 1    | S1MFC<br>S1MFEG   |



87956973

**H**

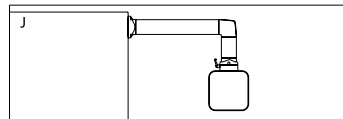
| Description           | Qty. | Catalog Number    |
|-----------------------|------|-------------------|
| Horizontal Wall Joint | 1    | S1MWJH<br>S1MWJHG |
| Intermediate Joint    | 1    | S1MIJ<br>S1MIJG   |
| Flange Elbow Coupling | 1    | S1MFEC<br>S1MFECG |



87956974

I

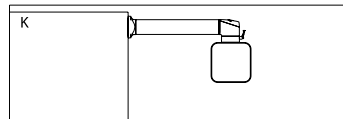
| Description         | Qty. | Catalog Number    |
|---------------------|------|-------------------|
| Vertical Wall Joint | 1    | S1MVWJ<br>S1MVWJG |
| Flange Coupling     | 1    | S1MFC<br>S1MFCG   |



87956975

J

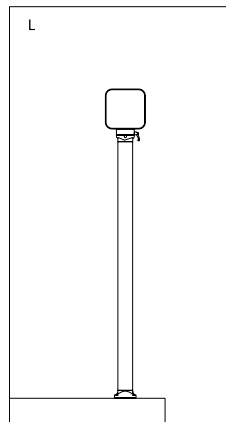
| Description     | Qty. | Catalog Number  |
|-----------------|------|-----------------|
| Wall Flange     | 1    | S1MWF<br>S1MWFG |
| Elbow           | 1    | S1ME<br>S1MEG   |
| Flange Coupling | 1    | S1MFC<br>S1MFCG |



87956976

K

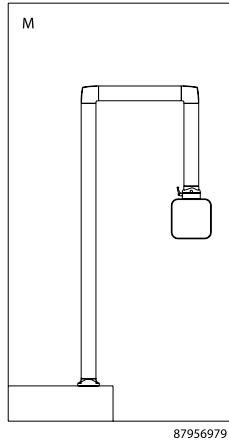
| Description           | Qty. | Catalog Number    |
|-----------------------|------|-------------------|
| Wall Flange           | 1    | S1MWF<br>S1MWFG   |
| Flange Elbow Coupling | 1    | S1MFEC<br>S1MFECG |



87956977

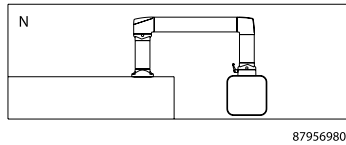
L

| Description     | Qty. | Catalog Number  |
|-----------------|------|-----------------|
| Wall Flange     | 1    | S1MWF<br>S1MWFG |
| Flange Coupling | 1    | S1MFC<br>S1MFCG |



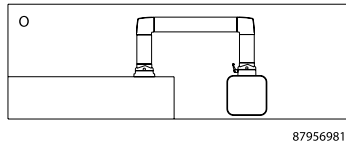
**M**

| Description     | Qty. | Catalog Number  |
|-----------------|------|-----------------|
| Wall Flange     | 1    | S1MWF<br>S1MWFG |
| Elbow           | 2    | S1ME<br>S1MEG   |
| Flange Coupling | 1    | S1MFC<br>S1MFCG |



**N**

| Description     | Qty. | Catalog Number  |
|-----------------|------|-----------------|
| Wall Flange     | 1    | S1MWF<br>S1MWFG |
| Rotatable Elbow | 1    | S1MER<br>S1MERG |
| Elbow           | 1    | S1ME<br>S1MEG   |
| Flange Coupling | 1    | S1MFC<br>S1MFCG |



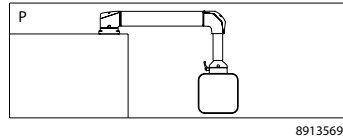
**O**

| Description     | Qty. | Catalog Number    |
|-----------------|------|-------------------|
| Rotary Base     | 1    | S1MTBB<br>S1MTBBG |
| Elbow           | 2    | S1ME<br>S1MEG     |
| Flange Coupling | 1    | S1MFC<br>S1MFCG   |

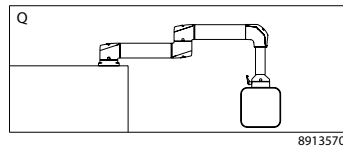
Note to Specifier:

The Following Images show how you can combine the SYSPEND 281-MAX and SYSPEND 180-MAX systems using the Reduction Elbow. The Length of the system will need to come from the SYSPEND 281-MAX and the connection to the enclosure will be the SYSPEND 180-MAX. The following charts will include the number of tubes necessary for each system as well as the couplings.

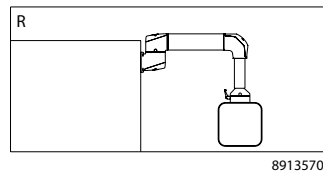
Please note that all of the possible length options for tubes are given for your reference and only select the total number of parts listed in the table Qty. column.


**P**

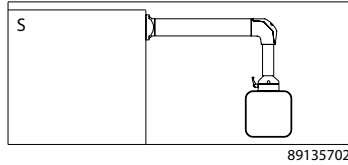
| Description                        | Qty. | Catalog Number  |
|------------------------------------|------|---|
| 281-MAX Set-up Joint               | 1    | S2MSJ   |
| 281-MAX Tube                       | 1    | S2MT250<br>S2MT500<br>S2MT750<br>S2MT1000<br>S2MT1250<br>S2MT1500<br>S2MT1750<br>S2MT2000 |
| 281-MAX to 180-MAX Reduction Elbow | 1    | S1MRE   |
| 180-MAX Tube                       | 1    | S1MT250<br>S1MT500<br>S1MT750<br>S1MT1000<br>S1MT1250<br>S1MT1500                         |
| 180-MAX Flange Coupling            | 1    | S1MFC   |


**Q**

| Description                        | Qty. | Catalog Number  |
|------------------------------------|------|---|
| 281-MAX Set-up Joint               | 1    | S2MSJ   |
| 281-MAX Tubes                      | 2    | S2MT250<br>S2MT500<br>S2MT750<br>S2MT1000<br>S2MT1250<br>S2MT1500<br>S2MT1750<br>S2MT2000 |
| 281-MAX Intermediate Joint         | 1    | S2MIJ   |
| 281-MAX to 180-MAX Reduction Elbow | 1    | S1MRE   |
| 180-MAX Tube                       | 1    | S1MT250<br>S1MT500<br>S1MT750<br>S1MT1000<br>S1MT1250<br>S1MT1500                         |
| 180-MAX Flange Coupling            | 1    | S1MFC   |

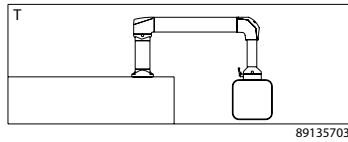

**R**

| Description                        | Qty. | Catalog Number  |
|------------------------------------|------|---|
| 281-MAX Horizontal Wall Joint      | 1    | S2MWJH  |
| 281-MAX Tube                       | 1    | S2MT250<br>S2MT500<br>S2MT750<br>S2MT1000<br>S2MT1250<br>S2MT1500<br>S2MT1750<br>S2MT2000 |
| 281-MAX to 180-MAX Reduction Elbow | 1    | S1MRE   |
| 180-MAX Tube                       | 1    | S1MT250<br>S1MT500<br>S1MT750<br>S1MT1000<br>S1MT1250<br>S1MT1500                         |
| 180-MAX Flange Coupling            | 1    | S1MFC   |



**S**

| Description                        | Qty. | Catalog Number  |
|------------------------------------|------|---|
| 281-MAX Wall Flange                | 1    | S2MWF   |
| 281-MAX Tube                       | 1    | S2MT250<br>S2MT500<br>S2MT750<br>S2MT1000<br>S2MT1250<br>S2MT1500<br>S2MT1750<br>S2MT2000 |
| 281-MAX to 180-MAX Reduction Elbow | 1    | S1MRE   |
| 180-MAX Tube                       | 1    | S1MT250<br>S1MT500<br>S1MT750<br>S1MT1000<br>S1MT1250<br>S1MT1500                         |
| 180-MAX Flange Coupling            | 1    | S1MFC   |



**T**

| Description                        | Qty. | Catalog Number  |
|------------------------------------|------|---|
| 281-MAX Wall Flange                | 1    | S2MWF   |
| 281-MAX Rotatable Elbow            | 1    | S2MER   |
| 281-MAX Tubes                      | 2    | S2MT250<br>S2MT500<br>S2MT750<br>S2MT1000<br>S2MT1250<br>S2MT1500<br>S2MT1750<br>S2MT2000 |
| 281-MAX to 180-MAX Reduction Elbow | 1    | S1MRE   |
| 180-MAX Tube                       | 1    | S1MT250<br>S1MT500<br>S1MT750<br>S1MT1000<br>S1MT1250<br>S1MT1500                         |
| 180-MAX Flange Coupling            | 1    | S1MFC   |