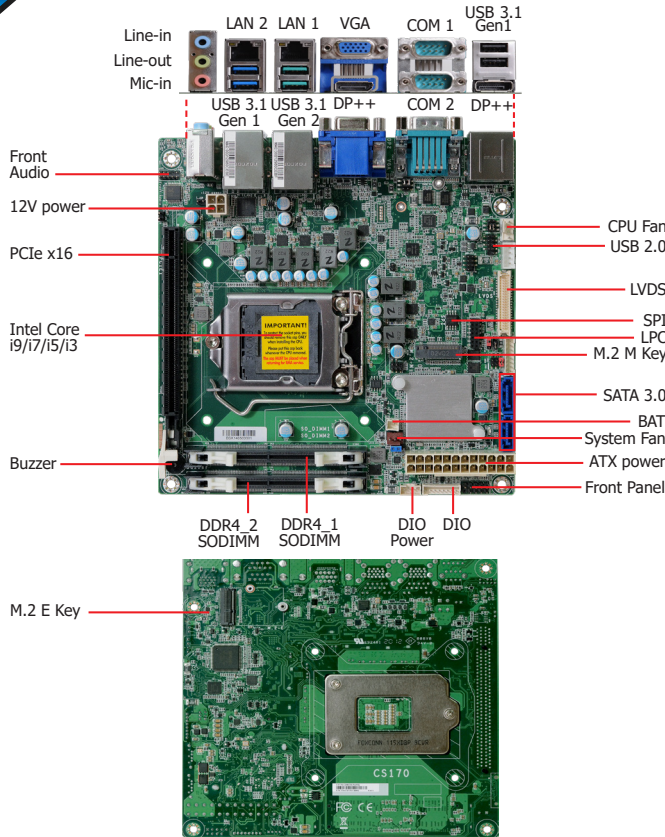


CS170 -Q370/C246

Desktop

Q370
C246



Features

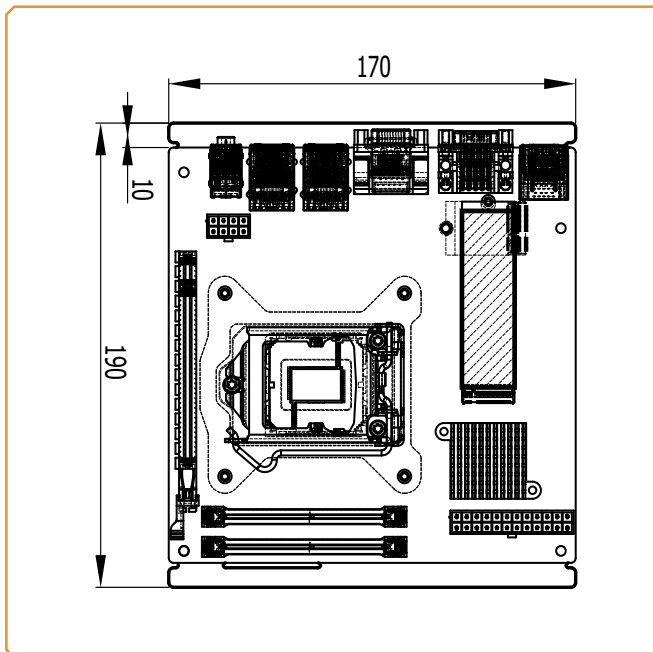
- 2 DDR4 2400/2666MHz SODIMM up to 32GB
- Three independent display: LVDS + VGA + DP++, LVDS + DP++ + DP++, VGA + DP++ + DP++
- DP++ resolution supports up to 4096x2304 @ 60Hz
- Multiple Expansions: 1 PCIe x16 Gen 3, 1 M.2 2230 E Key, 1 M.2 2280 M Key
- Storage: 2 SATA 3.0
- Rich I/O: 2 Intel GbE, 2 COM, 2 USB 3.1 Gen 2, 4 USB 3.1 Gen 1



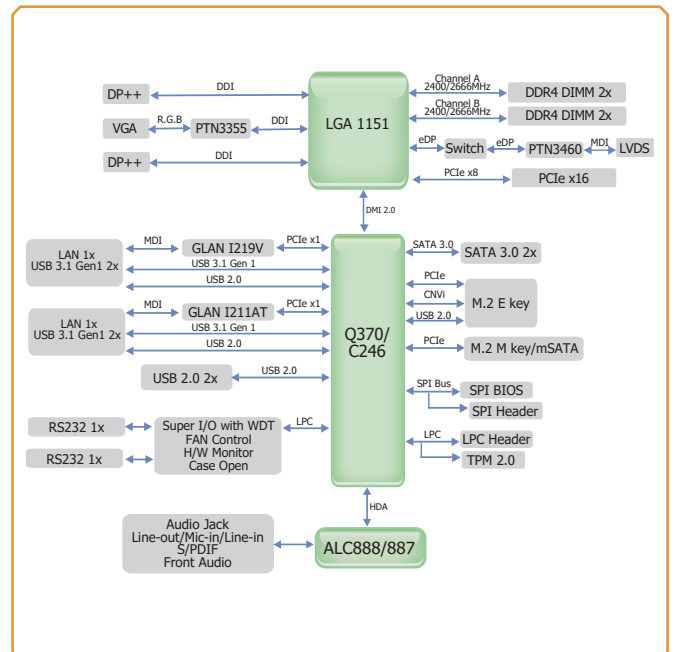
Ordering Information

Model Name	P/N	Memory	LVDS/eDP Display	GbE	COM	USB 3.1 Gen 2	USB 3.1 Gen 1	USB 2.0	M.2 M	M.2 E	SATA 3.0	Power Conn	Temps
CS170-Q370DB	770-CS1701-100G	2 DDR4	LVDS	2HDMI/DP++	2	2	2	2	1	1	2	24-pin ATX	-5 to 65°C
CS170-C246DB	770-CS1701-200G	2 DDR4	LVDS	2HDMI/DP++	2	2	2	2	1	1	2	24-pin ATX	-5 to 65°C

Mechanical Drawing



Block Diagram



Specifications

SYSTEM	Processor	9th Generation Intel® Core™ Processors, LGA 1151 Socket, TDP up to 95W Intel® Xeon E-2278GE Processor (Core 8; Max speed 4.7 GHz; TDP 80W) (support ECC memory) Intel® Core i9-9900K Processor (Core 8, Max speed 5.0 GHz; TDP 95W) (Non-LTS) Intel® Core i7-9700E Processor (Core 8; Max speed 4.4 GHz; TDP 65W) Intel® Core i7-9700TE Processor (Core 8; Max speed 3.8 GHz; TDP 35W) Intel® Core i5-9500E Processor (Core 6; Max speed 4.2 GHz; TDP 65W) Intel® Core i5-9500TE Processor (Core 6; Max speed 3.6 GHz; TDP 35W) Intel® Core i3-9100E Processor (Core 4; Max speed 3.7 GHz; TDP 65W) (support ECC memory) Intel® Core i3-9100TE Processor (Core 4; Max speed 3.2 GHz; TDP 35W) (support ECC memory) 8th Generation Intel® Core™ Processors, LGA 1151 Socket, TDP up to 95W Intel® Xeon E-2176G Processor (Core 6; Max speed 4.7 GHz; TDP 80W) (support ECC memory) Intel® Core™ i7-8700 Processor (Core 6; Max speed 4.6 GHz; TDP 65W) Intel® Core™ i7-8700T Processor (Core 6; Max speed 4.0 GHz; TDP 35W) Intel® Core™ i5-8500 Processor (Core 6; Max speed 4.1 GHz; TDP 65W) Intel® Core™ i5-8500T Processor (Core 6; Max speed 3.5 GHz; TDP 35W) Intel® Core™ i3-8100 Processor (Core 4; Max speed 3.6 GHz; TDP 65W) (support ECC memory) Intel® Core™ i3-8100T Processor (Core 4; Max speed 3.1 GHz; TDP 35W) (support ECC memory) Intel® Pentium G5400 Processor (Core 2; Max speed 3.7 GHz; TDP 58W) (support ECC memory) Intel® Celeron G4900 Processor (Core 2; Max speed 3.1 GHz; TDP 54W) (support ECC memory)		
	Memory	Dual Channel DDR4 2400/2666MHz C246: Two 260-pin ECC/non-ECC SODIMM up to 32GB (Core™ i5/i7 only support non-ECC) Q370: Two 260-pin non-ECC SODIMM up to 32GB		
	Chipset	Intel® Q370/C246 Chipset		
	BIOS	AMI SPI 128Mbit		
	GRAPHICS	Controller	Intel® UHD Graphics 630 (Pentium G5400 and Celeron G4900 support Intel® UHD Graphics 610)	
	Feature	OpenGL 4.5, DirectX 12, OpenCL 2.1 HW Decode: AVC/H.264, MPEG2, VC1/WMV9, JPEG/MJPEG, HEVC/H265, VP8, VP9 HW Encode: AVC/H.264, MPEG2, JPEG, HEVC/H265, VP8, VP9		
	Display	1 x LVDS 1 x VGA 2 x DP++	LVDS: resolution up to 1920x1200 @ 60Hz VGA: resolution up to 1920x1200 @ 60Hz DP++: resolution up to 4096x2304 @ 60Hz	
	Triple Displays	LVDS + VGA + DP++, LVDS + DP++ + DP++, VGA + DP++ + DP++		
EXPANSION	Interface	1 x PCIe x16 (Gen 3) 1 x M.2 2280 M Key (PCIe x4/SATA) (support NVMe and Intel® Optane memory) 1 x M.2 2230 E Key (USB/PCIe) (bottom side)		
AUDIO	Audio Codec	Realtek ALC888/887		
ETHERNET	Controller	1 x Intel® I219LM PHY with iAMT12 and vPro (10/100/1000Mbps) (Core i7/i5 supports iAMT) 1 x Intel® I210AT PCIe (10/100/1000Mbps)		
REAR I/O	Ethernet	2 x GbE (RJ-45)		
	USB	2 x USB 3.1 Gen2	4 x USB 3.1 Gen1	
	Display	1 x VGA (DB-15)	2 x DP++	
	Serial	2 x RS-232 (DB-9)		
	Audio	1 x Line-out 1 x Mic-in	1 x Line-in	
INTERNAL I/O	Display	1 x LVDS	1 x LCD/Inverter Power	
	Audio	1 x Front Audio (2.00mm pitch)		
	USB	2 x USB 2.0 (2.00mm pitch)		
	SATA	2 x SATA 3.0 (up to 6Gb/s)	RAID 0/1/5	
	DIO	1 x 8-bit DIO	1 x DIO Power	
	LPC	1 x LPC		
	SMBus	1 x SMBus		
WATCHDOG TIMER	Output & Interval	System Reset, Programmable via Software from 1 to 255 Seconds		
SECURITY	TPM	dTPM2.0 (available upon request)		
POWER	Type	ATX		
	Connector	4-pin ATX 12V power	24-pin ATX power	
	RTC Battery	CR2032 Coin Cell		
	Consumption	Idle: i7-8700K 3.3V @ 0.11A (0.363W), 5V @ 0.45A (2.25W), 12V @ 0.31A (3.72W) Max: i7-8700K 3.3V @ 0.13A (0.429W), 5V @ 1.2A (6W), 12V @ 10.35A (124.2W)		
OS SUPPORT	Microsoft/Linux	Windows 10 IoT Enterprise 64-bit	Linux	
ENVIRONMENT	Temperature	Operating: -5 to 65°C	Storage: -40 to 85°C	
	Humidity	Operating: 5 to 90% RH	Storage: 5 to 90% RH	
	MTBF	CS170-Q370: 634,945 hrs @ 25°C; 387,836 hrs @ 45°C; 254,993 hrs @60°C Calculation model: Telcordia Issue 4 Environment: GB, GC - Ground Benign, Controlled		
	MECHANICAL	Dimensions	Mini-ITX Form Factor 170mm (6.7") x 170mm (6.7")	
	Height	PCB: 1.6mm Top Side: 20mm, Bottom Side: 3mm		

Packing List

• 1 CS170 motherboard	
• 1 Serial ATA data cable (Length: 500mm)	332-553001-005G
• 1 I/O shield	A49-CVL000-A10G

Optional Items

• USB port cable (Length: 200mm)	A81-001032-016G
• Serial ATA data cable (Length: 500mm)	332-553001-005G
• Thermal solution (For 35W, Height: 37.3mm)	A71-103004-000G
• Thermal solution (For 65W, Height: 72.8mm)	552-200049-000G
• Thermal solution (For 80W, Height: 77.1mm)	761-103001-000G