



### Features

- 15" TFT LCD Resistive Touch. LED Backlight
- Panel & VESA mount
- Easy to use function key
- Open frame design
- Wide range 11~32 V DC power input for option



### Specifications

#### IO Port

VGA	1
DVI	Option
RCA	Option
S-Video	Option
OSD Control Membrane	5 Keys at Rear
Other	RS-232 or USB Interface for Touch
Power connector	3 Pins Terminal Block Connector

#### Display

Display type	15" TFT-LCD
Max. resolution	1024 x 768
Max. color	16.2M
Luminance(cd/m <sup>2</sup> )	350
View angle(H°/V°)	160/160
Contrast	800:1
Backlight lifetime(hrs)	50,000

#### Touch Screen

Type	Resistive touch
Interface	USB/RS-232
Light transmission (%)	80%

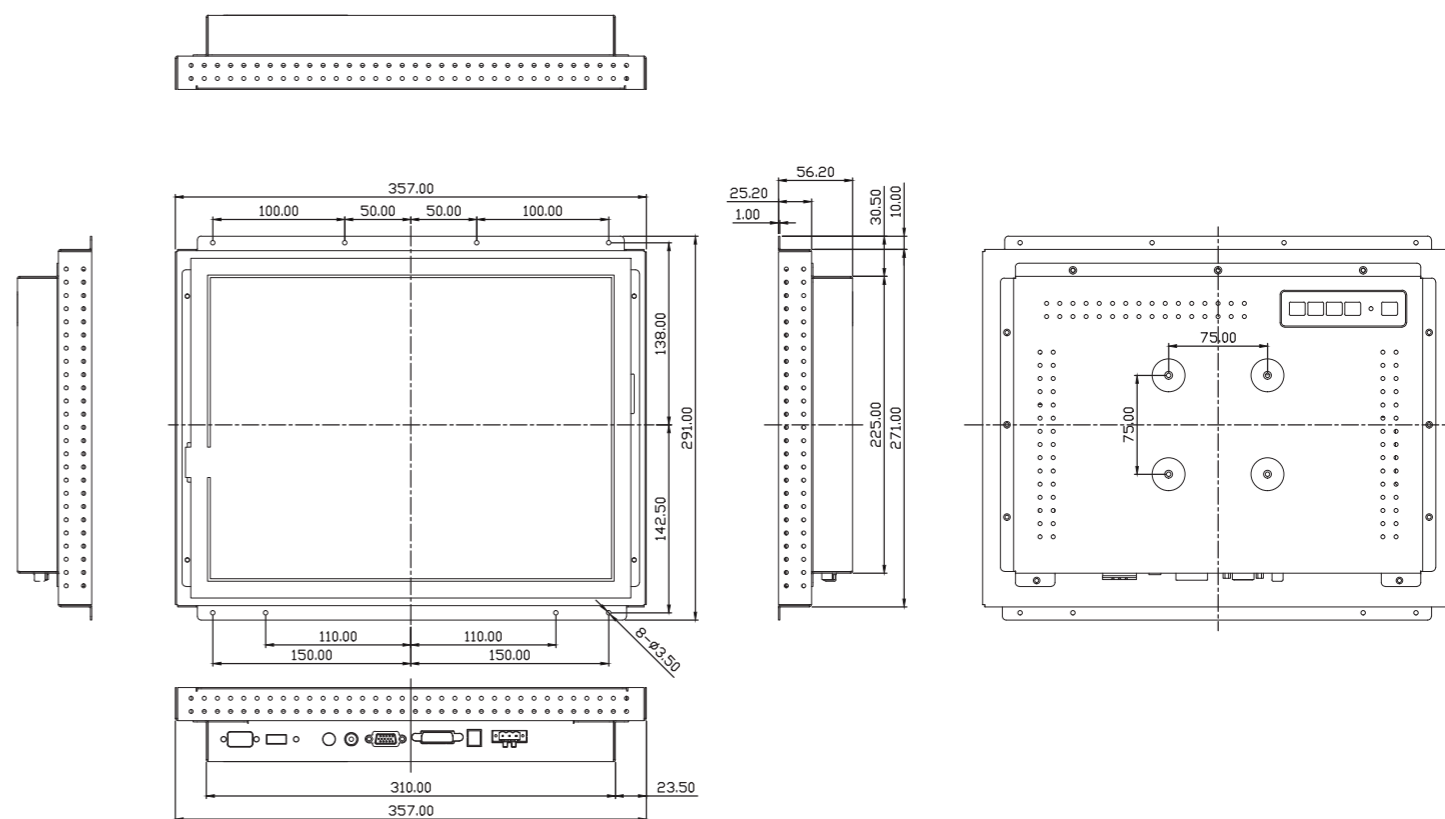
#### Power

Power input	12V DC / 11~32V DC for option
Power Consumption	Max: 25.3W

#### Mechanical

Construction	Steel Chassis
IP rating	None
Mounting	Panel mounting, VESA 75 x 75
Dimension(mm)	357(W) x 291(H) x 56.2(D)mm
Net weight(Kgs)	2.9

### Dimensions



#### Environment

Operating temperature(°C)	0°C ~ 50°C
Storage temperature(°C)	-20°C ~ 60°C
Storage humidity	10 to 90%@ 40°C, non-condensing
Certification	Meet CE/FCC Class A

#### Ordering information

OPD-1156-03	15" XGA open frame, VGA input, without touch, 12V DC power input with adaptor
-------------	---