

# MIC-730IVA

## 8ch AI Network Video Recorder on NVIDIA Jetson® Xavier



### Features

- NVIDIA Jetson™ Xavier embedded
- Support 8ch PoE video input
- Support 2 x 3.5" HDD
- Bundle with Linux Ubuntu 18.04 with BSP
- Low power consumption
- H.264 / H.265 camera supported
- Jetpack 4.2.2 compatible

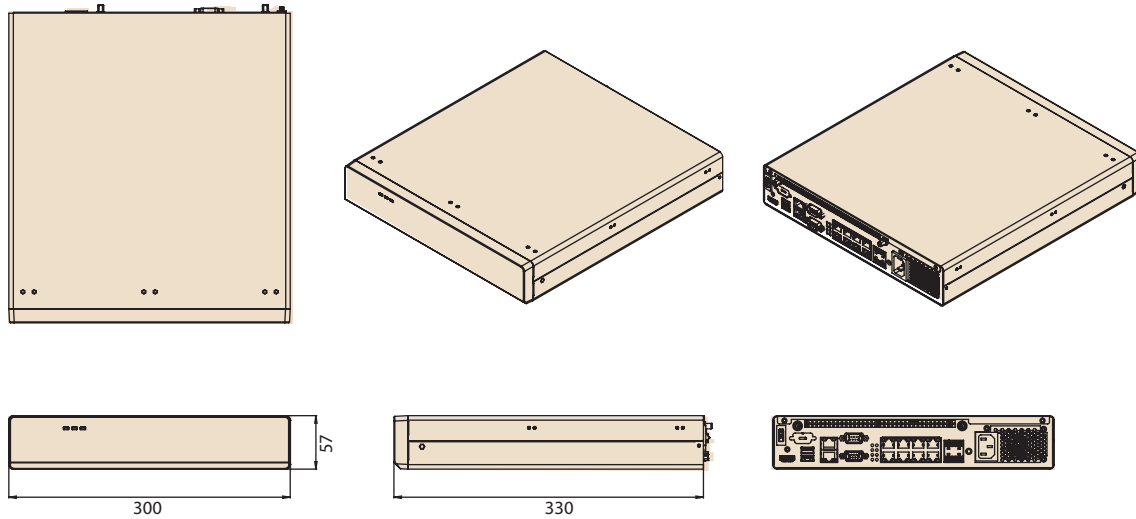


### Specifications

		Jetson AGX Xavier 16/32GB
Processor System	GPU	NVIDIA Volta™ architecture with 512 NVIDIA CUDA cores and 64 Tensor cores 11 TFLOPS (FP16) 22 TOPS (INT8)
	CPU	8-core ARM v8.2 64-bit CPU, 8MB L2 + 4MB L3
	DLA	5 TFLOPS (FP16) 10 TOPS (INT8)
	Memory	16 GB 256-bit LPDDR4x 2133MHz - 137GB/s
	Storage	32GB eMMC 5.1
Camera Interface PoE	Controller	Marvell 88E1512
	LAN Switch	Realtek RTL8316SI
	Bandwidth	10/100 Mbps
	Compliant	IEEE 802.3af
	Power Output	Single 15.4 W , Total 60W
Ethernet	Interface	RJ45 x 2
	Controller	Intel® 210IT
	Speed	10/100/1000 Mbps
I/O	Display	HDMI (Max. resolution 3840x2160 @ 60Hz)
	USB	USB 3.0 x 2
	DI/DO	8 bit (4In/4Out)
	Power Switch	Power ON/OFF Switch x 1
	OTG USB	USB2.0 x 1 (Internal)
	COM	RS-232/RS-422/RS-485 x 2
Expansion	MiniPCIe	1 x Full Size MiniPCIe with SIM card holder
Storage	Drive Bay	3.5" HDD x 2 (internal) or 2.5" HDD x 2 via 989K008734 module (optional)
	SATA Port	2
Power	Power Supply Voltage	AC100-240V 250W ATX
Environment	Operational Temperature	0 ~ 50 °C with 0.7 m/s air flow
	Operating Humidity	95% @ 40 °C (non-condensing)
	Vibration	0.5 Grms @ 5 ~ 500 Hz, random, 1 hr/axis
Mechanical	Dimensions (W x D x H)	300 x 330 x 57mm (11.8" x 13" x 2.24")
	Weight	3 kg
	Installation	Desktop
Operating System	Linux	Ubuntu 18.04
Certifications		CE/FCC/BSMI/CCC

## Dimensions

Unit: mm



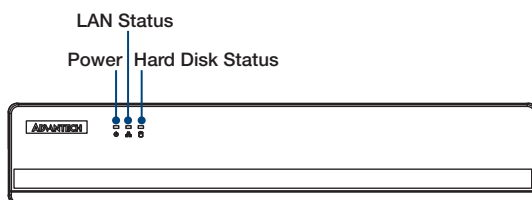
## Ordering Information

Part Number	NVIDIA Jetson	CUDA/Tensor Cores	CPU	Memory	eMMC	PoE	HDMI	USB3.0	DI/DO	LAN
MIC-730IVA-00B1	Xavier	512/64	8-core ARM v8.2 64-bit CPU	LPDDR4 16G 1333MHz	32GB	8	1	2	4In/4Out	2

## Packing List

Part Number	Description	Quantity
MIC-730IVA	AI NVR based on NVIDIA Jetson® Xavier	1
1960091140N000	3.5" HDD Bay bracket	2
1700002155-01	HDD SATA Cable	2
1700023619-01	USB Cable	1
1960005359T002	Mounting bracket	2
1990005896S000	Rubber foot pads	4

## Front View



## Rear View

