

IDP31-215W

21.5" Bezel-less Touch Monitor



Features

- 21.5" LCD wide screen panel with LED backlight delivers a long service life
- Supports wide operating temperatures
- True flat surface – contemporary Proflat design
- Wide viewing angles support portrait and landscape modes
- Thin profile enclosure eliminates need for additional casing or metalwork
- Multi-touch PCAP touchscreen with USB interface
- Optional anti-reflective surface treatment empowers sunlight readability
- Increase panel brightness to 1200 nits using an optional enhancement
- IP rating for water and dust protection



Introduction

Advantech's IDP31-215W Proflat monitor meets demands for stylish contemporary public signage, medical, and POS applications. This solution features a flat, easy to clean/maintain glass surface with long-term product availability. IDP31-215W can be used in either portrait or landscape modes using a VESA mount. This solution's metal chassis creates a rugged and stable platform for a wide range of applications and solutions.

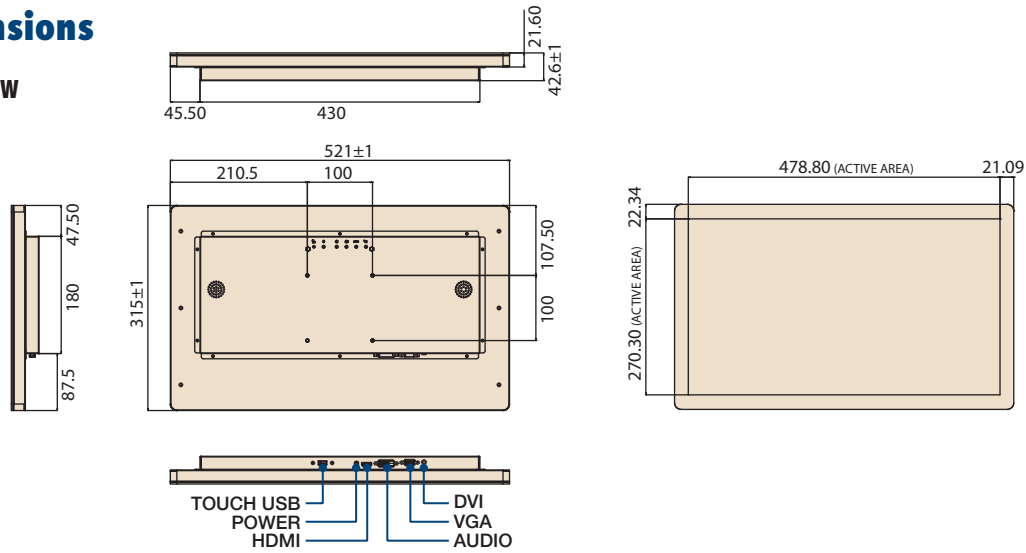
Specifications

Display Features	Spec		Notes
Model	IDP31-215W (IP54, with built-in speakers)	IDP31-215W (IP65)	
Backlight	LED		Light source
Resolution	1920 x 1080		Full HD
Brightness	250 cd/m ²		Measured at typical operating voltage
Viewing Angle	89/89/89/89	89/89/89/89	Left/Right/Up/Down
Max Colors	16.7M		
Contrast Ratio	1000:1		Typical
Response Time	14 ms	22 ms	Typical
Backlight Lifetime	30,000 hours	50,000 hours	Minimum
Touchscreen Type	Projected Capacitive		10 points
Surface Hardness	6H	7H	Pencil hardness
Transparency	86%	85%	Minimum
Cover Glass Thickness	3 mm (0.11 in)	1.8 mm (0.07 in)	
Operating Temperature	0 ~ 45 °C (32 ~ 113 °F)	0 ~ 60 °C (32 ~ 140 °F)	
Storage Temperature	-20 ~ 60 °C (-4 ~ 140 °F)	-20 ~ 60 °C (-4 ~ 140 °F)	
Humidity	90% @ 40 °C (104 °F)	80% @ 50 °C (122 °C)	Non-condensing
Input/Output	1 x HDMI; 1 x VGA; 1 x DVI-D; 1 x Audio (audio output 3W) 1 x 12 V _{DC} Jack; 1 x USB	1 x HDMI, 1 x 12 V _{DC} Jack, 1 x USB	USB is reserved for the connection to enable touch only
OSD	Keys: Menu, Up, Down, Auto Adjust, Monitor Power on/off Menu Functions: Brightness, Contrast, Screen Settings, Color Temp, Language OSD settings, VGA/DVI, Recall, Auto Adjust		
Power Consumption	16W	12.7W	Maximum
Power Input	12V _{DC} ± 5%		With barrel connector 5.5 x 2.5 mm (0.21 x 0.09 in)
Mounting	VESA mount	VESA/Panel mount	
IP Rating	Front IP54	Front IP65	
Package Dimensions	620 x 200 x 410 mm (24.4 x 7.87 x 16.1 in)	620 x 180 x 480 mm (24.4 x 7.08 x 18.8 in)	
Net Weight	4.8 kg (10.58 lb)	5.4 kg (11.9 lb)	
Gross Weight	6.0 kg (13.2 lb)	6.9 kg (15.2 lb)	

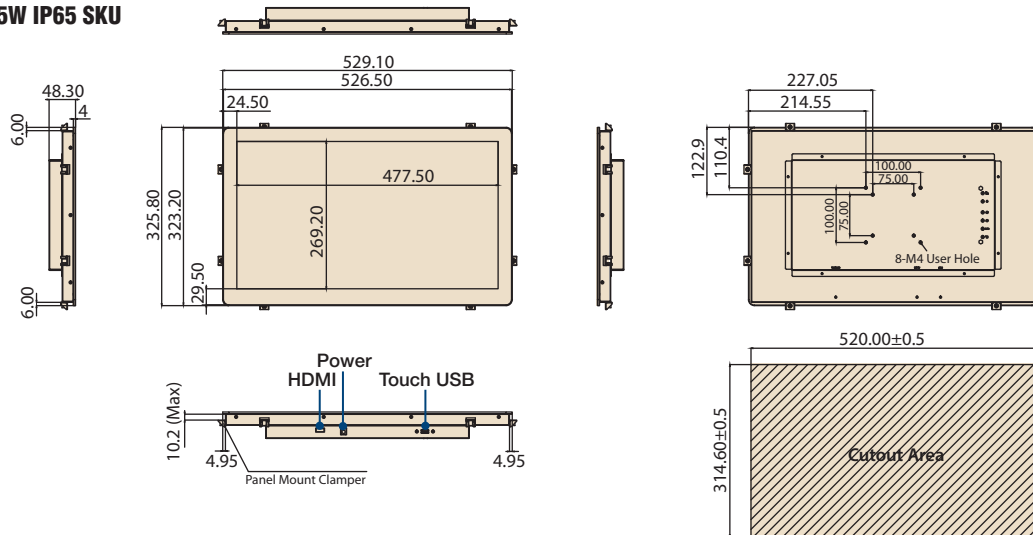
Dimensions

IDP31-215W

Unit: mm [inch]



IDP31-215W IP65 SKU



Ordering Information

Model Name	Description
IDP31-215WP25HIB2	21.5", Bezel-less touch monitor with PCAP touch screen, FHD, 250 cd/m ² brightness, VGA, DVI, and HDMI input
IDP31-215WP25HIC1	21.5", Bezel-less touch monitor with P-cap touch screen, FHD, 250 cd/m ² brightness, and HDMI input

Optional Items

Part Number	Description
1702002600	3-Pin power cord (USA)
1700000596	3-Pin power cord (China)
1700018705	3-Pin power cord (EU)
1700018704	3-Pin power cord (UK)
1700008921	3-Pin power cord with PSE (Japan)
96PSA-A60W12R1-3	Adapter AC100-240V 60W +12V/5A
1700023591-01	HDMI cable 1.2 m (3.93 ft)

Packing List

Part Number	Description
1700002215	1 x M cable USB-A(M)/USB-A(M) 180CM
1700021332-1	1 x VGA cable 15P(M) 1.8 m (5.9 ft)
1992610005	1 x Cable clamp
1933030500	1 x Screw of cable clamp
1992602010	2 x Cable tie (for IP65 SKU)
1931030602	2 x Screw M3_6L (for IP65 SKU)
1990020706S000	2 x USB cable clip (for IP65 SKU)
1930002205	8 x Screw M4_30L (for IP65 SKU)
1962055040	8 x Clamper (for IP65 SKU)
1700027186-01	HDMI cable 1.5 m (4.9 ft) (for IP65 SKU)

All Advantech monitors are configurable to order. Use www.advantech.com for guidance on versions, pricing and deliver for all models