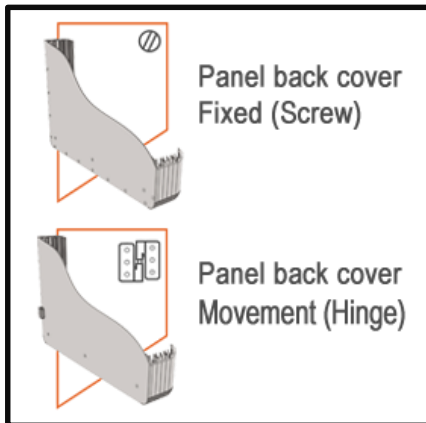




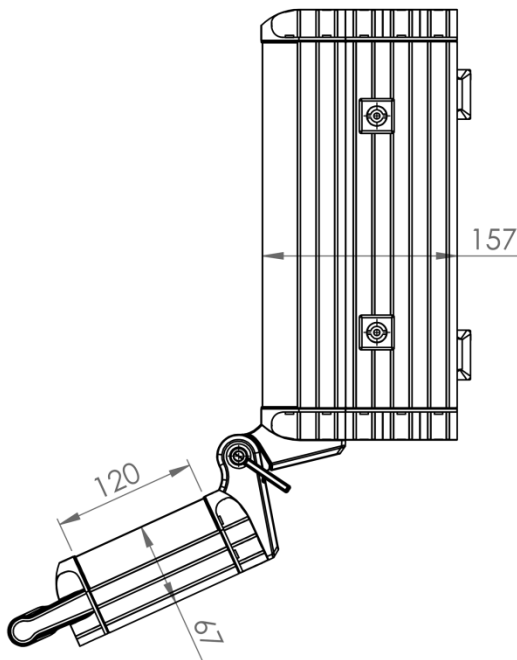
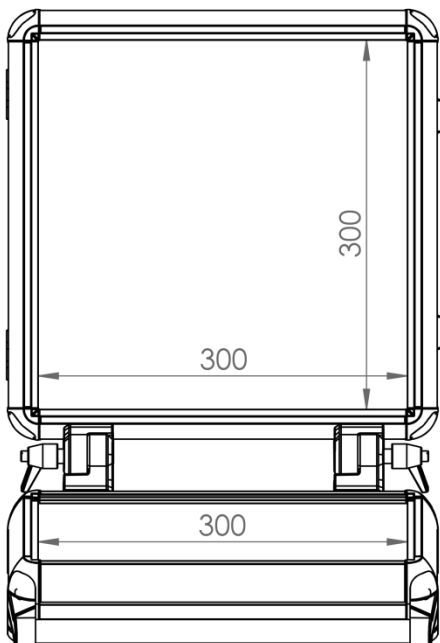
ISO9001  

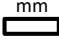
# ECO.6091.6000

Panels Systems



Weight (gr)	-
Color / Ral Code	Aluminium Anodized
Package	1
Package Dimension (mm)	440x380x200
Material	Aluminium



Installation Area			Back Area		Installation Depth		Keyboard Area			Support Arm No. TK		Order No
Weight mm	Height mm	Depth mm	Hinge	Screw	H Profile installation platform	Installation Deep mm	Weight mm	Height mm	Depth mm	130 mm $\phi$	118 x 65.5 mm 	
300	300	150	Yes	-	Yes	127	300	300	60	-	Yes	6091-6004
300	300	150	-	Yes	-	150	300	300	60	-	Yes	6091-6005
300	400	150	Yes	-	Yes	127	300	300	60	-	Yes	6091-6006
300	400	150	-	Yes	-	150	300	300	60	-	Yes	6091-6007
400	400	150	Yes	-	Yes	127	400	300	60	-	Yes	6091-6008
400	400	150	-	Yes	-	150	400	300	60	-	Yes	6091-6009
400	500	150	Yes	-	Yes	127	400	300	60	-	Yes	6091-6010
400	500	150	-	Yes	-	150	400	300	60	-	Yes	6091-6011
500	500	150	Yes	-	Yes	127	500	400	60	-	Yes	6091-6012
500	500	150	-	Yes	-	150	500	400	60	-	Yes	6091-6013
500	600	150	Yes	-	Yes	127	500	400	60	-	Yes	6091-6014
500	600	150	-	Yes	-	150	500	400	60	-	Yes	6091-6015
600	600	150	Yes	-	Yes	127	600	400	60	-	Yes	6091-6016
600	600	150	-	Yes	-	150	600	400	60	-	Yes	6091-6017