

Features

- 7" TFT LCD Backlight with Resolution of 800 x 480
- Plastic Housing
- Resistive Touch Screen / Projected Capacitive Touch
- Wide-ranging 9~36V DC Power Input



Specifications

I/O Port

VGA	1
DVI	1
RCA	Option
Touch	1 x USB for Touch Control 1 x RS-232 for Touch Control(option)
OSD Control Membrane	OSD keypad on the rear side
Power	1 x 3-pin TB for DC 9~36V Input

LCD

Display Type	7" color TFT LCD
Max. Resolution	800 x 480
Max. Color	262K
Luminance (cd/m ²)	350
View Angle	140 (H) / 110 (V)
Backlight Lifetime	40,000 hrs
Contrast Ratio	400 : 1

Power

Power Input	9~36V DC
Power consumption	MAX: 5.4W (1070AT) MAX: 3.9W (1070AP)

Touch Screen

Type	Resistive touch window Projected capacitive touch screen (for P model)
Interface	Resistive touch window: USB default/RS-232 option Projected capacitive touch screen: USB
Light Transmission	Resistive touch window: over 80% Projected capacitive touch screen: over 90%

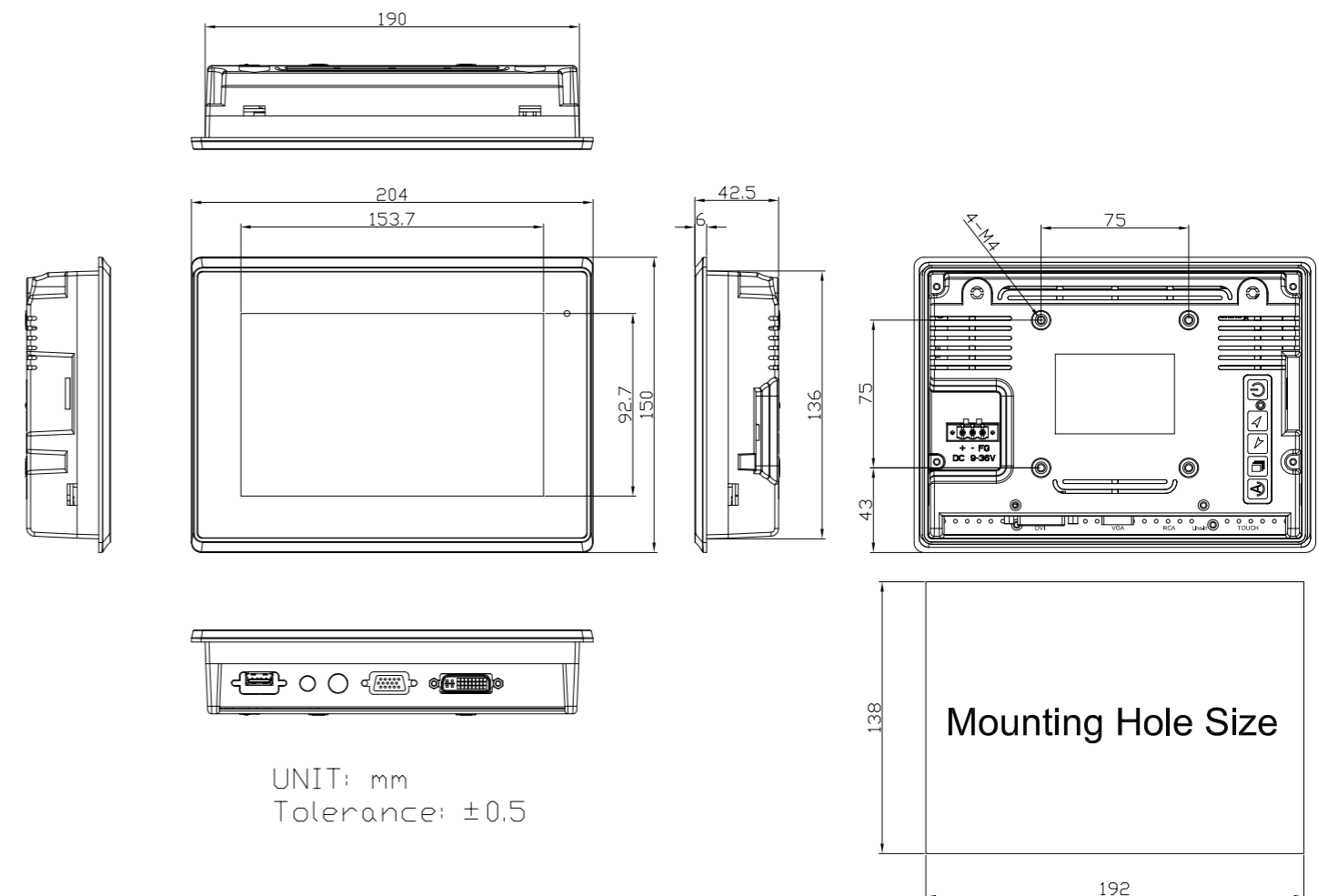
Mechanical

Front Panel	Plastic Housing/Panel Mount
Rear Panel	VESA Mount 75 x 75
Chassis Color	Pantone Cool Gray 11C
IP Rating	Front Panel IP65
Dimensions	204 x 150 x 42.5 mm
Net Weight	0.8 Kg

Environmental

Operating Temperature	0~50 °C
Storage Temperature	-20~60 °C
Storage Humidity	10~90% @40 °C non-condensing
Certificate	CE/FCC Class A

Dimension



Ordering Information

ADP-1070AT-01	7" 800*480 WVGA, Front IP65 Industrial Display with Resistive touch window, VGA/DVI input, 9~36V DC power input only with Adapter, plastic enclosure
ADP-1070AP-01	7" 800*480 WVGA, Front IP65 Industrial Display with Projected Capacitive touch screen, VGA/DVI input, 9~36V DC power input only with Adapter, plastic enclosure