

PROLINE-PC, TYPE 12



INDUSTRY STANDARDS

UL 508A Listed; Type 12; File Number E61997
 cUL Listed per CSA C22.2 No 94; Type 12; File Number E61997

NEMA/EEMAC Type 12
 CSA File Number 42186: Type 12
 VDE IP55
 IEC 60529, IP55

APPLICATION

ProLine-PC Modular Enclosures are ideal for applications that require housing standard PCs and keyboards. A modular system, these enclosures provide multiple configuration possibilities— simply add components to the frame to create a single enclosure, or gang multiple enclosures for larger or more complex applications.

FEATURES

- The frame is enclosed with solid sides, a solid top and a 100-mm solid base.
- Three doors, two in front and one in back, provide convenient access
- The sealed keyboard compartment maintains enclosure integrity when the compartment door is opened
- The 19-in. diagonal top window door, hinged on the left, offers viewing access for a variety of monitor sizes and has a small flush swing handle with keylock for system security
- The vented frame shelf in the top compartment is constructed of 14 gauge steel and is painted with RAL 7035 textured light-gray polyester powder paint
- The ProLine keyboard compartment includes a locking feature, an angled palm rest, a cable access port for wiring and integral mouse pad holders for both left-handed and right-handed people
- The accessory front opening accommodates a number of optional components, such as keyboard shelves and control compartments. See the attached drawing for dimensions and the Accessory Front Options section for available accessories.
- The bottom compartment includes a solid door hinged on the left that has a small flush swing handle with key lock. This compartment can be used to install computer equipment, panel-mounted equipment or rack mounted control systems.

BULLETIN: P20PC

Standard Product

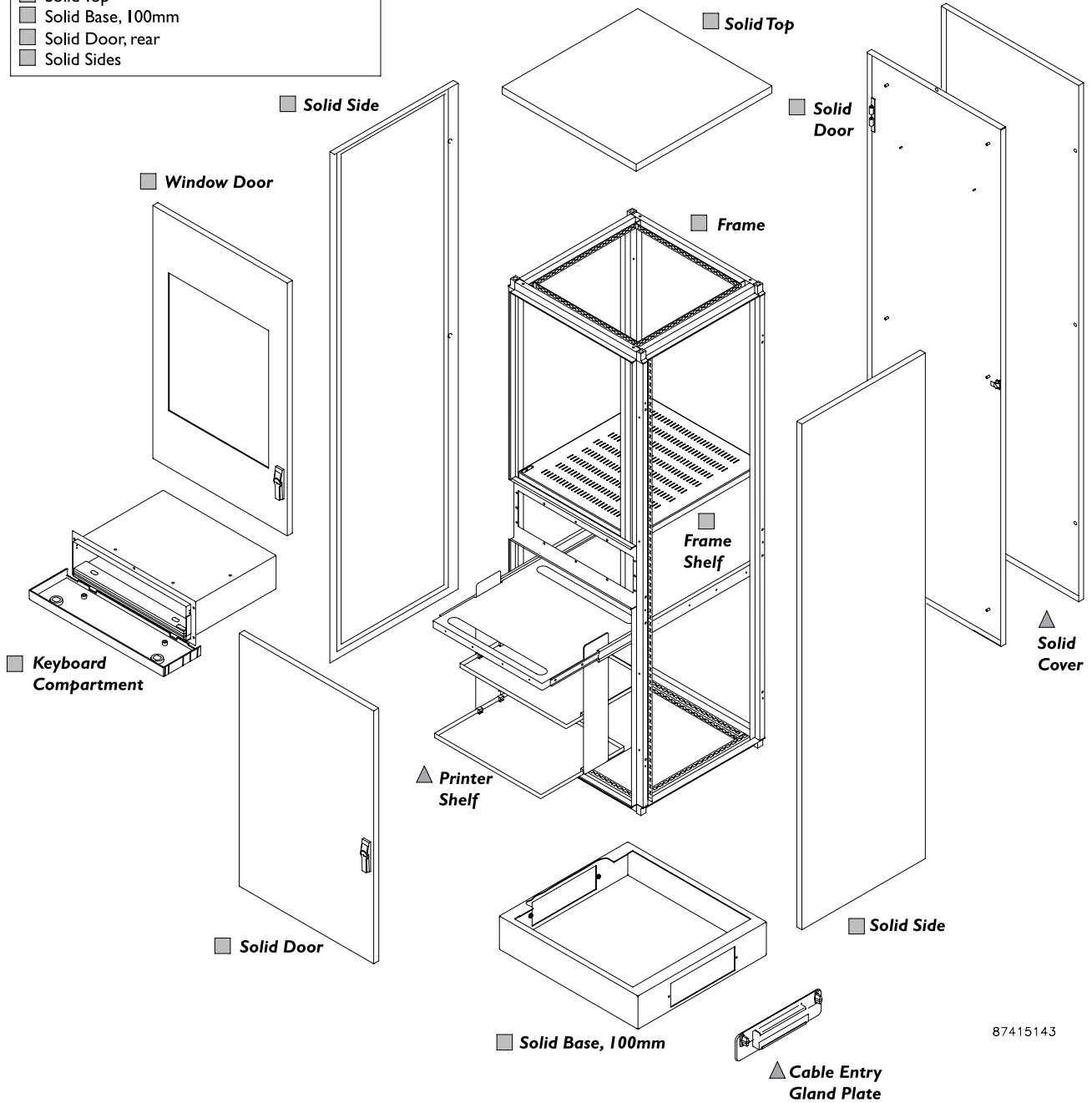
Catalog Number	AxBxC mm/in.	M mm/in.	N mm/in.	P mm/in.	R mm/in.	Top Door Opening, Height mm/in.	Top Door Opening, Width mm/in.	Bottom Door Opening, Height mm/in.	Bottom Door Opening, Width mm/in.
PPC1666	1600 x 600 x 600	343	366	586	1363	558	536	739	536
	62.99 x 23.62 x 23.62	13.50	14.41	23.07	53.66	21.97	21.10	29.09	21.10
PPC1668	1600 x 600 x 800	343	366	586	1363	558	536	739	536
	62.99 x 23.62 x 31.50	13.50	14.41	23.07	53.66	21.97	21.10	29.09	21.10
PPC1686	1600 x 800 x 600	343	566	586	1363	558	736	739	736
	62.99 x 31.50 x 23.62	13.50	22.28	23.07	53.66	21.97	28.98	29.09	28.98
PPC1866	1800 x 600 x 600	343	366	786	1463	758	536	739	536
	70.87 x 23.62 x 23.62	13.50	14.41	30.94	57.60	29.84	21.10	29.09	21.10
PPC1868	1800 x 600 x 800	343	366	786	1563	958	536	739	536
	70.87 x 23.62 x 31.50	13.50	14.41	30.94	61.54	37.72	21.10	29.09	21.10
PPC1886	1800 x 800 x 600	343	566	786	1563	958	536	739	536
	70.87 x 31.50 x 23.62	13.50	22.28	30.94	61.54	37.72	21.10	29.09	21.10
PPC2066	2000 x 600 x 600	343	366	986	1563	958	736	739	736
	78.74 x 23.62 x 23.62	13.50	14.41	38.82	61.54	37.72	28.98	29.09	28.98
PPC2068	2000 x 600 x 800	343	366	986	1563	958	736	739	736
	78.74 x 23.62 x 31.50	13.50	14.41	38.82	61.54	37.72	28.98	29.09	28.98
PPC2086	2000 x 800 x 600	343	566	986	1563	958	736.1	738.9	736.1
	78.74 x 31.50 x 23.62	13.50	22.28	38.82	61.54	37.72	28.98	29.09	28.98
PPC2088	2000 x 800 x 800	343	566	986	1563	958	736.1	738.9	736.1
	78.74 x 31.50 x 31.50	13.50	22.28	38.82	61.54	37.72	28.98	29.09	28.98

100-mm solid base is included in the A dimension.

- Standard Configuration**
- Frame
 - Frame Shelf, top compartment
 - Keyboard Compartment
 - Window Door, top front
 - Solid Door, bottom front
 - Solid Top
 - Solid Base, 100mm
 - Solid Door, rear
 - Solid Sides

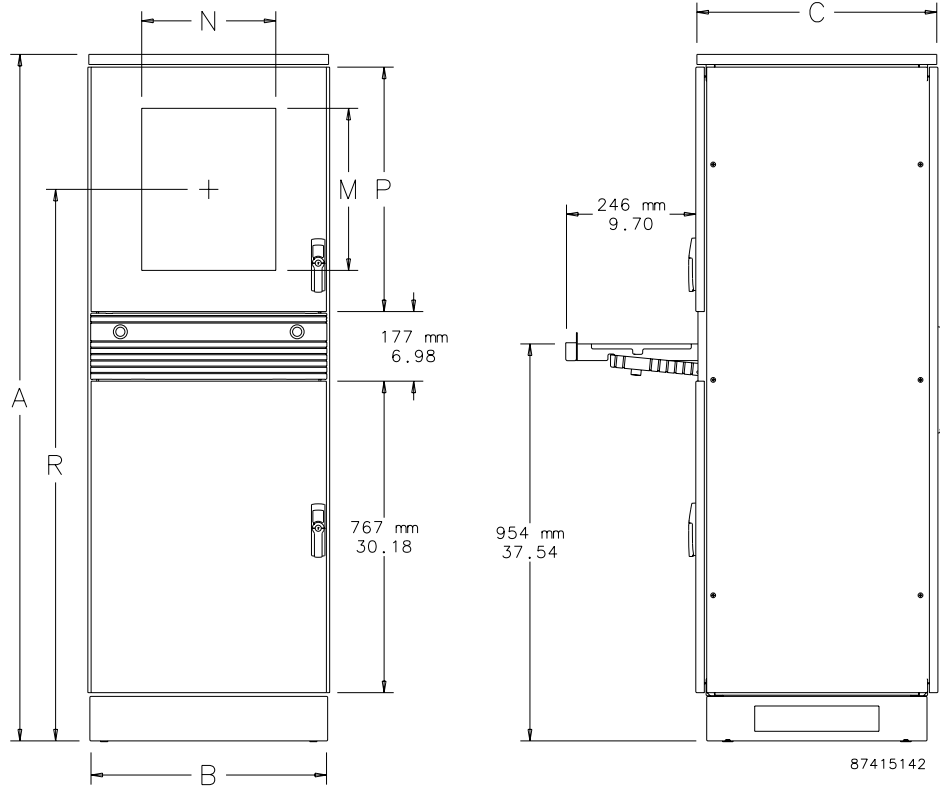
- Optional Components**
- Optional components may be ordered separately.

NOTE:
PFPC_____ frames have three front openings for top, center, and bottom modular components.

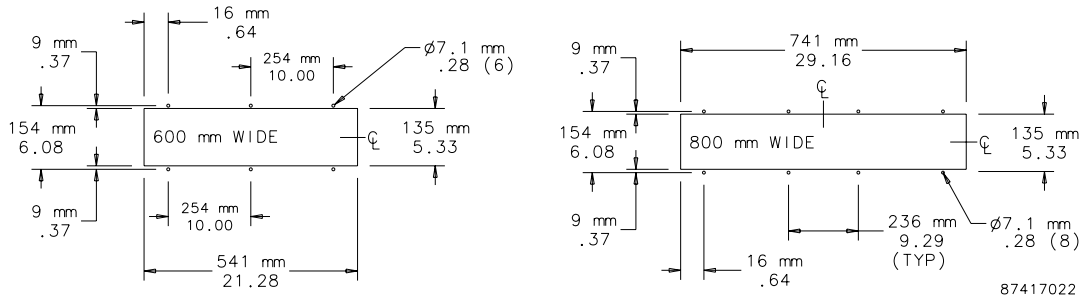


87415143

PROLINE-PC Modular Enclosure



Accessory Front Opening Mounting Cutout



PROLINE-PC FRAMES

ProLine-PC Frames come in a broad range of sizes to accommodate your PC applications.

BULLETIN: P20PC

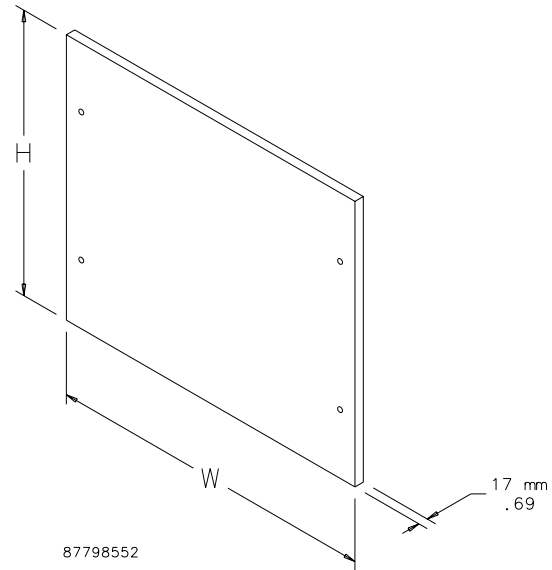
Catalog Number	AxBxC in.	AxBxC mm
PFPC1666	62.99 x 23.62 x 23.62	1600 x 600 x 600
PFPC1668	62.99 x 23.62 x 31.50	1600 x 600 x 800
PFPC1686	62.99 x 31.50 x 23.62	1600 x 800 x 600
PFPC1866	70.87 x 23.62 x 23.62	1800 x 600 x 600
PFPC1868	70.87 x 23.62 x 31.50	1800 x 600 x 800
PFPC1886	70.87 x 31.50 x 23.62	1800 x 800 x 600
PFPC2066	78.74 x 23.62 x 23.62	2000 x 600 x 600
PFPC2068	78.74 x 23.62 x 31.50	2000 x 600 x 800
PFPC2086	78.74 x 31.50 x 23.62	2000 x 800 x 600
PFPC2088	78.74 x 31.50 x 31.50	2000 x 800 x 800

PROLINE-PC COVERS FOR UPPER FRONT

Front Covers for the upper top opening are finished with textured light-gray RAL 7035 powder paint. Covers are secured with four semi-flush cover screws. Seamless foam-in-place gasket assures water-tight and dust-tight seal. Covers include grounding stud. All mounting hardware is furnished.

BULLETIN: P20PC

Catalog Number	Type	Gauge	H mm/in.	W mm/in.	Fits PC Frame
PCST86PC	Steel	16	586 23.07	592 23.31	1600 x 600
PCST96PC	Steel	16	786 30.94	592 23.31	1800 x 600
PCST106PC	Steel	16	986 38.82	592 23.31	2000 x 600
PCST98PC	Steel	14	786 30.94	792 31.18	1800 x 800
PCST108PC	Steel	14	986 38.82	792 31.18	2000 x 800

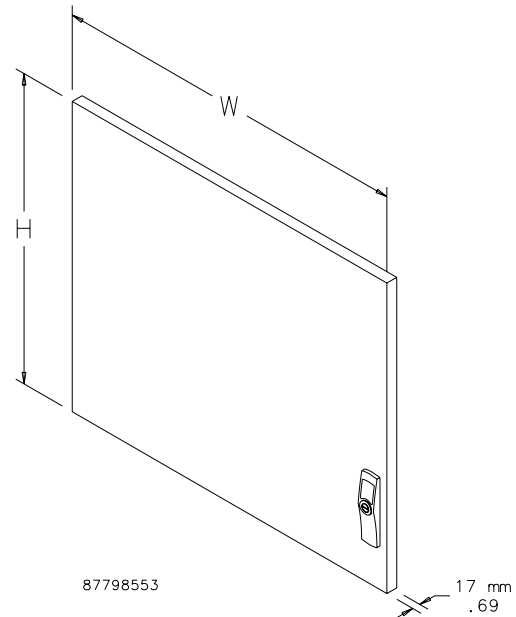


PROLINE-PC DOORS FOR UPPER FRONT

Doors fit on the upper front of the PC frame and are hinged on the left side. A 2-point latch system is operated by a Small Flush Bezel with tool-to-open insert located on the lower right side of the door. Other inserts and a Flush Swing Handle are also available. Doors have foam-in-place gaskets and ground studs. Doors are finished with RAL 7035 textured, light-gray, powder paint.

BULLETIN: P20PC

Catalog Number	Type	Gauge	H mm/in.	W mm/in.	Fits PC Frame
PDST86PC	Steel	16	586 23.07	591 23.27	1600 x 600
PDST96PC	Steel	16	786 30.94	591 23.27	1800 x 600
PDST106PC	Steel	16	986 38.82	591 23.27	2000 x 600
PDST88PC	Steel	14	586 23.07	791 31.14	1600 x 800
PDST98PC	Steel	14	786 30.94	791 31.14	1800 x 800
PDST108PC	Steel	14	986 38.82	791 31.14	2000 x 800

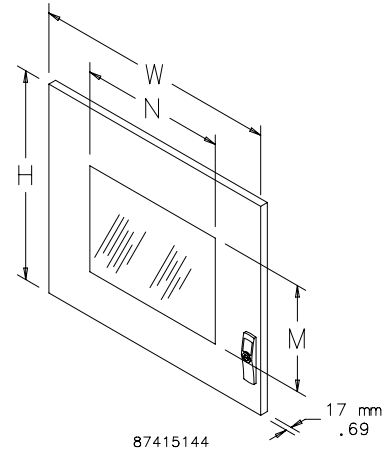


PROLINE-PC WINDOW DOORS FOR UPPER FRONT

Window Doors fit on the upper front of the PC frame and are hinged on the left side. A 2-point latch system is operated by a Small Flush Bezel with tool-to-open insert located on the lower right side of the door. Other inserts and a Flush Swing Handle are also available. Doors have .25-in. thick clear safety glass windows, foam-in-place gaskets for an effective seal and a finish of RAL 7035 textured, light-gray, polyester powder paint.

BULLETIN: P20PC

Catalog Number	Type	Gauge	H mm/in.	W mm/in.	Window Size M x N mm/in.	Fits PC Frame
PDWT86PC	Steel	16	586 23.07	591 23.27	343 x 366 13.50 x 14.41	1600 x 600
PDWT96PC	Steel	16	786 30.94	591 23.27	343 x 366 13.50 x 14.41	1800 x 600
PDWT106PC	Steel	16	986 38.82	591 23.27	343 x 366 13.50 x 14.41	2000 x 600
PDWT98PC	Steel	14	786 30.94	791 31.14	343 x 566 13.50 x 22.28	1800 x 800
PDWT108PC	Steel	14	986 38.82	791 31.14	343 x 566 13.50 x 22.28	2000 x 800



21-in. Monitor Window

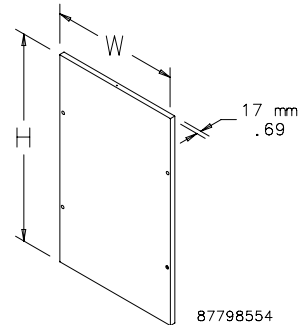
Catalog Number	H mm/in.	W mm/in.	Window Size M x N mm/in.	Fits PC Frame
PDWTL86PC	586 23.07	592 23.31	436 x 451 17.17 x 17.76	1600 x 600
PDWTL96PC	786 30.94	592 23.31	436 x 451 17.17 x 17.76	1800 x 600

PROLINE-PC COVERS FOR LOWER FRONT

Solid 16- or 14-gauge steel construction. Steel cover is finished in RAL 7035 textured, light-gray, polyester powder paint. Seamless foam-in-place gasket assures water-tight and dust-tight seal. Semi-flush cover screws attach cover to frame. A ground stud is provided.

BULLETIN: P20

Catalog Number	Material	Gauge	H mm/in.	W mm/in.	Fits PC Frame
PCS86	Steel	16	767 30.20	592 23.31	600 wide
PCS88	Steel	14	767 30.20	792 31.18	800 wide

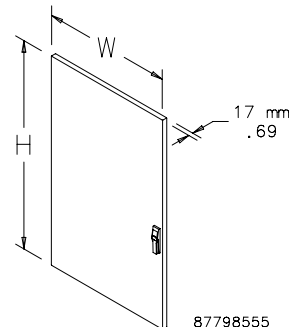


PROLINE-PC DOORS FOR LOWER FRONT

Doors are steel construction with foam-in-place gasket and ground stud. Steel doors are finished in RAL 7035 textured, light-gray, polyester powder paint. Hidden hinges provide 140-degree swing from either left or right side (180-degree hinge is available). Doors have a Small Flush Bezel with tool-to-open insert. Other inserts and a Flush Swing Handle are also available. These doors will accommodate the same accessories listed for Solid Door PDS76R in the ProLine External Components section.

BULLETIN: P20PC

Catalog Number	Material	Gauge	H (mm)	H (in.)	W (mm)	W (in.)	Fits PC Frame
PDS86	Steel	16	767	30.20	591	23.27	600 wide
PDS88	Steel	14	767	30.20	791	31.14	800 wide



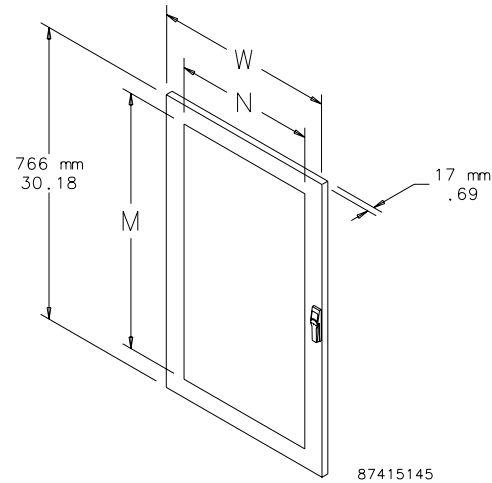
PROLINE-PC WINDOW DOORS FOR LOWER FRONT



Window Doors are aluminum with RAL 7035 textured, light-gray, polyester powder paint finish. Foam-in-place gaskets are provided for door and window seals. Window is .25-in. thick and available in clear safety glass or gray-tint polycarbonate. Doors can be hinged on right or left; 140-degree hidden hinges have retained hinge pins. Doors have a 2-point latch system and a Small Flush Bezel with tool-to-open insert. Other inserts and a Flush Swing Handle are available.

BULLETIN: P20

Catalog Number	Material	Window	Window Size		Fits PC Frame
			H mm/in.	W mm/in.	
PDWG86	Aluminum	Safety Glass	767	593	645 x 446
			30.18	23.35	25.39 x 17.56
PDW86	Aluminum	Polycarbonate	767	593	645 x 446
			30.18	23.35	25.39 x 17.56



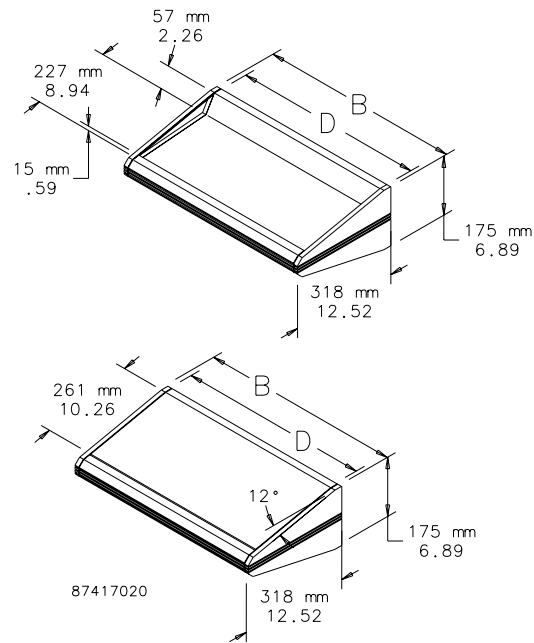
PROLINE-PC KEYBOARD SHELF



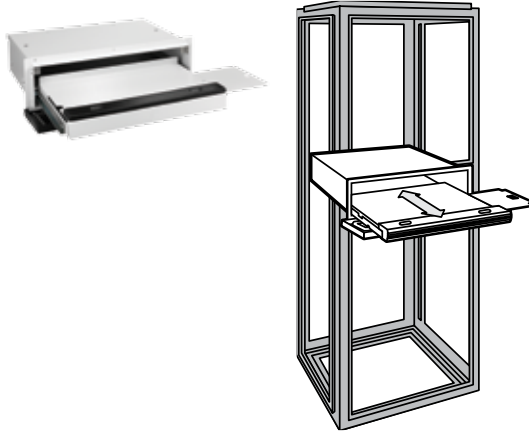
The stylized Keyboard Shelf is reversible, allowing two options for mounting keyboards. A standard keyboard can be placed in the recessed side. The recess is 5-degrees from horizontal and contains a knockout to allow the keyboard cord into the shelf interior. The flush side of the shelf provides a 12-degree mounting surface for membrane-type keyboards. Hole and grommet in rear surface of shelf provide keyboard cable access into the enclosure. Shelf has aluminum die-cast ends and an aluminum extrusion across the front edge to add styling detail and function as a palm rest for ergonomic keyboard orientation. Rear mounting surface is gasketed to maintain the UL and CSA integrity of the enclosure. Shelf is 14-gauge steel and finished with RAL 7035 textured, light-gray, polyester powder paint. Aluminum trim and die-cast sides are finished with RAL 9005 textured, black, polyester powder paint.

BULLETIN: P20PC

Catalog Number	Clear Space D (mm)	Clear Space D (in.)
PKBS6	563	22.17
PKBS8	763	30.04



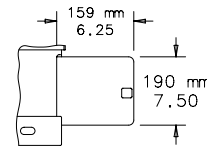
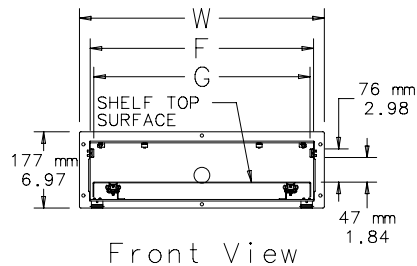
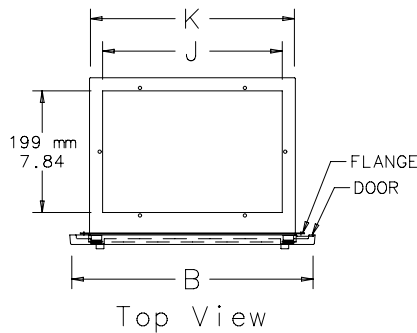
PROLINE-PC KEYBOARD COMPARTMENT



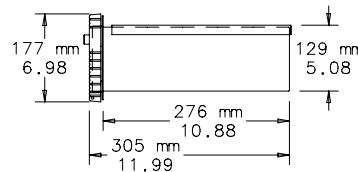
The Keyboard Compartment is a self-contained, sealed module that mounts to an accessory front opening. The lockable die-cast aluminum door is hinged along bottom edge and has pushbutton latches. PC keyboard rests on a ball-bearing glide shelf with a soft palm-rest. For PKBC6R, tray for mouse slides out from under the shelf. Seamless foam-in-place gasket on door assures a dust-tight seal. Door locks in position under extended shelf to secure shelf in open position. Hole and grommet in rear of compartment provide keyboard cable access into enclosure. Compartment is finished with RAL 7035 textured, light-gray, polyester powder paint. Door is finished with RAL 9005 textured, black, polyester powder paint.

BULLETIN: P20

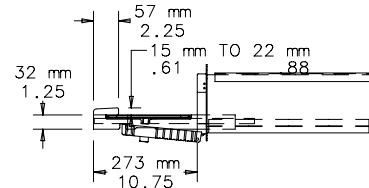
Catalog Number	F mm/in.	G mm/in.	J mm/in.	K mm/in.	M mm/in.	W mm/in.
PKBC6R	519 20.43	478 18.83	439 17.29	520 20.49	525 20.68	575 22.62
PKBC8R	722 28.42	678 26.70	639 25.16	720 28.36	725 28.55	774 30.49



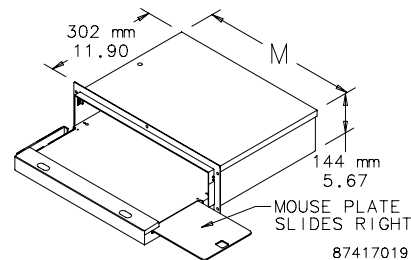
Detail Mouse Tray



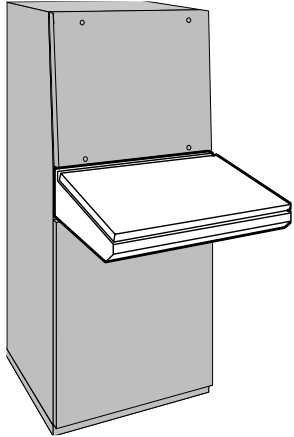
Side View Compartment Closed



Side View Compartment Open



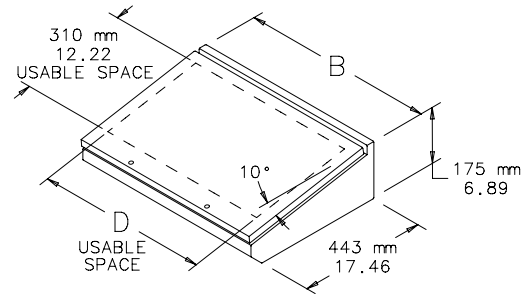
PROLINE-PC CONSOLE COMPARTMENT



Provides sealed compartment for keyboard storage or protection for controls. Hinged door allows easy access to compartment. Door support holds door open at 90 degrees. Two quarter-turn integral latches are incorporated into the front edge of steel compartment doors. Foam-in-place gasket on door and gasket around open rear surface extend the UL and CSA rating to the console compartment interior. Compartment is 14-gauge steel finished with RAL 7035 textured, light-gray, polyester powder paint. Ground studs and mounting hardware included. The Flush Keylock (PSTLO) is available as an accessory.

BULLETIN: P20

Catalog Number	Material	Clear Space D mm/in.	Fits Frame Width
PCC6	Steel	525 20.66	600 mm
PCC8	Steel	725 28.54	800 mm



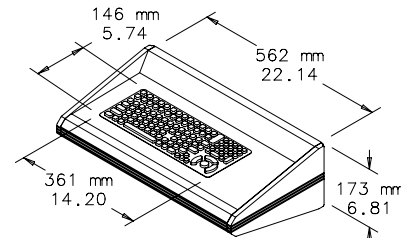
87417021

PROLINE-PC INTEGRATED KEYBOARD/MOUSE SHELVES

An elastomer keyboard/mouse combination is integrated into the keyboard shelf. The keyboard has 101 keys and the cables supplied are compatible with USB connections. The keyboard shelf is made of 14-gauge steel with RAL 7035 textured, light-gray, polyester powder paint. Rear surface is gasketed to maintain both UL and CSA integrity of the enclosure.

BULLETIN: P20

Catalog Number	Material	Description
PEKBM6	Steel	Keyboard shelf with integrated keyboard and mouse



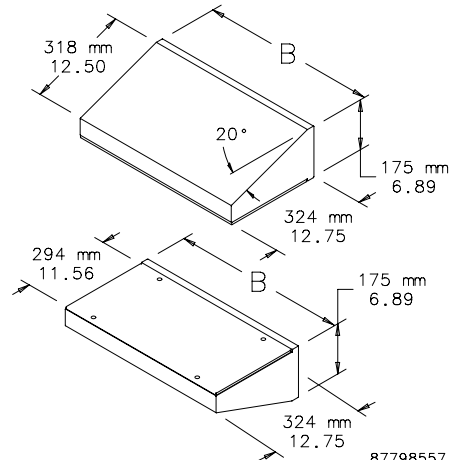
87798556

PROLINE-PC 20-DEGREE CONTROL COMPARTMENT

Reversible design provides 20-degree angled surface for mounting operator controls. Smaller angle maximizes mounting space available. The keyboard shelf is made of 14-gauge steel with RAL 7035 textured, light-gray, polyester powder paint. Screw cover on the flat side allows easy access inside compartment. Screw cover has foam-in-place gasketing. Compartment is gasketed around the open rear surface to extend the UL and CSA rating to the control compartment interior. Ground stud and mounting hardware included.

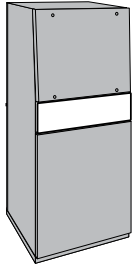
BULLETIN: P20

Catalog Number	Fits Frame Width
PC20A6	600 mm
PC20A8	800 mm



87798557

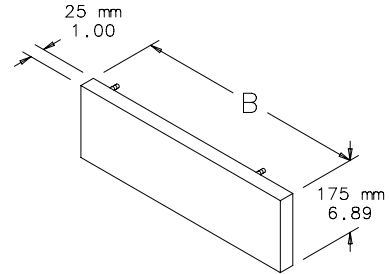
PROLINE-PC ACCESS COVER



Provides a solid, flat cover or additional mounting surface for front accessory opening. Cover is gasketed to maintain enclosure integrity. Covers are finished with RAL 7035 textured, light-gray, polyester powder paint. Hardware included.

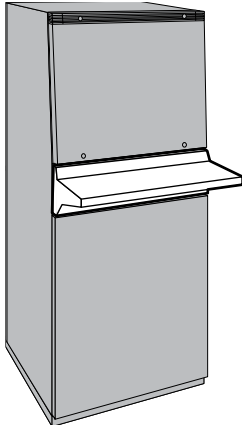
BULLETIN: P20PC

Catalog Number	Material	B mm/in.
PCS6	Steel	592 23.30
PCS8	Steel	792 31.17



87798562

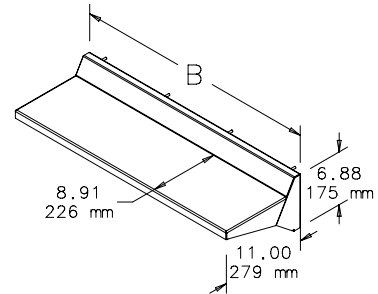
PROLINE-PC WRITING DESK



Provides a horizontal writing surface. Constructed of 14-gauge steel with RAL 7035 textured, light-gray, polyester powder paint finish. Rear surface is closed and gasketed to maintain both the UL and CSA integrity of the enclosure.

BULLETIN: P20PC

Catalog Number	Description	B mm/in.
PWD6	Writing Desk	592 23.30
PWD8	Writing Desk	792 31.17



C2699-C

Notes