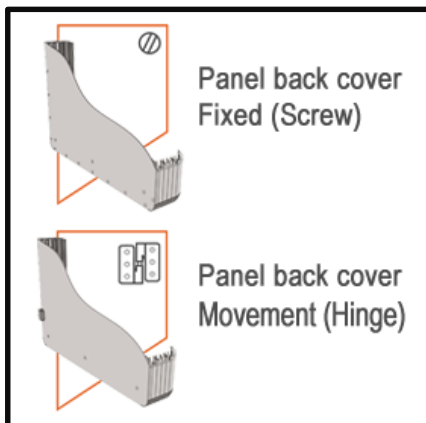




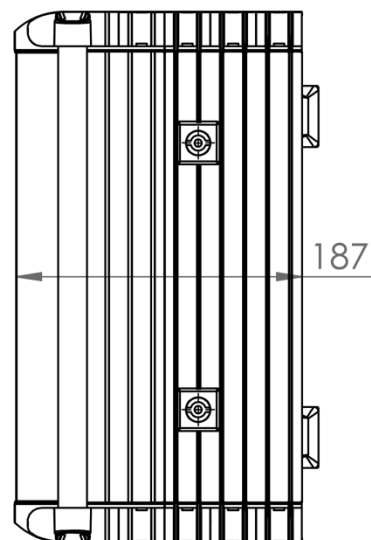
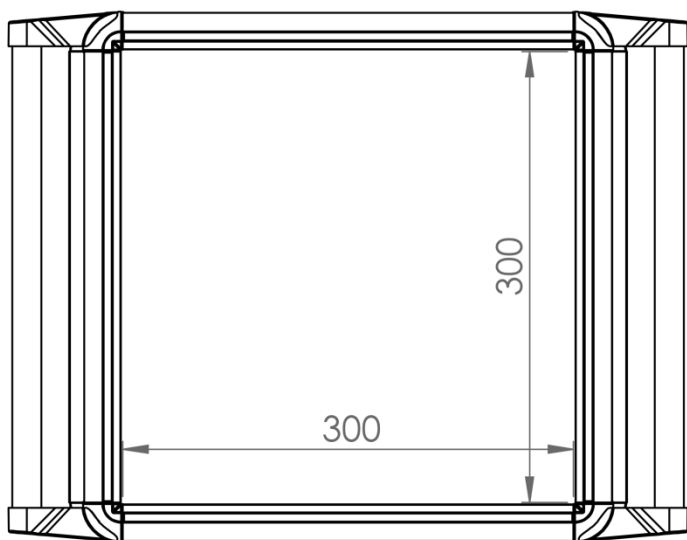
ISO9001 CE c UL US LISTED


ECO.9091.0200

Panel Systems



Weight (gr)	-
Color / Ral Code	Aluminium Anodized
Package	1
Package Dimension (mm)	430x380x200
Material	Aluminium



Installation Area			Back Area		Intallation Depth		Support Arm No. TK		Order No
Weight mm	Height mm	Depth mm	Hinge	Screw	H Profile installation platform	Installation Deep mm	130 mm ϕ	118 x 65.5 mm 	
300	300	180	Yes	-	Yes	157	-	Yes	9091-0004
300	300	180	-	Yes	-	180	-	Yes	9091-0005
300	400	180	Yes	-	Yes	157	-	Yes	9091-0006
300	400	180	-	Yes	-	180	-	Yes	9091-0007
400	400	180	Yes	-	Yes	157	-	Yes	9091-0008
400	400	180	-	Yes	-	180	-	Yes	9091-0009
400	500	180	Yes	-	Yes	157	-	Yes	9091-0010
400	500	180	-	Yes	-	180	-	Yes	9091-0011
500	500	180	Evet	-	Yes	157	-	Yes	9091-0012
500	500	180	-	Yes	-	180	-	Yes	9091-0013
500	600	180	Yes	-	Yes	157	-	Yes	9091-0014
500	600	180	-	Yes	-	180	-	Yes	9091-0015
600	600	180	Yes	-	Yes	157	-	Yes	9091-0016
600	600	180	-	Yes	-	180	-	Yes	9091-0017