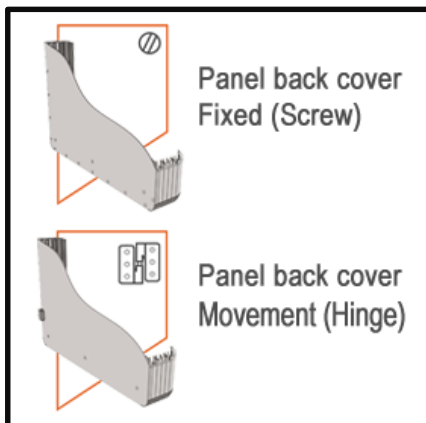




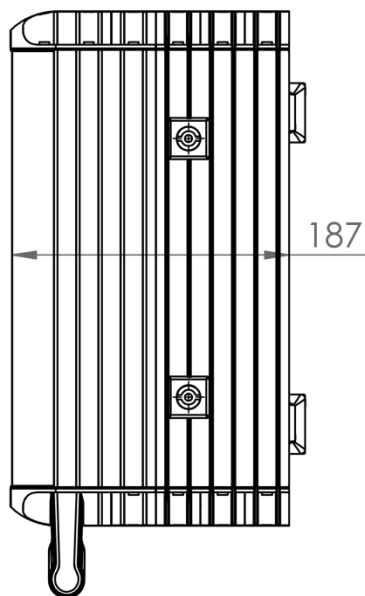
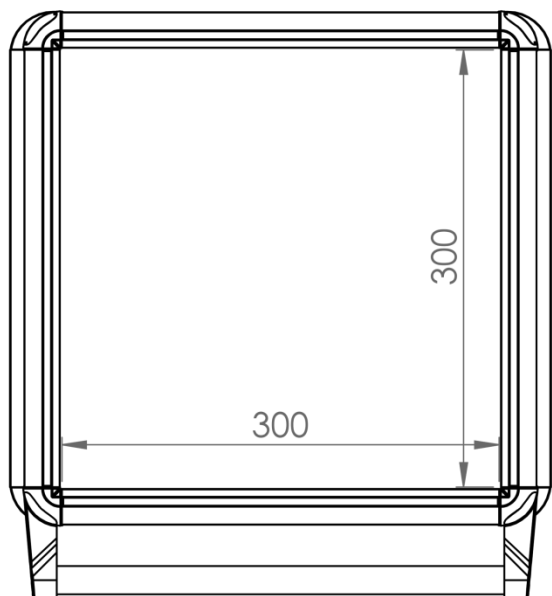
ISO9001 CE cUL US LISTED


# ECO.9091.0000

## Panel Systems



Weight (gr)	-
Color / Ral Code	Aluminium Anodized
Package	1
Package Dimension (mm)	430x380x200
Material	Aluminium



Installation Area			Back Area		Intallation Depth		Support Arm No. TK		Order No
Weight mm	Height mm	Depth mm	Hinge	Screw	H Profile installation platform	Installation Deep mm	130 mm $\phi$	118 x 65.5 mm 	
300	300	180	Yes	-	Yes	157	-	Yes	9091-0104
300	300	180	-	Yes	-	180	-	Yes	9091-0105
300	400	180	Yes	-	Yes	157	-	Yes	9091-0106
300	400	180	-	Yes	-	180	-	Yes	9091-0107
400	400	180	Yes	-	Yes	157	-	Yes	9091-0108
400	400	180	-	Yes	-	180	-	Yes	9091-0109
400	500	180	Yes	-	Yes	157	-	Yes	9091-0110
400	500	180	-	Yes	-	180	-	Yes	9091-0111
500	500	180	Yes	-	Yes	157	-	Yes	9091-0112
500	500	180	-	Yes	-	180	-	Yes	9091-0113
500	600	180	Yes	-	Yes	157	-	Yes	9091-0114
500	600	180	-	Yes	-	180	-	Yes	9091-0115
600	600	180	Yes	-	Yes	157	-	Yes	9091-0116
600	600	180	-	Yes	-	180	-	Yes	9091-0117