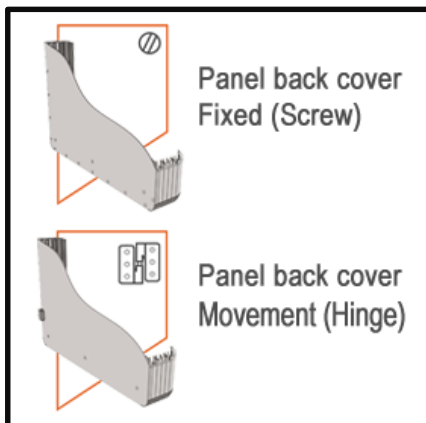




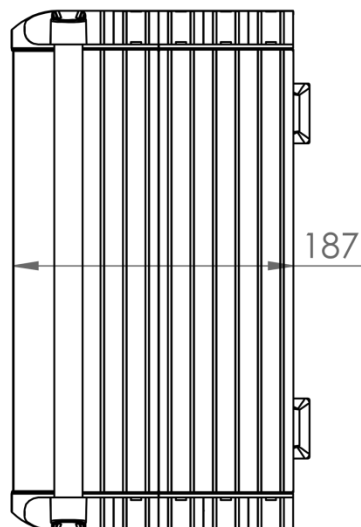
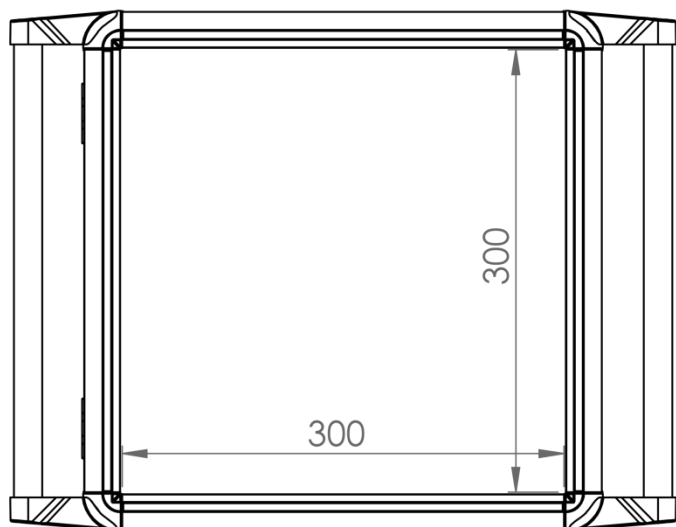
ISO9001 CE cUL US LISTED


ECO.9090.0200

Panel Systems



Weight (gr)	-
Color / Ral Code	Aluminium Anodized
Package	1
Package Dimension (mm)	430x380x200
Material	Aluminium



Installation Area			Back Area		Intallation Depth		Support Arm No. TK		Order No
Weight mm	Height mm	Depth mm	Hinge	Screw	H Profile installation platform	Installation Deep mm	130 mm \varnothing	118 x 65.5 mm 	
300	300	180	Yes	-	Yes	157	-	Yes	9090-0204
300	300	180	-	Yes	-	180	-	Yes	9090-0205
300	400	180	Yes	-	Yes	157	-	Yes	9090-0206
300	400	180	-	Yes	-	180	-	Yes	9090-0207
400	400	180	Yes	-	Yes	157	-	Yes	9090-0208
400	400	180	-	Yes	-	180	-	Yes	9090-0209
400	500	180	Yes	-	Yes	157	-	Yes	9090-0210
400	500	180	-	Yes	-	180	-	Yes	9090-0211
500	500	180	Yes	-	Yes	157	-	Yes	9090-0212
500	500	180	-	Yes	-	180	-	Yes	9090-0213
500	600	180	Yes	-	Yes	157	-	Yes	9090-0214
500	600	180	-	Yes	-	180	-	Yes	9090-0215
600	600	180	Yes	-	Yes	157	-	Yes	9090-0216
600	600	180	-	Yes	-	180	-	Yes	9090-0217