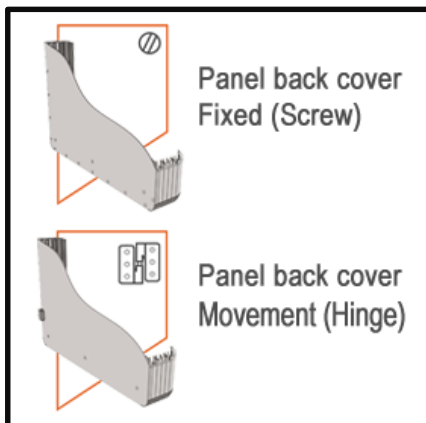




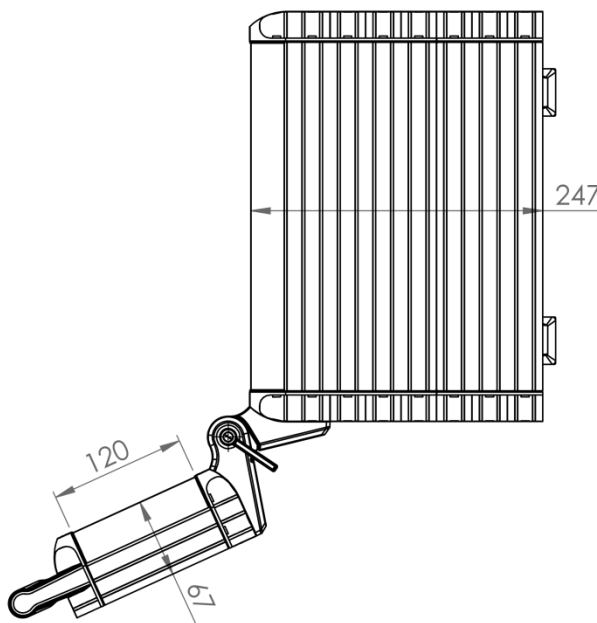
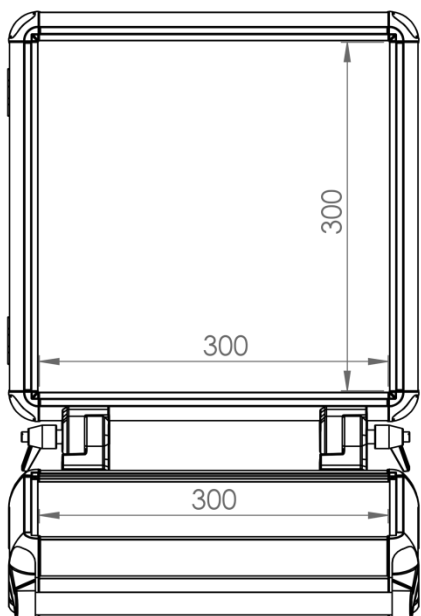
ISO9001  

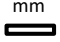
ECO.1590.1200

Panel Systems



Weight (gr)	-
Color / Ral Code	Aluminium Anodized
Package	1
Package Dimension (mm)	440x380x260
Material	Aluminium



Installation Area			Back Area		Installation Depth		Keyboard			Support Arm No. TK		Order No
Weight mm	Height mm	Depth mm	Hinge	Screw	H Profile installation platform	Installation Deep mm	Weight mm	Height mm	Depth mm	130 mm \varnothing	118 x 65.5 mm 	
300	300	240	Yes	-	Yes	217	300	300	120	Yes	-	1590-1204
300	300	240	-	Yes	-	240	300	300	120	Yes	-	1590-1205
300	400	240	Yes	-	Yes	217	300	300	120	Yes	-	1590-1206
300	400	240	-	Yes	-	240	300	300	120	Yes	-	1590-1207
400	400	240	Yes	-	Yes	217	400	300	120	Yes	-	1590-1208
400	400	240	-	Yes	-	240	400	300	120	Yes	-	1590-1209
400	500	240	Yes	-	Yes	217	400	300	120	Yes	-	1590-1210
400	500	240	-	Yes	-	240	400	300	120	Yes	-	1590-1211
500	500	240	Yes	-	Yes	217	500	400	120	Yes	-	1590-1212
500	500	240	-	Yes	-	240	500	400	120	Yes	-	1590-1213
500	600	240	Yes	-	Yes	217	500	400	120	Yes	-	1590-1214
500	600	240	-	Yes	-	240	500	400	120	Yes	-	1590-1215
600	600	240	Yes	-	Yes	217	600	400	120	Yes	-	1590-1216
600	600	240	-	Yes	-	240	600	400	120	Yes	-	1590-1217