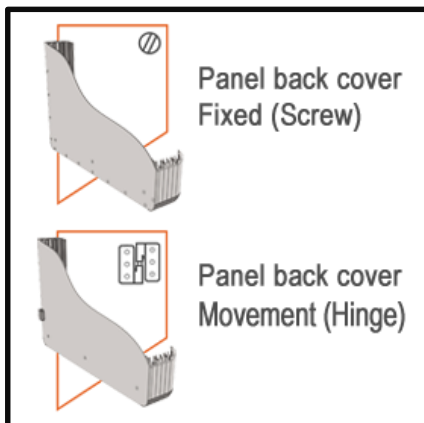




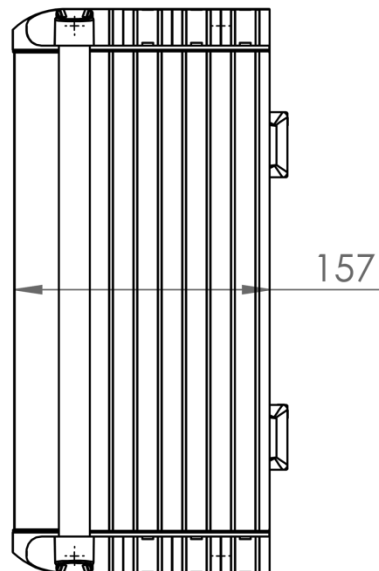
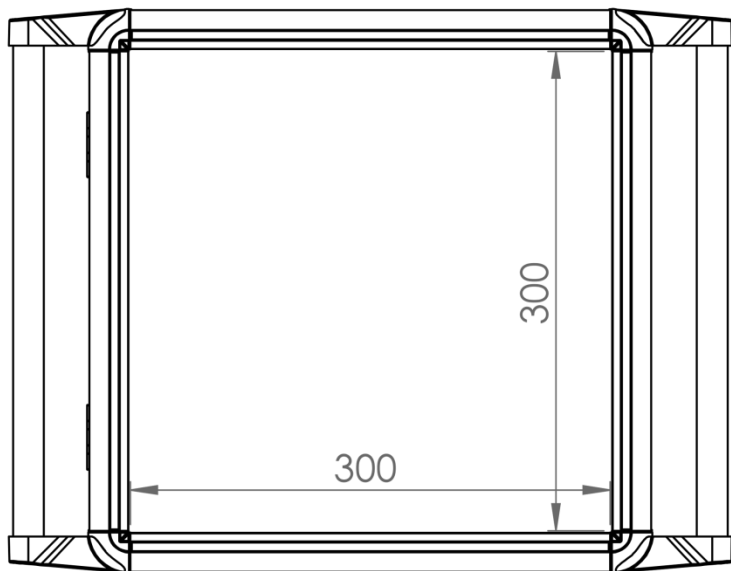
ISO9001  

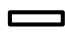
ECO.1500.0200

Panel Systems



Weight (gr)	-
Color / Ral Code	Aluminium Anodized
Package	1
Package Dimension (mm)	440x380x200
Material	Aluminium



Installation Area			Back Area		Installation Depth		Support Arm No. TK		Order No
Weight mm	Height mm	Depth mm	Hinge	Screw	H Profile installation platform	Installation Deep mm	130 mm \varnothing	118 x 65.5 mm 	
300	300	150	Yes	-	Yes	127	Yes	-	1500-0204
300	300	150	-	Yes	-	150	Yes	-	1500-0205
300	400	150	Yes	-	Yes	127	Yes	-	1500-0206
300	400	150	-	Yes	-	150	Yes	-	1500-0207
400	400	150	Yes	-	Yes	127	Yes	-	1500-0208
400	400	150	-	Yes	-	150	Yes	-	1500-0209
400	500	150	Yes	-	Yes	127	Yes	-	1500-0210
400	500	150	-	Yes	-	150	Yes	-	1500-0211
500	500	150	Yes	-	Yes	127	Yes	-	1500-0212
500	500	150	-	Yes	-	150	Yes	-	1500-0213
500	600	150	Yes	-	Yes	127	Yes	-	1500-0214
500	600	150	-	Yes	-	150	Yes	-	1500-0215
600	600	150	Yes	-	Yes	127	Yes	-	1500-0216
600	600	150	-	Yes	-	150	Yes	-	1500-0217