



IMC-B111ETB-RJ45

Industrial mini type extended media converter with 1x100Base-TX to 1xEthernet extender, RJ45 socket

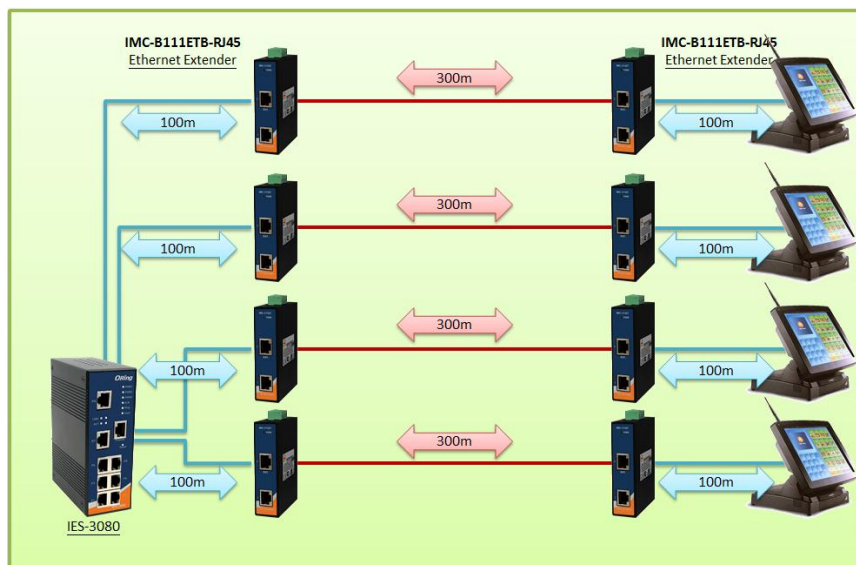
Features

- Extend Ethernet distance up to 300m (984 feet) over UTP cable or up to 200m (656 feet) over 24AWG none-UTP cable
- Support 2/4/8-wired auto detecting transmission
- Provided DIP-Switch to selecting Auto/Manual mode for Master/Slave setting
- Supports Auto mode to auto-negotiation for master/slave mode switching
- Ethernet port support full/half duplex operation
- Ethernet port support Auto MDI/MDI-X switching function
- Redundant 12~48VDC power inputs with Terminal Block
- Rigid IP-30 mini-type housing design
- DIN-Rail and wall mounting enabled



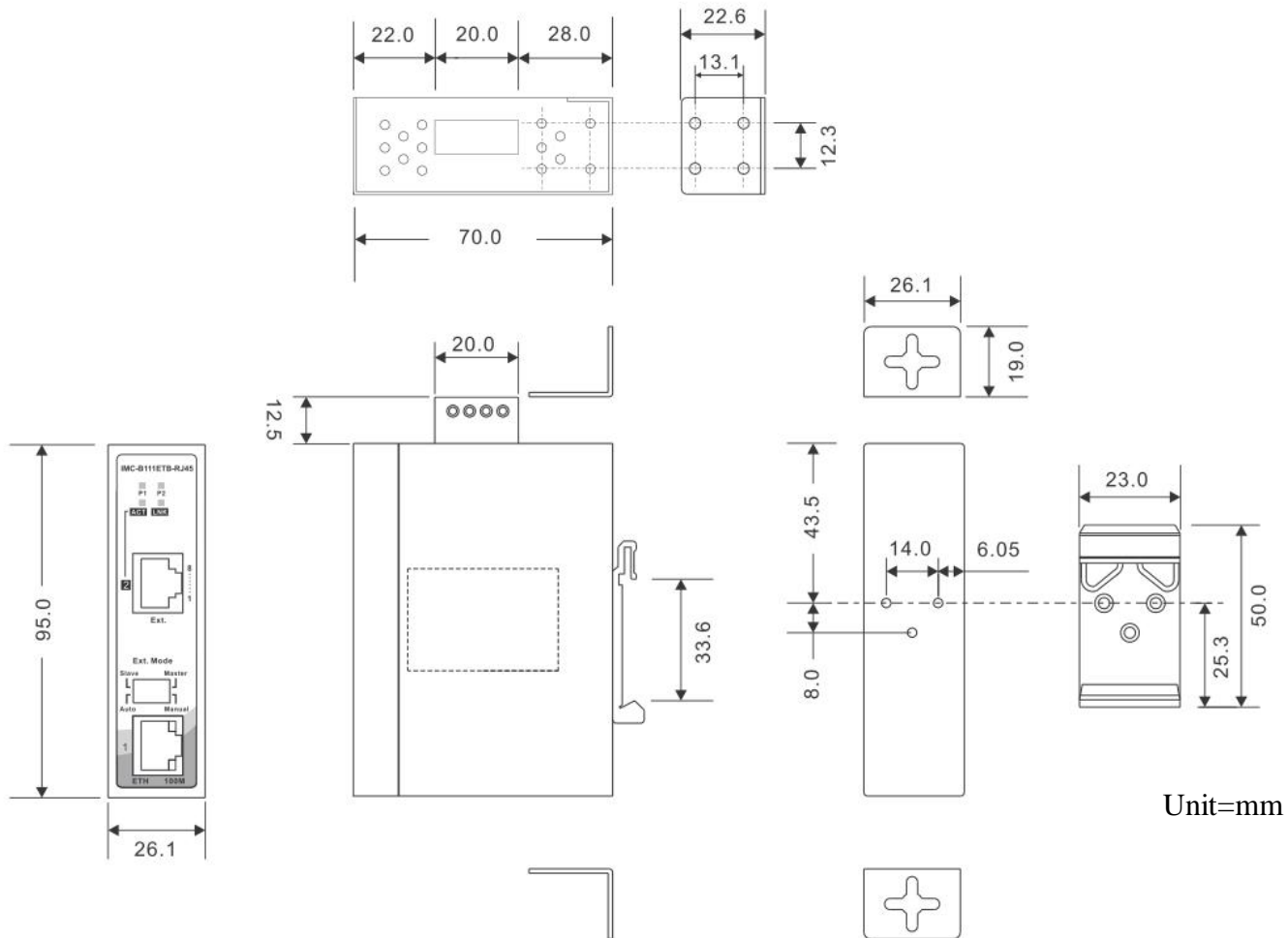
Introduction

IMC-B111ETB-RJ45 is a cost-effective solution for extending an Ethernet connection beyond its inherent distance limitation. IMC-B111ETB-RJ45 can extend the distance to 300 meters using a UTP cable or 200meters using a 24AWG cable. IMC-B111ETB-RJ45 supports 2/4/8-wired auto detecting transmission. IMC-B111ETB-RJ45 provides a wide operating temperature range from -40~75°C, making it suitable for harsh operating environments.



Connections of Media Converter

Dimension



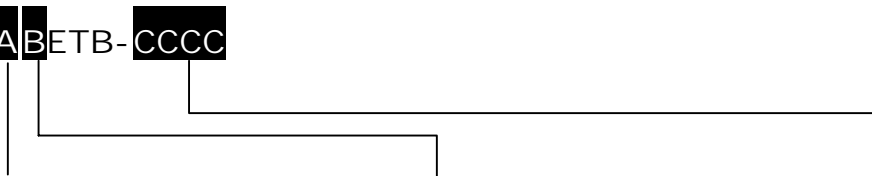
Specifications

ORing Extended Converter Model	IMC-B111ETB-RJ45
Physical Ports	
100Base-TX Port in RJ45 Auto MDI/MDIX	1
100Mbps Ethernet Extender Ports in RJ45	1 (support 2/4/8-wired auto detecting)
Technology	
Ethernet Standards	IEEE 802.3u for 100Base-TX
Processing	Store-and-Forward
LED Indicators	
Power Indicator	Green : Power LED x 2
100Base-T(X) RJ45 Port Indicator	Green LED for Link indicator. Amber LED for Ack indicator
Ethernet Extender Indicator	Green LED for Link indicator. Amber LED for Ack indicator.
DIP-Switch	
DIP-Switch Setting	DIP-switch 1 for master/slave mode select : (On) Master mode, (Off) slave mode DIP-switch 2 for Auto/Manual mode select : (On) Manual mode ~ Extender need to manual setting master mode or slave mode follow the DIP-switch 1 setting (Off) Auto mode ~ Extender will be auto negotiation and auto setting master or slave mode

Power	
Input power	Dual 12 – 48VDC power inputs.
Power consumption (Typ.)	2 Watts
Overload current protection	Present
Physical Characteristic	
Enclosure	IP-30
Dimension (W x D x H)	26.1 (W) x 70 (D) x 95 (H)mm (1.03 x 2.76 x 3.74 inch)
Weight (g)	242 g
Environmental	
Storage Temperature	-40 to 85°C (-40 to 185°F)
Operating Temperature	-40 to 75°C (-40 to 167°F)
Operating Humidity	5% to 95% Non-condensing
Regulatory Approvals	
EMI	FCC Part 15, CISPR (EN55022) class A
EMS	EN61000-4-2 (ESD), EN61000-4-3 (RS), EN61000-4-4 (EFT), EN61000-4-5 (Surge), EN61000-4-6 (CS), EN61000-4-8, EN61000-4-11
Shock	IEC60068-2-27
Free Fall	IEC60068-2-32
Vibration	IEC60068-2-6
Safety	EN60950-1
Warranty	5 years

Ordering Information

IMC-B1 **A** **B** ETB- **C** **C** **C** **C**



Code Definition	100Base-T(X) Port Number	Ethernet Extender Port Number	Ethernet Extender Port Type
Option	- 1: 1 port	- 1: 1 port	- RJ45 : RJ45 Interface
Available Model	Model Name	Description	
	IMC-B111ETB-RJ45	Industrial mini type extended media converter with 1x100Base-TX to 1xEthernet extender, RJ45 connector	

Packing List

- IMC-B111ETB-RJ45 x 1
- Quick Installation Guide x 1
- DIN-Rail Kit x 1
- Wall-mount Kit x 1

Optional Accessories

- DR-45 series : 45 Watts DIN-Rail power supply
- DR-75 series : 75 Watts DIN-Rail power supply
- DR-120 series : 120 Watts DIN-Rail power supply