



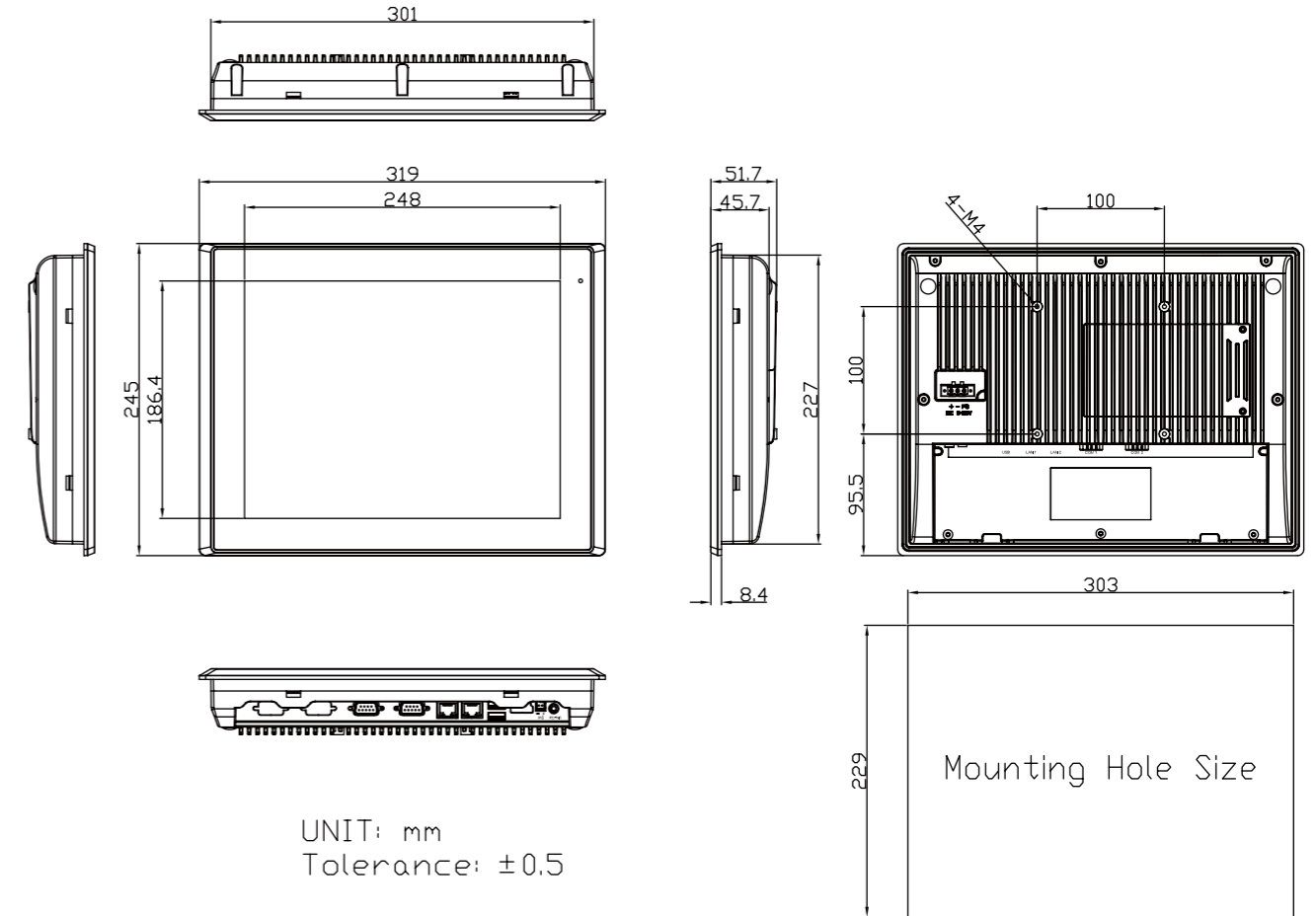
### Features

- 12.1" Industrial Compact Size Panel PC
- 6th Gen. Intel Core i3/i5, CPU built-in
- 1 x 260-pin SO-DIMM DDR4 up to 16GB 2133MHz
- Flat Front Panel Touch Screen
- Fanless Design
- DC 9~36V Wide-Ranging Power Input
- Optional Projected Capacitive Touch Screen Support 7H Anti-Scratch Surface
- High Brightness 1,000 nits for option

### Specifications

System				
CPU	Onboard 6th Gen Intel Core i3-6100U Processor (3M Cache,2.30 GHz) / Intel Core i5-6300U Processor (3M Cache,2.30 GHz)			
System Chipset	SoC			
Memory	1 x 260-pin SO-DIMM DDR4 up to 16GB 2133MHz			
TPM	TPM 2.0			
I/O Port				
USB	2 x USB 3.0 type A			
Serial / Parallel	1 x RS-232/422/485 DB9 (COM1), default RS-232 1 x RS-232 DB9 (COM2)			
Audio	1 x Audio Line Out			
LAN	2 x GbE LAN RJ-45			
Power	1 x 3-pin Terminal Block Connector 1 x 2-pin Power Switch Connector			
Option	VESA Stand 4G LTE/WiFi/ BT 4 x USB 2.0 type A (TB-528U4) 4 x USB 2.0 type A + 1 x Mini-PCle + 1 x SIM slot (TB-528U4ME1) 2 x COM (RS-232) (TB-528C2) 1 x COM (RS-232) + 2 x USB 2.0 (TB-528C1U2) 1 x COM (RS-232) + 2 x USB 2.0 + 1 x Power Button (TB-528C1U2P1) 2 x COM (RS-232) + 1 x Mini-PCle slot + 1 x SIM slot (TB-528C2ME1) 2 x COM (RS-422/485, isolated) (TB-528C2I) 2 x CAN (TB-528CAN2) 1 x LAN + 2 x USB 2.0 type A (TB-528E1U2) 1 x LAN(45W isolated PoE PD) + 2 x USB 2.0 type A (TB528E1U2UPOE)* Backup Battery 21Wh/10.8V/1.95Ah(3S1P) System is only allowed to build in either I/O board TB-528 series or backup battery			
Storage Space				
HDD	1 x 2.5" SATA3 HDD space			
Expansion				
Onboard expansion bus	1 x Mini-PCle slot (full size)			
Display				
	Standard	High Brightness Optional		
Display Type	12.1" TFT-LCD	12.1" TFT-LCD		
	default	optional	default	optional
Max. Resolution	800 x 600	1024 x 768	800 x 600	1024 x 768
Max. Color	16.7M	16.2M	16.7M	16.2M
Luminance (cd/m <sup>2</sup> )	450	500	1000	1000
View Angle	176(H)/176(V)	178(H)/178(V)	176(H)/176(V)	178(H)/178(V)
Contrast	1000:1	1000:1	1000:1	1000:1
Backlight Lifetime	50,000 hrs	30,000 hrs	50,000 hrs	70,000 hrs
Touch Screen				
Type	Resistive Touch (for AR Model) Projected Capacitive Touch (for AP Model)			
Interface	USB			
Light Transmission(%)	Resistive Touch: 80% / Projected Capacitive Touch: 90%			

### Dimensions



Power	
Power Input	DC 9~36V
Power Consumption	ARCHMI-912AR: 47W (MAX)
Mechanical	
Construction	Aluminum Die-casting Chassis
Mounting	Panel Mount, VESA 100 x 100
Dimensions (WxHxD)	319 x 245 x 51.7 mm
IP Rating	IP66 Compliant Front Bezel
Net Weight	2.8 kg
Environmental	
Operating Temperature	0~50°C / -20~60°C (option)
Storage Temperature	-30~70°C
Humidity	10 to 90%@ 40°C, non-condensing
Certificate	CE / FCC, Class A / UL
Operating System Support	
Windows 10 IoT	
Ordering Information	
ARCHMI-912AR	12.1" SVGA fanless HMI barebone with Intel 6th Gen. Core i3-6100 CPU, 1 x SO-DIMM(260pins), Up to 16GB DDR4 2133MHz, Resistive touch screen, 9~36VDC input with adapter, Aluminum chassis
ARCHMI-912AP	12.1" SVGA fanless HMI barebone with Intel 6th Gen Core i3-6100 CPU, 1 x SO-DIMM(260pins), Up to 16GB DDR4 2133MHz, Projected Capacitive touch screen, 9~36VDC input with adapter, Aluminum chassis

\*PoE limitation: CPU turbo off, rear I/O no loading, 70% LED backlight, PSE cable length < 50m