

### Features

- 12.1" Industrial Compact Size Panel PC
- Intel 4th Gen. Core i3 CPU built-in/ i5(option)
- Onboard 4GB DDR3L 1600MHz/ 8GB(option)
- Flat Front Panel Touch Screen and Fanless Design
- DC 9~36V Wide Range Power Input
- IP66 Compliant Front Panel
- Optional Projected Capacitive Touch Screen Support 7H Anti-Scratch Surface

### Specifications

System	
CPU	Onboard Intel 4th Gen. Core i3 CPU Processors / i5(option)
System Chipset	SoC
Memory	Onboard 4GB DDR3L 1600MHz/ 8GB(option)

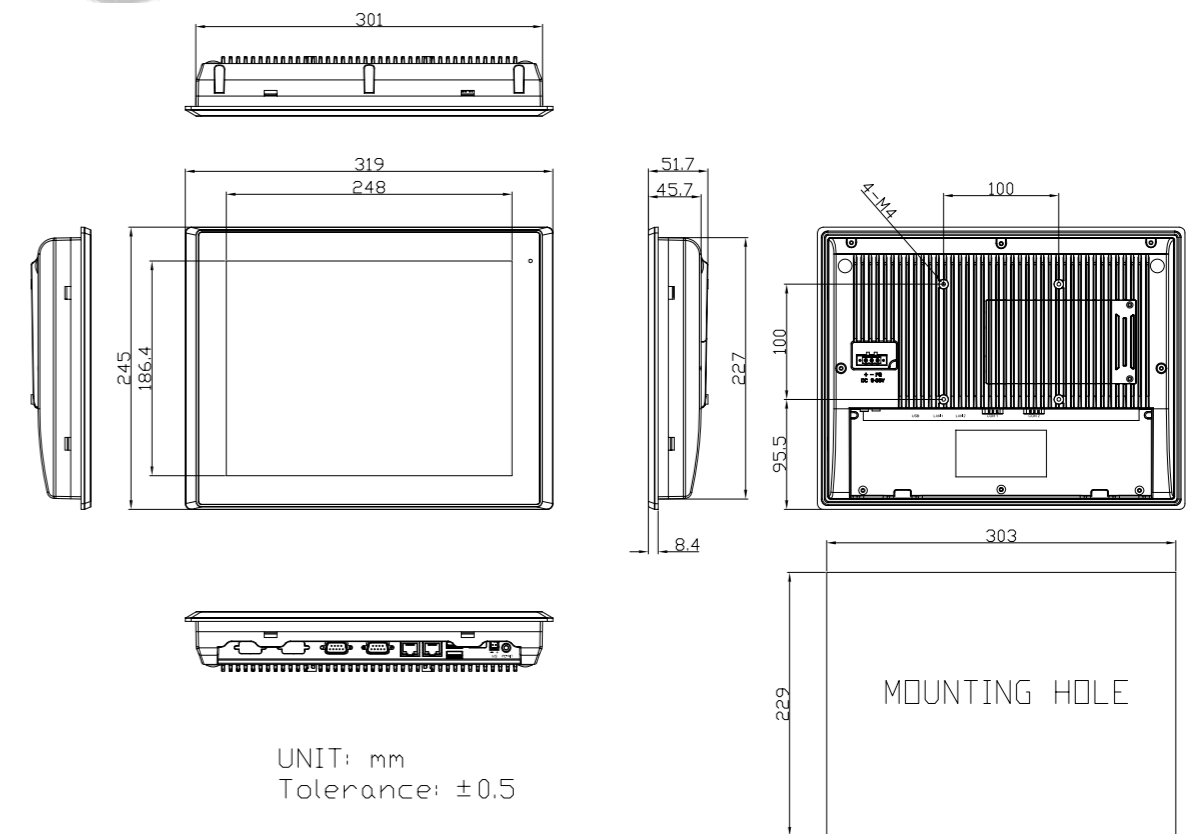
I/O Port	
USB	2 x USB 3.0 type A
Serial / Parallel	1 x DB-9 RS-232/422/485, COM1 (Default RS-232) 1 x RS-232 DB-9, COM2
Audio	1 x Audio Line Out
LAN	2 x GbE LAN RJ-45
Power	1 x 3-pin DC power input terminal 1 x 2-pin connector for power on/off
Option	VESA Stand 4G LTE/Wi-Fi/BT 4 x USB 2.0 type A (TB-528U4) 4 x USB 2.0 type A/ 1 x Mini PCIe/ 1 x SIM slot (TB-528U4ME1) 1 x COM/ 2 x USB 2.0 (TB-528C1U2) 1 x COM (RS-232) + 2 x USB 2.0 + 1 x Power Button (TB-528C1U2P1) 2 x COM (TB-528C2) 2 x COM/ 1 x Mini PCIe slot/ 1 x SIM slot (TB-528C2ME1) 2 x COM (RS-232/485, isolated) (TB-528C2I) 2 x CAN (TB-528CAN2) 1 x LAN/ 2 x USB 2.0 (TB-528E1U2) 1 x LAN/ 2 x USB 2.0/ 45W PoE (TB-528E1U2UPOE) UPS Battery 21Wh/10.8Wh/1.95Ah (3S1P) <b>System is only allowed to build in either I/O board TB-528 series or UPS battery</b>

Storage Space	
HDD	1 x 2.5" SATA HDD bay for SATA HDD (Easy Accessible)

Expansion	
Expansion Slot	1 x Internal Mini-PCIe slot full size 1 x SIM card holder / Micro SD card reader

Display	
Display Type	12.1" TFT-LCD
Max. Resolution	800 x 600 1024 x 768
Max. Color	262K / 16.2M
Luminance (cd/m <sup>2</sup> )	450 (SVGA) / 500 (XGA)
View Angle	178/178 (SVGA) 178/178 (XGA)
Contrast	1500:1(SVGA) / 1000:1(XGA)
Backlight Lifetime	50,000 hrs (SVGA) 30,000 hrs (XGA)

### Dimensions



Touch Screen	
Type	Resistive Touch (for R Model) Projected Capacitive Touch (for P Model)
Interface	USB
Light Transmission(%)	Resistive Touch Window: over 80% Projected Capacitive Touch: over 90%

Power	
Power Input	DC 9~36V
Power Consumption	ARCHMI-912P:22W (MAX)

Mechanical	
Color	RAL 9007
Construction	Aluminum die-casting chassis
Mounting	Panel Mount, VESA 100 x 100
Dimensions (WxHxD)	319mm x 245mm x 51.7mm
IP Rating	IP66 Compliant Front Bezel
Net Weight	2.7 kg

Environmental	
Operating Temperature	0~50°C / -20~60°C (option)
Storage Temperature	-30~70°C
Humidity	10 to 95%@ 40°C, non-condensing
Certificate	CE/FCC Class A

Operating System Support	
Windows 10 IoT	

Ordering Information	
ARCHMI-912	12.1" SVGA Fanless HMI barebone with Intel Core i3-4010 CPU, 4GB DDR3 RAM, Resistive touch screen, 9~36V DC input with adapter, Aluminum chassis
ARCHMI-912P	12.1" SVGA Fanless HMI barebone with Intel Core i3-4010 CPU, 4GB DDR3 RAM, Projected Capacitive touch, 9~36V DC input with adapter, Aluminum chassis