

# GL66 Mild Steel Small Hinge Cover



**HOFFMAN**

## SOLUTIONS FOR TERMINAL INSTALLATIONS: SMALL SIZES, ONE LOCK SYSTEM



### INDUSTRY STANDARDS

Solid hinged cover models.  
Mounting brackets required to meet  
UL/CSA external mounting requirements.

UL 508A listed; Type 3, 4, 12; File No. E61997  
cUL Listed per CSA C22. 2 No. 94; Type 3, 4, 12; File No. E61997

NEMA/EEMAC Type 4 and 12  
CSA, File No. 42186: Type 4, 12  
IEC/EN62262 IK9  
IEC 60529, IP66  
IEC 62208



### APPLICATION

- Automotive
- Packaging
- Material handling
- Tool and machine

### SCOPE OF DELIVERY

- Enclosure with hinged door
- Mounting plate, supplied loose (for items with mounting plate)
- Assembly kit
- Installation instruction

### FEATURES

- Hinged cover type is designed for terminals installation
- Quarter-turn latch with 3 mm double-bit insert
- Furnished hardware kit includes solid washers for wall-mounting, hole plugs

### SPECIFICATIONS

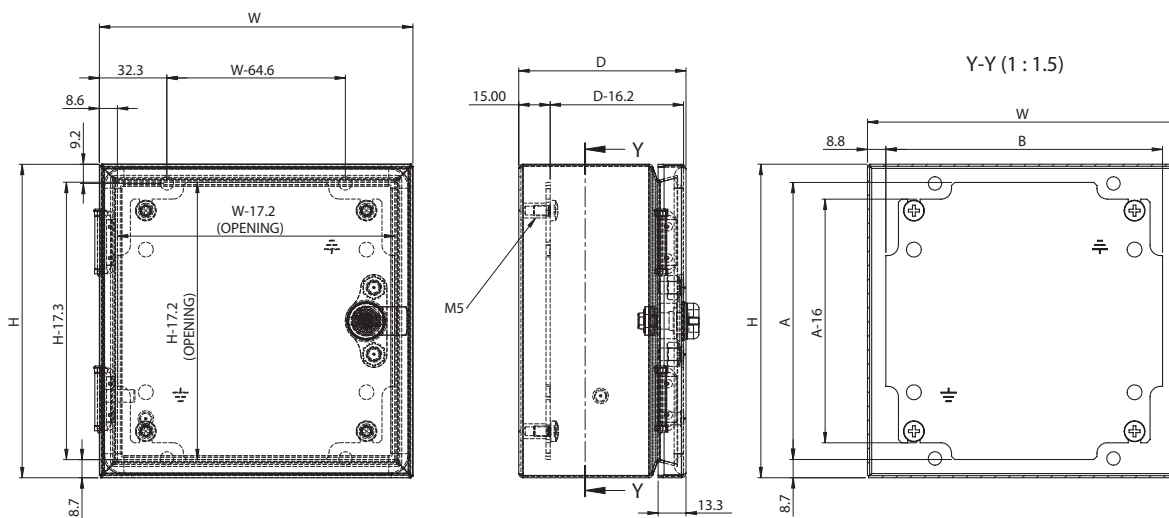
- Mild steel solution with doors thickness 1,2 mm and body thickness 1,0 or 1,2 mm
- Seamless, foam-in-place gasket
- Grounding studs system
- Solution without gland plate
- Weatherproof paint available on request

### FINISH

- RAL 7035 textured light-gray polyester powder paint

## STANDARD PRODUCT

Item number	Description	H [mm]	W [mm]	D [mm]	Door thickness [mm]	Body thickness [mm]	Conductive mounting plate Item number	Solution with mounting plate included Item number
MHC15015080E	GL66 mild steel, hinged cover	150	150	80	1.2	1	MSC150P150GE	MHC15015080PE
MHC150150120E	GL66 mild steel, hinged cover	150	150	120	1.2	1	MSC150P150GE	MHC150150120PE
MHC200150120E	GL66 mild steel, hinged cover	200	150	120	1.2	1	MSC200P150GE	MHC200150120PE
MHC20020080E	GL66 mild steel, hinged cover	200	200	80	1.2	1	MSC200P200GE	MHC20020080PE
MHC200200120E	GL66 mild steel, hinged cover	200	200	120	1.2	1	MSC200P200GE	MHC200200120PE
MHC250200150E	GL66 mild steel, hinged cover	250	200	150	1.2	1	MSC250P200GE	MHC250200150PE
MHC30015080E	GL66 mild steel, hinged cover	300	150	80	1.2	1	MSC300P150GE	MHC30015080PE
MHC300150120E	GL66 mild steel, hinged cover	300	150	120	1.2	1	MSC300P150GE	MHC300150120PE
MHC30020080E	GL66 mild steel, hinged cover	300	200	80	1.2	1	MSC300P200GE	MHC30020080PE
MHC300200120E	GL66 mild steel, hinged cover	300	200	120	1.2	1.2	MSC300P200GE	MHC300200120PE
MHC300250150E	GL66 mild steel, hinged cover	300	250	150	1.2	1.2	MSC300P250GE	MHC300250150PE
MHC300250200E	GL66 mild steel, hinged cover	300	250	200	1.2	1.2	MSC300P250GE	MHC300250200PE
MHC300300120E	GL66 mild steel, hinged cover	300	300	120	1.2	1.2	MSC300P300GE	MHC300300120PE
MHC300300150E	GL66 mild steel, hinged cover	300	300	150	1.2	1.2	MSC300P300GE	MHC300300150PE
MHC300300210E	GL66 mild steel, hinged cover	300	300	210	1.2	1.2	MSC300P300GE	MHC300300210PE
MHC300400210E	GL66 mild steel, hinged cover	300	400	210	1.2	1.2	MSC400P300GE	MHC300400210PE
MHC350300200E	GL66 mild steel, hinged cover	350	300	200	1.2	1.2	MSC350P300GE	MHC350300200PE
MHC40020080E	GL66 mild steel, hinged cover	400	200	80	1.2	1.2	MSC400P200GE	MHC40020080PE
MHC400200120E	GL66 mild steel, hinged cover	400	200	120	1.2	1.2	MSC400P200GE	MHC400200120PE
MHC400300120E	GL66 mild steel, hinged cover	400	300	120	1.2	1.2	MSC400P300GE	MHC400300120PE
MHC400300150E	GL66 mild steel, hinged cover	400	300	150	1.2	1.2	MSC400P300GE	MHC400300150PE
MHC500200120E	GL66 mild steel, hinged cover	500	200	120	1.2	1.2	MSC500P200GE	MHC500200120PE



Our powerful portfolio of brands:

[nVent.com](http://nVent.com)

CADDY ERICO HOFFMAN RAYCHEM SCHROFF TRACER