

# RTC-700RK

7" Rugged Tablet ARM-based Android™ with 1.6 GHz Quad Core Processor

Rugged Tablet Computers



## Features

- 7" WXGA (1280 x 800) TFT LCD Display, 400 nits, Sunlight Readable (Optional)
- Rockchip RK3288 1.6 GHz Quad Core Processor
- DDR3L 2GB SDRAM
- Projected Capacitive Multi-Touch Panel, Gorilla Glass
- Extended Battery Swappable, MIL-STD 810G, IP65 Compliant
- GPS/GLONASS Simultaneously
- WiFi b/g/n, Bluetooth V4.0
- Supports NFC/RFID, Ethernet + COM Port (Optional)
- 1D/2D Barcode Scanner with Trigger Button (Optional)
- MSR (Optional)/SCR (Optional)
- G-Sensor, Light Sensor, E-Compass
- Android 6.0



Sensor	S-sensor, E-compass, Gyroscope, Light-sensor
Expansion Slot	Docking
Barcode Scanner (Optional)	1D Scanner support CMOS engine (Optional), 2D Scanner support LED engine
HF RFID (Optional)	ISO 15693 (R/W) ISO 18092 (R/W) ISO 14443-A (R/W) ISO 14443-B (Only Read UID) Depend on card type
Physical Key	—
<b>Mechanical</b>	
Color	Black
Dimension (W x H x D)	5.38" x 8.58" x 0.83" (136.6mm x 219mm x 21mm)
Gross Weight	1.27lb (0.57kg)
<b>Environmental</b>	
Operating Temperature	-4°F ~ 140°F (-20°C ~ 60°C)
Storage Temperature	-67°F ~ 158°F (-55°C ~ 70°C)
Humidity	50°C; 5% ~ 90% R/H; 120 hours, non-condensing
Environmental Sealing	IP65
Vibration	MIL-STD-810G Method 514.6 Procedure I, Cat. 24, Fig. 514.6E-1 & E-2
Drop	MIL-STD-810G Method 516.6 Procedure IV - Height of Drop: 122cm (48 inch; 4ft) - Number of Drop: 26 times - Floor: Two inch plywood backed by concrete - For all surfaces, edges and corners
ESD	Air charge: +/- 8KV, Contact charge: +/- 4KV
Certifications and Standards	UL: UL60950-1, CE/LVD: EN60950-1, FCC, CE
<b>Power Supply</b>	
AC / DC Adapter	AC 100~240V, 50~60Hz ; DC 12V/3A (36W)
Battery Life	Li-polymer high capacity battery, up to 5.5 hours battery life
Master Battery	External battery: 7.4V 1530mah
Slave Battery	Removable battery: 7.4V 1530mah
<b>Display</b>	
LCD	7" TFT-LCD / 16:10, with LED backlight
Resolution	1280 x 800 pixel
Maximum Color	16.7M
Dot Size	0.117(W) x 0.117(H)
Brightness	400 nits; Sunlight Readable (Optional)**
Viewing Angle	Horizontal: 178° (Typ.), Vertical: 178° (Typ.)
<b>Touch Screen</b>	
Touch Type	Projected capacitive multi-touch screen (PCT)
Light Transmission	Min 87% (ASTM D1003; Wavelength = 550nm)

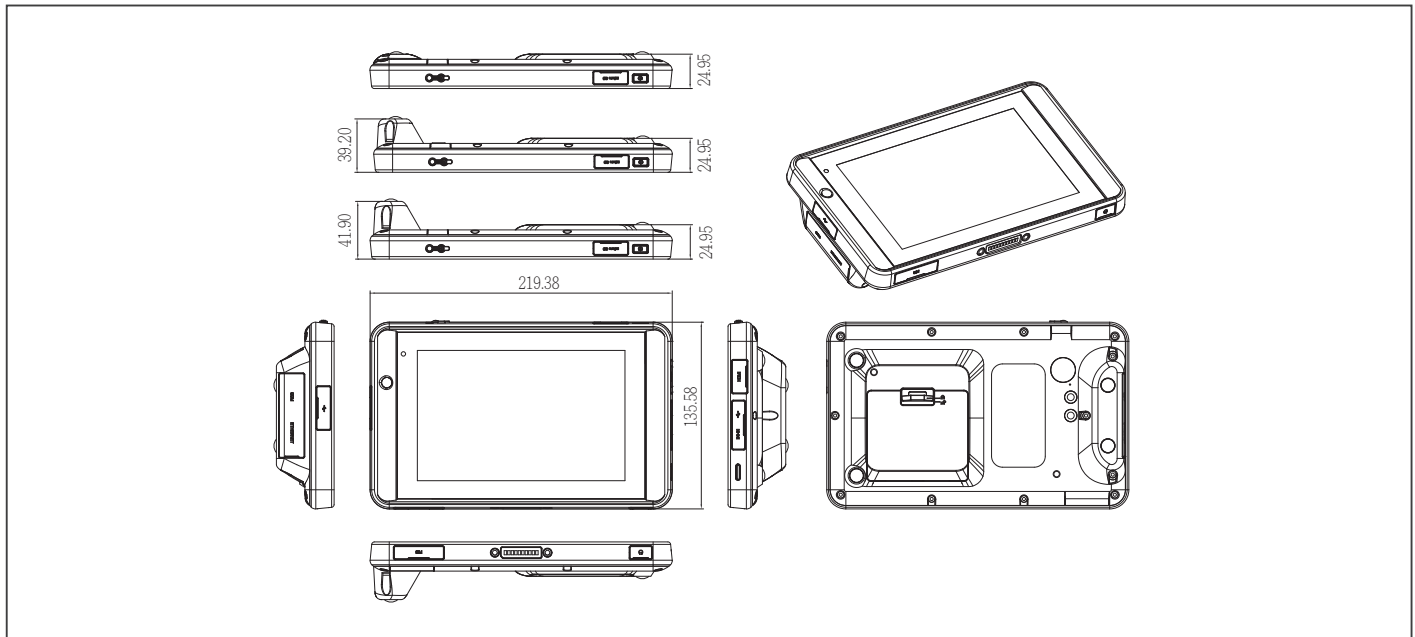
## Specifications

<b>System Architecture</b>	
Processor	Rockchip RK3288 1.6 GHz Quad Core Processor
Operating System	Android™ 6.0
Memory	Onboard DDR3L 2 GB
Storage	Onboard 16GB eMMC
Display	7" TFT-LCD/ 16:10, with Projected Capacitive Multi-Touch screen
I/O Port	DC-in jack x 1, MicroSD Card x 1, SIM card slot x 1, Mini USB x 1, MiniHDMI x 1, USB type A x 1, Built-in Speaker & Microphone x 1, 3.5mm stereo headphone jack x 1, 1D/2D Barcode scanner x 1 (optional), Magnetic Stripe Reader x 1 (optional), COM port x 1 + Ethernet x 1 (optional)
Communication	Bluetooth v4.0, Wi-Fi (802.11 b/g/n), NFC / RFID (13.56MHz), 3G (Optional)
Navigation	GPS, Glonass
WWAN(optional)	LTE*
Camera	8 MP auto-focus rear camera with flash***

\* LTE: the module adder need customization depends on different countries, please contact Sales Rep.  
\*\* Sunlight readable by optional Anti-Reflective bonding and optional anti-glare film.  
\*\*\*8MP camera might requires MOQ, please contact local Sales Rep.

### Dimension

Unit: mm



### Packing List

- **1255300367**  
Power Adapter
- **9789600A00**  
Battery
- **RTC-700RK**

\*Power cord must be purchased separately.

### Optional Accessories

- **1255900361**  
Car Adapter, Flying Type
- **1255900360**  
Car Adapter, Barrel Type
- **1700050156**  
USB OTG Cable (Host to Device)
- **1702031830**  
Power Cord Cable for USA
- **1700051000**  
USB Cable (Client to PC)
- **1702031831**  
Power Cable for Europe
- **PER-A151**  
USB, COM and RJ45 Module
- **PER-A155**  
MSR Module
- **PER-A156**  
MSR and SCR Module
- **TF-RDS-0310-0000**  
Docking Station(with Stand)
- **TF-RDS-0310-0002**  
Docking Station(without Stand)
- **PER-A152**  
COM and Ethernet + Module
- **PER-A153**  
BCR Module
- **RDS-0040-0000**  
4-Bay Battery Charger
- **9759700B00**  
Hand Strap
- **9789700A04**  
Leather Strap for RTC-700X w/ BCR or LAN
- **9741600R04**  
Battery 2 Pcs in a Pack

\* Small quantity MOQ may apply for optional/customized services.

### Ordering Information

Part Number	CPU	LCD Display	Touch Screen	System Memory	Storage	OS	WiFi/Bluetooth	4G Bands (MHz)	Navigation	Sensor	Battery	Expansion I/O	Size & Weight	Operation Temp	Durable	NFC (HF RFID)	2D Barcode Scanner	Com + Ethernet	Docking
RTC-700RK-TAD-WBGRLE-7101	Rockchip RK3288 1.6 GHz Quad Core Processor	7" TFT LCD	Pcap 10-point	DDR3L 2GB	16GB eMMC Flash	Android 6.0	802.11 b/g/n + BT4.0+ EDR	FDD LTE: B1/B3/B5/B7/B8/B20 TDD LTE: B38/B40/B41 WCDMA: B1/B5/B8 GSM: B3/B8	GPS/ Glonass/ AGPS	Light Sensor x 1, G Sensor x 1, 3-axis digital gescopex 1, Vibrator x 1	Dual-Battery, Internal: 7.4V, 1530mAh, External: 7.4V, 1530mAh	MiniHDMI x 1, MiniUSB x 1, micro SD x 1, SIM Card x 1	L 219.4 x W 135.58 x H 39.2 mm, 640g	-4°F ~ 140°F (-20°C ~ 60°C)	Meet IEC 60529 IP-65 standard, Mil Std 810G-516.6, Procedure IV, 26 drops of 48" height to 2" plywood over concrete with bumpers & uNits off, 2 units to pass	Yes	Yes	—	Yes
RTC-700RK-TAD-WBGRLE-7102		7" TFT LCD	Pcap 10-point	DDR3L 2GB	16GB eMMC Flash	Android 6.0	802.11 b/g/n + BT4.0+ EDR		GPS/ Glonass/ AGPS		Dual-Battery, Internal: 7.4V, 1530mAh, External: 7.4V, 1530mAh	MiniHDMI x 1, MiniUSB x 1, micro SD x 1, SIM Card x 1	L 219.4 x W 135.58 x H 41.9 mm, 640g	-4°F ~ 140°F (-20°C ~ 60°C)	Yes	—	Yes	Yes	
RTC-700RK-TAD-WBG-7100		7" TFT LCD	Pcap 10-point	DDR3L 2GB	16GB eMMC Flash	Android 6.0	802.11 b/g/n + BT4.0+ EDR	—	GPS/ Glonass/ AGPS		Dual-Battery, Internal: 7.4V, 1530mAh, External: 7.4V, 1530mAh	MiniHDMI x 1, MiniUSB x 1, micro SD x 1, SIM Card x 1	L 219.4 x W 135.58 x H 21.2 mm, 600g	-4°F ~ 140°F (-20°C ~ 60°C)	—	—	—	Yes	