

UTC-532

31.5" Ubiquitous Touch Computer UTC-532G with Intel® Pentium® N4200

NEW



Features

- High performance and fanless system design
- Built-in Intel® Pentium® N4200 (UTC-532G)
- 31.5" monitor with 16:9 widescreen display
- IP65-rated front panel for water and dust resistance
- Aluminum frame with side groove design for flexible peripheral installation
- Supports both landscape and portrait screen orientations
- VESA 200 mm standard mounting holes for varied mounting demands
- Support Advantech WISE-PaaS/RMM



Introduction

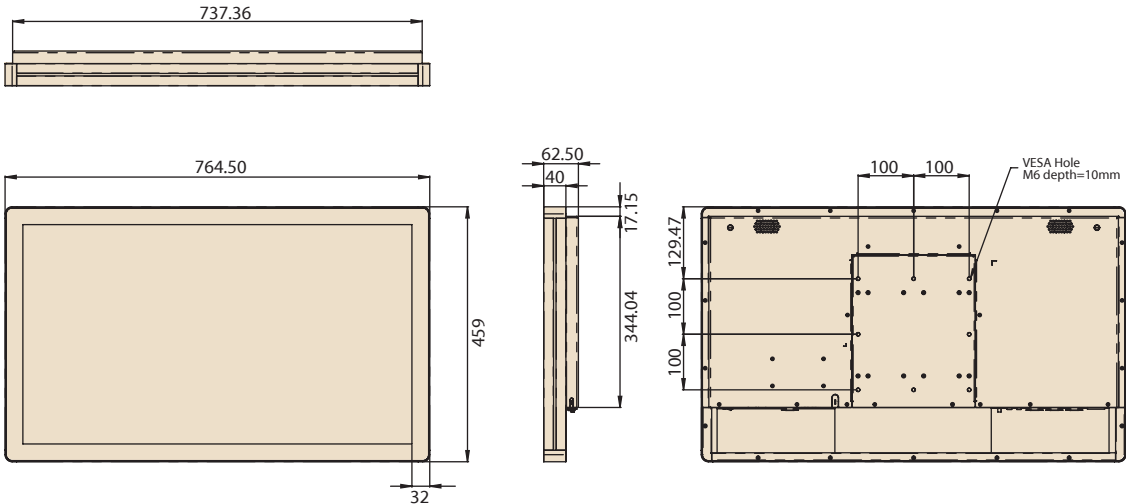
UTC-532 features an all-in-one computing system equipped with wide format, touch based LCD panel. It is easy to integrate key peripherals and display systems for diversified self-service and interactive signage deploy in different application areas. The systems deliver updated information with well-designed interactive interfaces, fully ensure relevant content and targeted promotions are delivered. UTC series touch panel computers are the best investments to enhance user satisfaction, further brand equity, and maximize business profits.

Specifications

Processor System	CPU	Intel® Pentium® N4200 (UTC-532G)
	Base Frequency	1.1 GHz (N4200/Quad-Core)
	Cache	L2 Cache 2MB
	Memory	1 x SO-DIMM DDR3L 1867 MHz
	HDD	1 x 2.5 internal SATA HDD bay
	Network (LAN)	2 x Gigabit Ethernet ports (Supports Wake on LAN)
	I/O ports	2 x RS-232 COM (RS-422/485)* 2 x USB2.0/ 2 x USB3.0 2 x Gigabit Ethernet (RJ-45) 1 x VGA & 1 x HDMI Audio Line-out x 1, Mic-in x 1
	Stereo Speaker	3 W x 2
	Bus expansion	Full-size MiniPCIe / M.2
	Dimensions (W x H x D)	764.50 x 459 x 62.50 mm
Weight	18 kg (39.6 lb)	
OS Support	Win 10 IoT Enterprise	
Environmental Specifications	Operating Temperature	0 ~ 40° C (32 ~ 104° F)
	Relative Humidity	10 ~ 95% @ 40° C non-condensing
	Vibration	0.5G
	Shock	5 G peak acceleration (11 msec. duration)
	Certification	CE, FCC, UL, CB, CCC, BSMI
	Front Panel Protection	IP65/ NEMA4 Compliant
Power	Input Rating	100-240V _{AC} ~ 50/60Hz 2.5A
	Power consumption	Typical 95W Max. 105W
LCD Display	Size/Type	31.5" TFT LCD with LED backlight
	Max. Resolution	1920 x 1080
	Max. Color	16.7 M
	Pixel Pitch (mm)	0.36375 (H) x 0.36375 (W)
	Brightness (cd/m ²)	300
	View Angle	178°/178°
Touch Screen (PE/GE)	Type	Projected Capacitive Touch Panel (Pcap. Flat Glass) / Glass Panel (No touch function)
	Light Transmission	90% ± 2% / 90%
	Controller	USB Interface / -

Dimensions

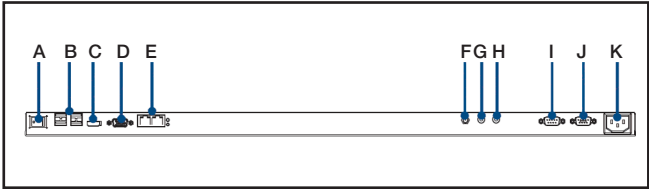
Unit: mm



Ordering Information

Part No.	Description
UTC-532GP-I0TW0E	32" PCT./S-N4200, 4G RAM, 128G SSD, Win10, TW PWC, White

Fully- Integrated I/O



- A. Power switch
- B. USB 3.0 x 2, USB 2.0 x 2
- C. HDMI
- D. VGA
- E. LAN Port x 2
- F. Antenna Port
- G. Line-out
- H. Mic-in
- I. COM2
- J. COM1
- K. AC Power