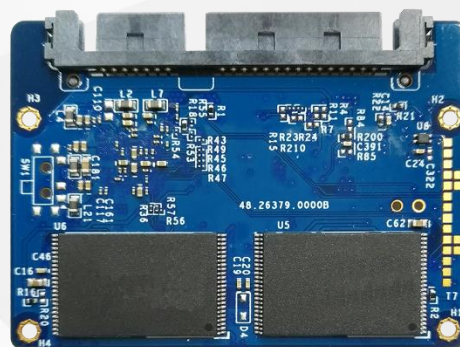
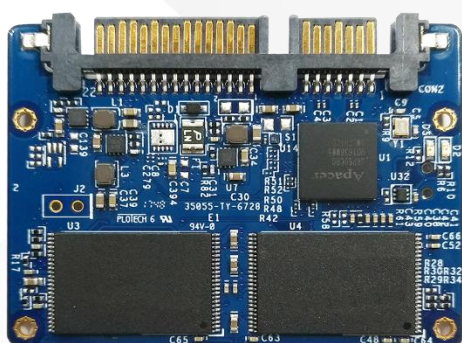


The Most **Reliable** Storage For Industries

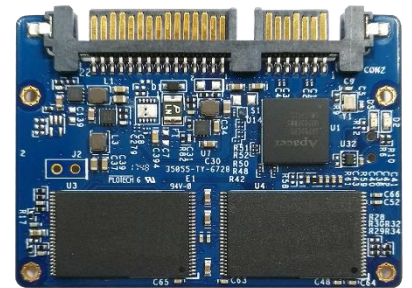
ST170-297



ST170-297

Overview

Apacer's ST170-297 (JEDEC MO-297) is a well-balanced solid-state disk (SSD) drive with standard form factor and great performance. Designed in SATA 6.0 Gbps interface, the SSD is able to deliver exceptional read/write speed, making it the ideal companion for heavy-loading industrial or server operations. ST170-297 (JEDEC MO-297) utilizes 3D NAND for higher capacity up to 480GB and provides more power efficiency than 2D NAND. It is suitable for Embedded, POS, KIOSK and IPC applications to optimize its operating conditions featuring in high-speed, stability and power savings.



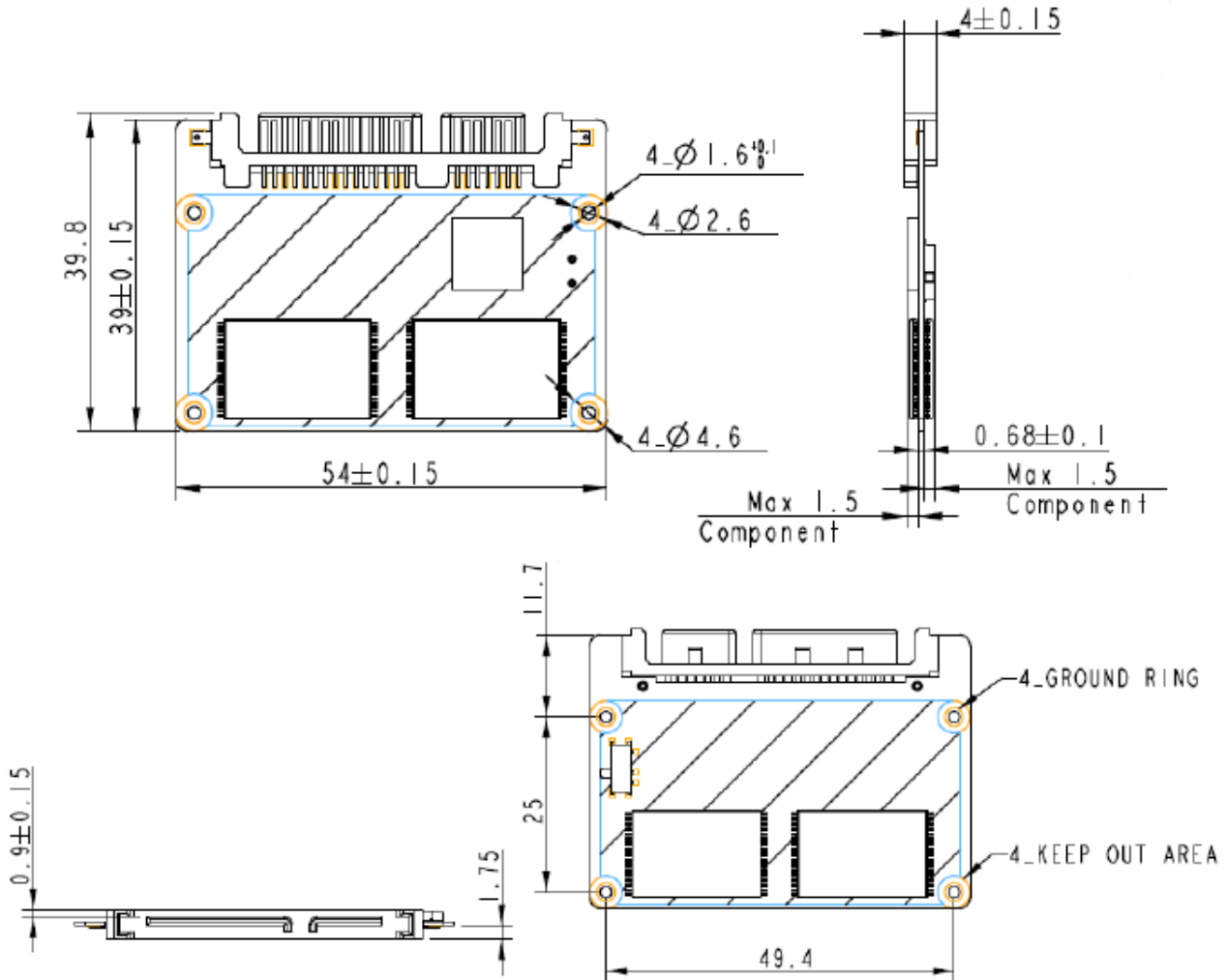
Feature

- Support LDPC ECC
- Global Wear Leveling
- Flash bad-block management
- S.M.A.R.T. and SSD Widget
- Power Failure Management
- End-to-End Data Protection
- TRIM Support
- ATA Secure Erase
- Hyper Cache Technology
- Over-Provisioning

Specifications

Model	ST170-297
Interface	SATA 3.0 (6Gb/s)
Connector	(7+15) pin male
Form Factor	JEDEC MO-297
NAND Flash Type	3D TLC
Capacity	30GB~480GB
External DRAM	No
Sustained Read Performance (MB/sec)	Up to 560
Sustained Write Performance (MB/sec)	Up to 505
ECC Engine	Low-Density Parity-Check (LDPC) Code
IOPS (4K Random Write)	83K
Standard Operating Temperature (°C)	0 ~ + 70
Storage Temperature (°C)	-40 ~ + 100
Thermal Sensor	Yes
Shock	Operation: 50G/11ms (compliant with MIL-STD-202G) Non-operation: 1500G/0.5ms (compliant with MIL-STD-883K)
Vibration	Operation: 7.69 Grms, 20~2000 Hz/random (compliant with MIL-STD-810G) Non-operation: 4.02 Grms, 15 ~ 2000 Hz/sine (compliant with MIL-STD-810G)
Operating Voltage	5.0 V±5%
Power Consumption	Active mode: 315 mA / Idle mode: 75 mA
Dimension (L x W x H)	54.00 x 39.80 x 4.00 (mm)
MTBF (hours)	>1,000,000

Mechanical Specification



Unit: mm

**For more information,
contact your Apacer representative**

Global Presence

Taiwan (Headquarters)
Apacer Technology Inc.
Tel: +886-2-2267-8000
Fax: +886-2-2267-2261

Europe
Apacer Technology B.V.
Tel: +31-40-267-0000
Fax: +31-40-290-0686

U.S.A.
Apacer Memory America, Inc.
Tel: +1-408-518-8699
Fax: 1-510-249-9551

China
Apacer Electronic(Shanghai)
Co., Ltd.
Tel: +86-21-6228-9939

Japan
Apacer Technology Corp.
Tel: +81-3-5419-2668
Fax: +81-3-5419-0018

India
Apacer Technologies Pvt. Ltd.
Tel: +91-80-41529061~3
Fax: +91-80-41700215