

The Most **Reliable**  
Storage For Industries

**SDM5A-M 7P/180D LP5(H)**



## SDM5A-M 7P/180D LP5(H)

### Overview

Apacer's SDM5A-M (SATADisk Module 5A - M) offers elevated speed boost and higher error correction capabilities. Built with SATA6 Gb/s interface, SDM5A-M delivers exceptional performance in data transfer.

With its SATA interface compliance and compact size, this high-speed disk module defines an ideal balance of performance, capacities, reliability and cost. SDM5A-M comes in moderate capacities that are suitable to boot industrial applications and light operating systems for specific operations, while with some extra memory space for data storage. The architectural nature of SATADisk module provides higher resistance to external environmental influences and better flexibility for motherboard space.

Regarding data reliability, SDM5A-M is built in with powerful ECC engine that can correct up to 40-bit per 1KB data. In addition, the controller unit of this DOM device supports wear-leveling, SMART and power failure management for data integrity. With its trustable reliability, performance and cost effectiveness, Apacer's SDM5A-M is definitely the ideal storage or cache solution for embedded and industrial computers, servers and thin clients.



(Optional)

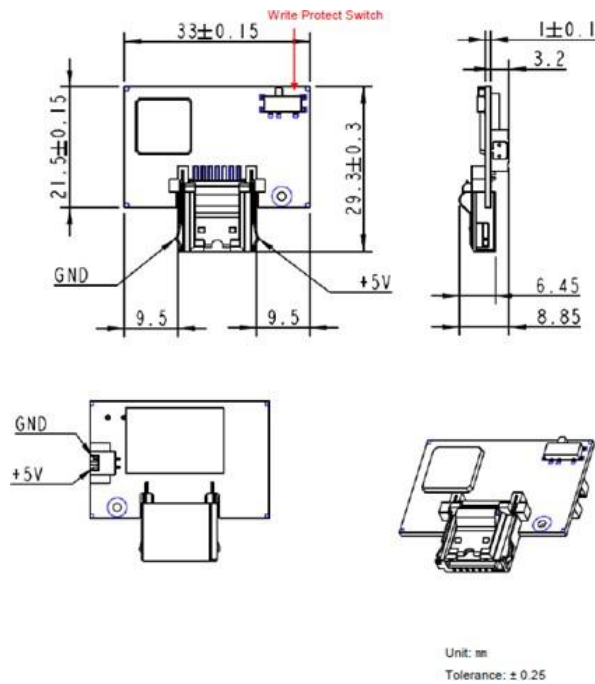
### Feature

- 7-pin SATA connector
- Unique Hook Design
- Multi-PowerPath Technology
- TRIM Command Support
- Product Housing Selection (Optional)
- Built-in ATASecure Erase and S.M.A.R.T. Functions
- Global Wear-Leveling and Block Management

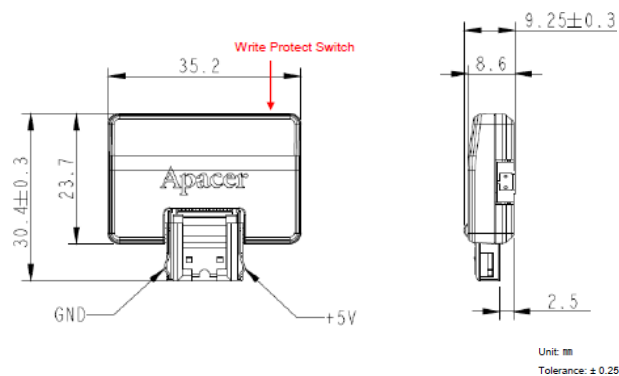
## Specifications

<b>Model</b>	SDM5A-M 7P/180D LP5(H)
<b>Interface</b>	SATA 3.0 (6Gb/s)
<b>Connector</b>	7-pin
<b>Form Factor</b>	SATA Disk Module
<b>NAND Flash Type</b>	MLC
<b>Capacity</b>	32GB ~ 64GB
<b>External DRAM</b>	No
<b>Sustained Read Performance (MB/sec)</b>	Up to 435
<b>Sustained Write Performance (MB/sec)</b>	Up to 80
<b>ECC Engine</b>	Built-in 40-bit per 1Kbytes BCH ECC
<b>Standard Operating Temperature ( °C)</b>	0 ~ + 70
<b>Extended Operating Temperature ( °C)</b>	-40 ~ + 85
<b>Storage Temperature ( °C)</b>	-40 ~ + 100
<b>Housing</b>	Optional
<b>H/W Write Protect</b>	Optional
<b>Screw Hole</b>	No
<b>Cable-less Solution</b>	Optional (7+2 cable-less, Pin 7 Power cable-less)
<b>Thermal sensor</b>	No
<b>Shock</b>	Operation: 50G, 11ms Non-operation: 1500G, 0.5ms
<b>Vibration</b>	Operation: 7.69 Grms, 20~2000 Hz/random (compliant with MIL-STD-810G) Non-operation: 15 G, 10 ~ 2000 Hz/sine
<b>Operating Voltage</b>	5.0 V ± 5%
<b>Power Consumption</b>	Active mode: 225 mA & Idle mode: 70mA
<b>Dimension (L x W x H )</b>	Without housing: Standard type: 30.0 x 27.8 x 8.2 mm High-speed type: 30.0 x 27.8 x 7.4 mm With housing: 32.5 x 29.4 x 8.53 mm
<b>MTBF (hours)</b>	>1,000,000

## Mechanical Specification



## (Optional)



**For more information,  
contact your Apacer representative**

### Global Presence

Taiwan (Headquarters)  
Apacer Technology Inc.  
Tel: +886-2-2267-8000  
Fax: +886-2-2267-2261

Japan  
Apacer Technology Corp.  
Tel: +81-3-5419-2668  
Fax: +81-3-5419-0018

Europe  
Apacer Technology B.V.  
Tel: +31-40-267-0000  
Fax: +31-40-290-0686

India  
Apacer Technologies Pvt. Ltd.  
Tel: +91-80-41529061~3  
Fax: +91-80-41700215

U.S.A.  
Apacer Memory America, Inc.  
Tel: +1-408-518-8699  
Fax: 1-510-249-9551

China  
Apacer Electronic(Shanghai)  
Co., Ltd.  
Tel: +86-21-6228-9939