

# PPC-3120

## 12.1" Fanless Panel PC with Intel® Atom™ D2550 Processor



### Features

- 12.1" TFT XGA LED Panel with resistive touchscreen
- Embedded Intel® Atom™ processor D2550 1.86 GHz
- System memory up to 4 GB DDR3 1066 SDRAM
- Supports one internal SATA 2.5" HDD and 1 x mSATA socket
- Optional PCI/PCIe x1 expansion kit
- Fanless design and low power consumption
- Automatic data flow control over RS-485
- Adjust RS-232/422/485 through BIOS
- COM1/COM2 pin9 RI/5V/12V adjustable through BIOS



### Introduction

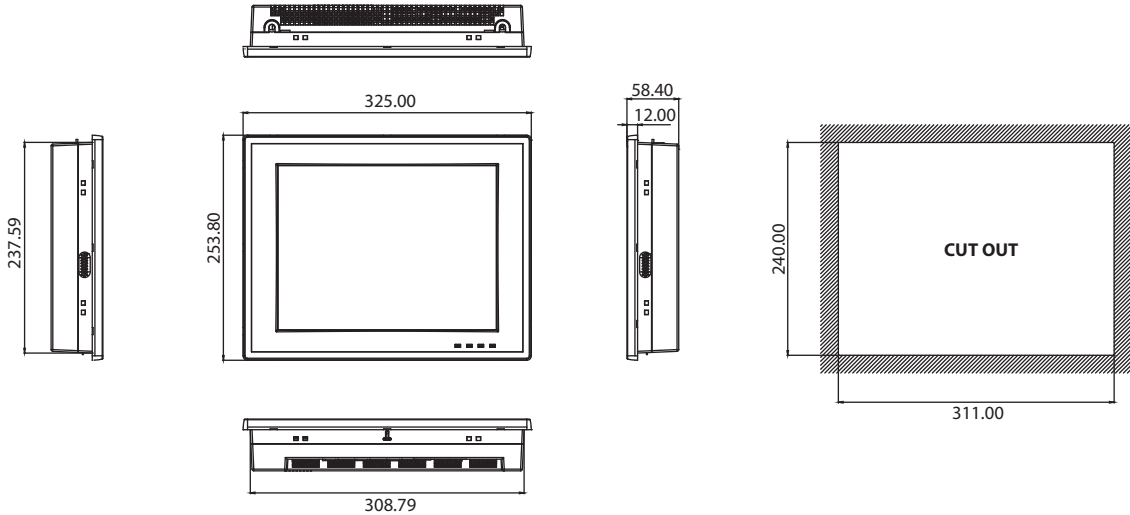
The PPC-3120 is a new, 12.1" Panel PC equipped with an Intel® Atom™ processor D2550. Meeting the demands of harsh environments, the fanless design makes PPC-3120 extra reliable for applications in the machine building industry. In addition, the dual GbE LAN, 4 x serial ports, 4 x USB ports, and GPIO connector make device connection and integration easy. With a user friendly design it comes with front panel LED indicators that show power on/off, storage access, and LAN activity.

### Specifications

<b>Processor System</b>	CPU	Intel® Atom™ D2550, Dual core
	Frequency	1.86 GHz
	2nd Cache	1 MB
	Chipset	NM10
	Memory	1 x SO-DIMM, DDR3, Max 4 GB
	Storage	1 x 2.5" SATA Bay 1 x mSATA Bay
	Network (LAN)	2 x 10/100/1000 Mbps Ethernet
	I/O ports	4 x Serial ports: 3 x RS-232, 1x RS-232/422/485 (Adjustable through BIOS) 4 x USB 2.0 1 x Line-out, 1x MIC-in 1 x DB15 VGA 1 x DB9 GPIO port (8 pin programmable)
	Expansion	1 x Mini PCIe 1 x PCIe x1; 1 x PCI
	Watchdog Timer	255 timer levels, set up by software
Speaker	2 x 3W	
<b>Physical Characteristics</b>	Dimensions	325 x 253.8 x 58.4 mm (12.79" x 10" x 2.3")
	Weight	3.3 kg (7.27 lb)
<b>OS Support</b>	OS Support	Microsoft® Windows XPE / Windows XP Pro / WES7 32bit / WEC7 / Windows 7 32bit / Linux
<b>Power Consumption</b>	Input Voltage	12- 30 Vdc
	Power Consumption	36 W (Burn-in test 7.0 in Windows 7 32bit) 34 W (Burn-in test 7.0 in Windows XP 32bit)
<b>LCD Display</b>	Display Type	12.1" TFT LED Panel (LED Backlight)
	Max. Resolution	1024 x 768
	Viewing Angle	80 (left), 80 (right), 70 (up), 70 (down)
	Luminance (cd/m <sup>2</sup> )	600
	Contrast Ratio	700
<b>Touchscreen</b>	Backlight Lifetime	50,000 hrs (typical)
	Touch Type	Analog Resistive 5-wire
	Light Transmission	81+/-3%
	Controller	RS-232 interface
	Durability (Touches)	36 million

**Dimensions**

Unit: mm



**Cut-out dimensions: 311 x 240 mm**

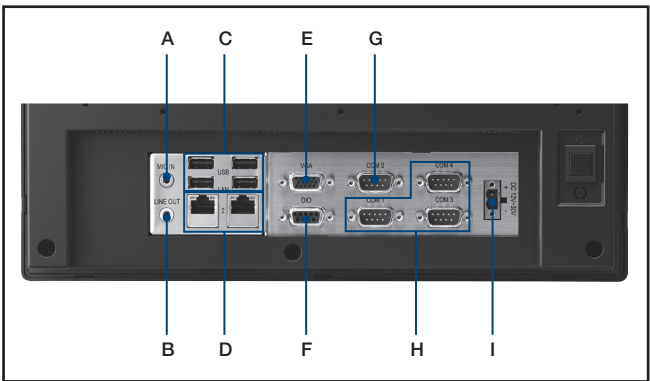
<b>Environment</b>	Operating Temperature	0 ~ 50°C (32 ~ 122°F)
	Storage Temperature	-40 ~ 60°C (-40 ~ 140°F)
	Relative Humidity	10 ~ 95% @ 40°C (non-condensing)
	Shock	Operating 10 G peak acceleration (11 ms duration), follow IEC 60068-2-27
	Vibration	Operating Random Vibration Test 5 ~ 500Hz, 1Grms, follow IEC 60068-2-64
	EMC	CE, FCC Class B, BSMI
	Safety	CB, CCC, BSMI, UL
	Front Panel Protection	IP65 compliant

**Ordering Information**

Part No.	Description
PPC-3120-RAE	Atom D2550 Fanless PPC with 12.1" XGA LED backlight, touch, without memory
96PSA-A90W190T-1	ADP A/D 100-240V 90W 19V W/PFC
1700001524	Power cord 3P UL 10A 125V 1.8m
170203183C	Power cord 3P Europe (WS-010+083)183cm
1700008921	Power cord 3P/3P Power supply 1.8M PSE
* PPC-174T-WL-MTE	Wall mount kit for PPC series
* PPC-ARM-A03	PPC ARM VESA Standard
* PPC-STAND-A1E	Stand For PPC Series
PPC-3100-VESAE	PPC-3100 VESA bracket module
PPC-WLAN-A1E	WiFi Module with Antenna Cable 40cm for PPC
PPC-3120-EXPE	Add-on box for PCI or PCIe expansion (include PCI / PCIe riser card)
2070012891	Image WES7P 32-bit Multi V4.12 PPC-3120/3100
2070011967	Image windows XPE WES2009 PPC-3120 V4.3 MUI SA
2070012979	Image WEC7 PPC-3120 V4.00 Eng
96CB-POWER-B-1.8M	Power code 3P CCC(China) 1.8M
98R3612000E	mSATA/CFast to USB card reader
98R3415010E	Front USB on cabinet module with Cable 100cm

\* If you order Wall mount kit / ARM / Desktop stand, please also order PPC-3100-VESAE at the same time.

**I/O**



- A. Mic-in
- B. Line-out
- C. USB 2.0 x 4
- D. 10/100/1000 Mbps Ethernet x 2
- E. VGA Port
- F. DIO Port
- G. RS-232/422/485 x 1
- H. RS-232 x 3
- I. DC Inlet