

# OMNI-215D

15.6" OMNI Modular Touch/ LCD Panel Kit



## Features

- 15.6" (1366 x 768) OMNI Modular Touch/ LCD Kit
- Supports Projected Capacitive Multi Touch or Resistive Touch Screen
- IP65 Compliant Aluminum Front Bezel

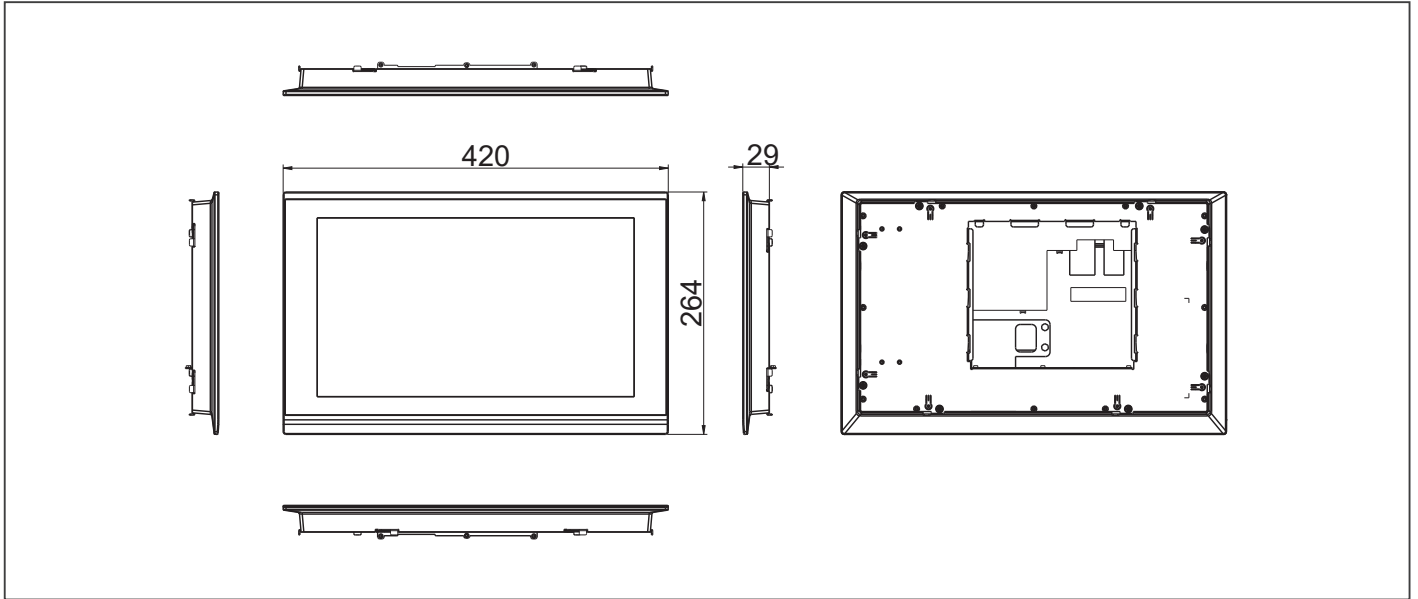


## Specifications

Mechanical	
Construction	Aluminum Front Bezel
Mounting	Panel Mount
Dimension	16.54" x 10.39" x 1.14" (420mm x 264mm x 29mm)
Carton Dimension	20.47" x 17.13" x 7.09" (520mm x 435mm x 180mm)
Gross Weight	11 lb (5 kg)
Environmental	
Operating Temperature	14°F ~ 131°F (-10°C ~ 55°C) with 0.5 m/s airflow
Storage Temperature	-4°F ~ 158°F (-20°C ~ 70°C)
Storage Humidity	90% @40°C; non-condensing
Vibration	1 Grms/ 5~ 500Hz/ operation – with HDD
Shock	15G peak acceleration (11 msec. duration) – with HDD
EMC	CE/FCC Class A
Power Supply	
DC input	—
LCD	
Display Type	15.6" TFT-LCD, LED
Max Resolution	1366 x 768
Max. Colors	16.2M colors
Luminance	400 cd/m <sup>2</sup>
Viewing Angle	160° (H), 140° (V)
Back Light	LED
Back Light MTBF (hours)	50,000
Touch Screen	
Type	P-CAP/ Full-flap resistive
Light Transmission	90%
Others	1. Connect with OMNI-Box Kit 2. Connect with LVDS/USB Type Touch

## Dimension

Unit: mm



## Ordering Information

Part Number	Display Type	Max Resolution	Luminance	View Angle	Backlight MTBF (Hours)	Temp.	Touch	Other
OMNI-215DHTT-KIT-A1-1011	15.6" TFT-LCD	1366 x 768	400 cd/m <sup>2</sup>	160(H), 140(V)	50,000	-10°C ~ 55°C	Full Flat Resistive Touch Screen	Support OMNI CPU BOX kit
OMNI-215DHTT-KIT-A2-1011	15.6" TFT-LCD	1366 x 768	400 cd/m <sup>2</sup>	160(H), 140(V)	50,000	-10°C ~ 55°C	Projective Capacitive Touch	Support OMNI CPU BOX kit

## 21.5" OMNI Modular Touch/ LCD Panel Kit



## Features

- 21.5" (1920 x 1080) OMNI Modular Touch/ LCD Kit
- Supports Projected Capacitive Multi Touch or Resistive Touch Screen
- IP65 Compliant Aluminum Front Bezel

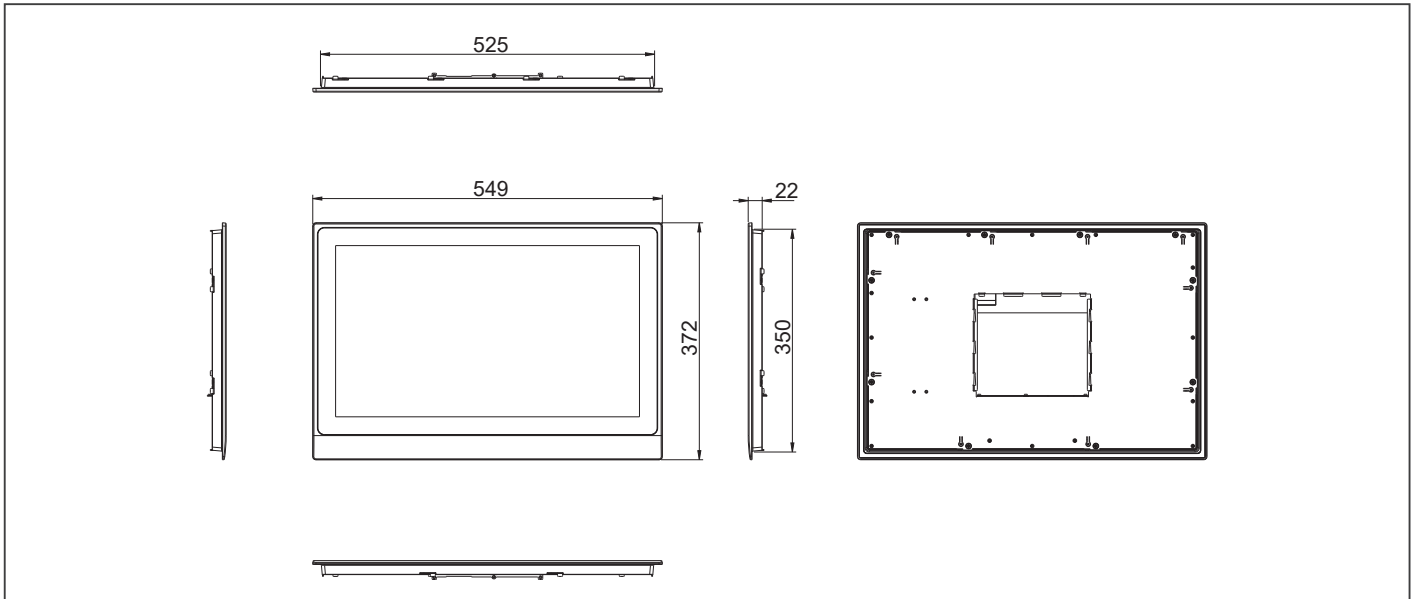


## Specifications

Mechanical	
Construction	Aluminum Front Bezel
Mounting	Panel Mount
Dimension	21.61" x 14.65" x 0.87" (549mm x 372mm x 22mm)
Carton Dimension	26.38" x 7.87" x 20.67" (670mm x 200mm x 525mm)
Gross Weight	11 lb (5 kg)
Environmental	
Operating Temperature	14°F ~ 131°F (-10°C ~ 55°C) with 0.5 m/s airflow
Storage Temperature	-4°F ~ 158°F (-20°C ~ 70°C)
Storage Humidity	90% @40°C; non-condensing
Vibration	1 Grms/ 5~ 500Hz/ operation – with HDD
Shock	15G peak acceleration (11 msec. duration) – with HDD
EMC	CE/FCC Class A
Power Supply	
DC input	—
LCD	
Display Type	21.5" TFT-LCD, LED
Max Resolution	1920 x 1080
Max. Colors	16.7M colors
Luminance	250 cd/m <sup>2</sup>
Viewing Angle	178°(H), 178°(V)
Back Light	LED
Back Light MTBF (hours)	50,000
Touch Screen	
Type	P-CAP/ Full-flap resistive
Light Transmission	90%
Others	1. Connect with OMNI-Box Kit 2. Connect with LVDS/USB Type Touch

## Dimension

Unit: mm



## Ordering Information

Part Number	Display Type	Max Resolution	Luminance	View Angle	Backlight MTBF (Hours)	Temp.	Touch	Other
OMNI-221DHTT-KIT-A1-1011	21.5" TFT-LCD	1920 x 1080	250 cd/m <sup>2</sup>	178(H), 178(V)	50,000	-10°C ~ 55°C	Full Flat Resistive Touch Screen	Support OMNI CPU BOX kit
OMNI-221DHTT-KIT-A2-1012	21.5" TFT-LCD	1920 x 1080	250 cd/m <sup>2</sup>	178(H), 178(V)	50,000	-10°C ~ 55°C	Projective Capacitive Touch	Support OMNI CPU BOX kit

# OMNI-310D

10.4" OMNI Modular Touch/ LCD Panel Kit

OMNI Series : Modular Builder - Panel Kit



## Features

- 10.4" (800 x 600) OMNI Modular Touch/ LCD Kit
- Supports Projected Capacitive Multi Touch or Resistive Touch Screen
- IP65 Compliant Aluminum Front Bezel

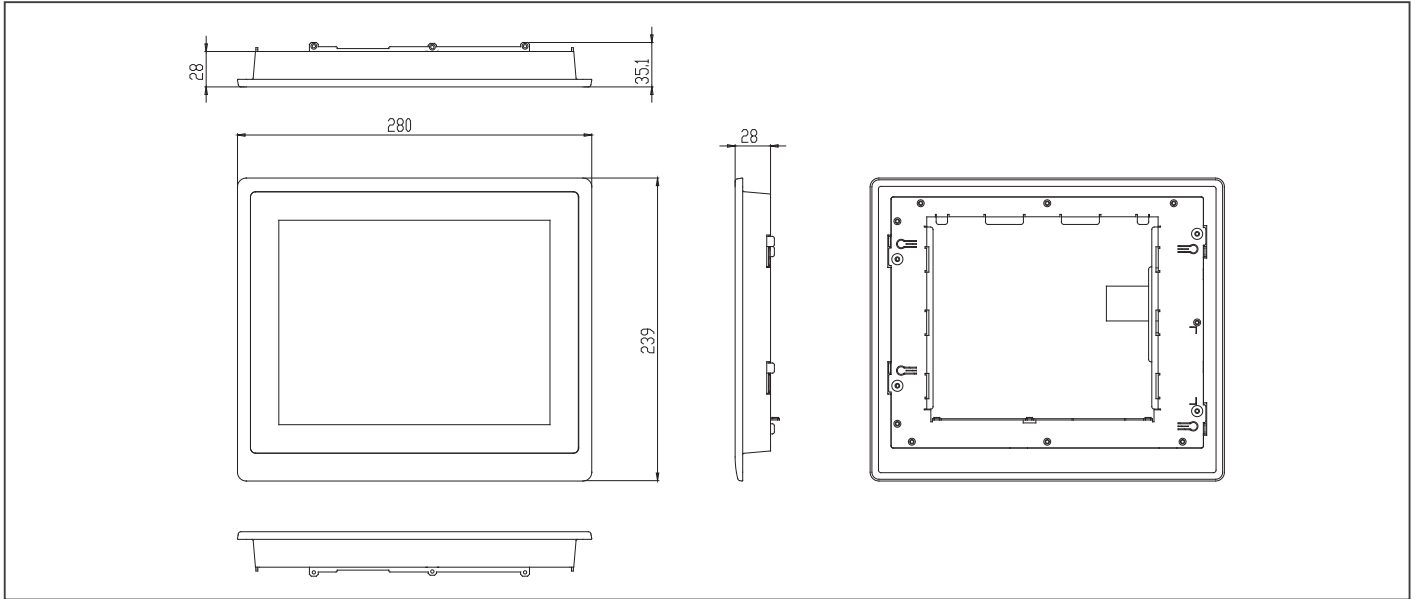


## Specifications

Mechanical	
Construction	Aluminum Front Bezel
Mounting	Panel Mount
Dimension	11.02" x 9.41" x 1.1" (280mm x 239mm x 28mm)
Carton Dimension	16.34" x 7.05" x 15.39" (415mm x 179mm x 391mm)
Gross Weight	3.08 lb (1.4 kg)
Environmental	
Operating Temperature	14°F ~ 131°F (-10°C ~ 55°C) with 0.5 m/s airflow
Storage Temperature	-4°F ~ 158°F (-20°C ~ 70°C)
Storage Humidity	90% @40°C; non-condensing
Vibration	1 Grms/ 5~ 500Hz/ operation – with HDD
Shock	15G peak acceleration (11 msec. duration) – with HDD
EMC	CE/FCC Class A
Power Supply	
DC input	—
LCD	
Display Type	10.4" TFT-LCD, LED
Max Resolution	800 x 600
Max. Colors	16.2M colors
Luminance	230 cd/m <sup>2</sup>
Viewing Angle	120° (H), 100° (V)
Back Light	LED
Back Light MTBF (hours)	50,000
Touch Screen	
Type	P-CAP/ Full-flap resistive
Light Transmission	90%
Others	1. Connect with OMNI-Box Kit 2. Connect with LVDS/ USB Type Touch

## Dimension

Unit: mm



## Ordering Information

Part Number	Display Type	Max Resolution	Luminance	View Angle	Backlight MTBF (Hours)	Temp.	Touch	Other
OMNI-310DHTT-KIT-A1-1011	10.4" TFT-LCD	800 x 600	230 cd/m <sup>2</sup>	120(H), 100(V)	50,000	-10°C ~ 55°C	Full Flat Resistive Touch Screen	Support OMNI CPU BOX kit
OMNI-310DHTT-KIT-A2-1011	10.4" TFT-LCD	800 x 600	230 cd/m <sup>2</sup>	120(H), 100(V)	50,000	-10°C ~ 55°C	Projective Capacitive Touch	Support OMNI CPU BOX kit

## 12.1" OMNI Modular Touch/ LCD Panel Kit



## Features

- 12.1" (1024 x 768) OMNI Modular Touch/ LCD Kit
- Supports Projected Capacitive Multi Touch or Resistive Touch Screen
- IP65 Compliant Aluminum Front Bezel

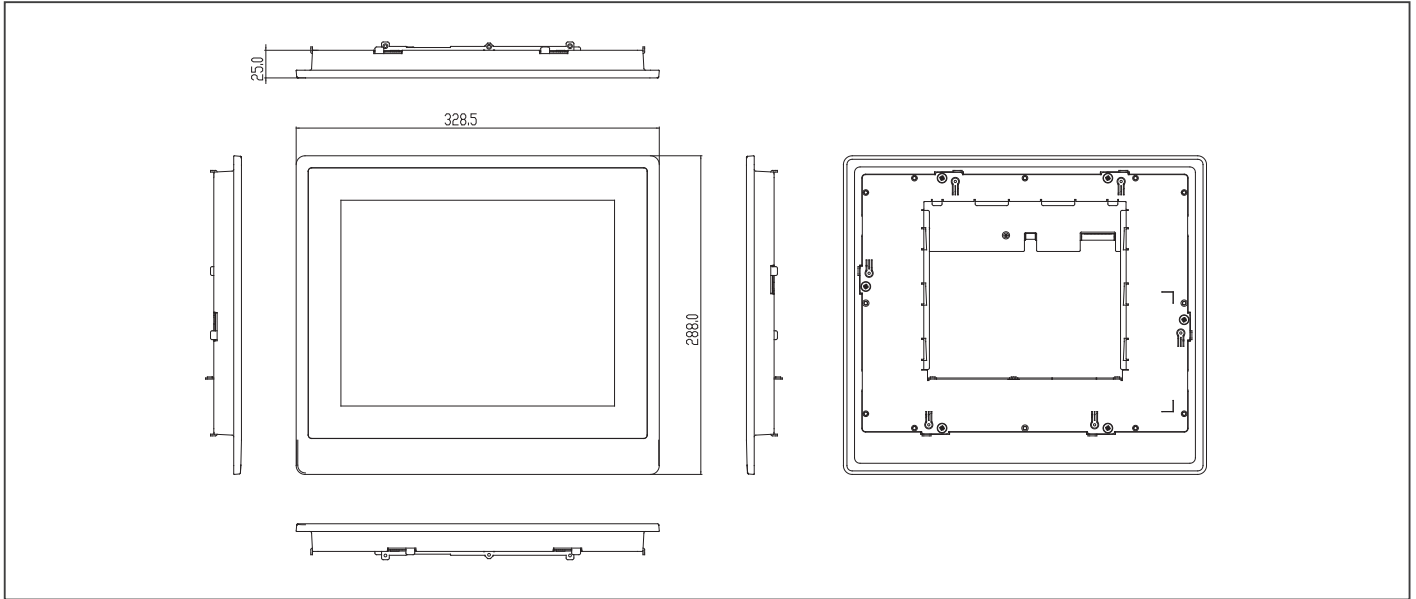


## Specifications

Mechanical	
Construction	Aluminum Front Bezel
Mounting	Panel Mount
Dimension	12.95" x 11.34" x 0.98" (329mm x 288mm x 25mm)
Carton Dimension	20.87" x 17.52" x 7.87" (530mm x 445mm x 200mm)
Gross Weight	4.4 lb (2 kg)
Environmental	
Operating Temperature	14°F ~ 131°F (-10°C ~ 55°C) with 0.5 m/s airflow
Storage Temperature	-4°F ~ 158°F (-20°C ~ 70°C)
Storage Humidity	90% @40°C; non-condensing
Vibration	1 Grms/ 5~ 500Hz/ operation – with HDD
Shock	15G peak acceleration (11 msec. duration) – with HDD
EMC	CE/FCC Class A
Power Supply	
DC input	—
LCD	
Display Type	12.1" TFT-LCD, LED
Max Resolution	1024 x 768
Max. Colors	16.2M colors
Luminance	500 cd/m <sup>2</sup>
Viewing Angle	160°(H), 160°(V)
Back Light	LED
Back Light MTBF (hours)	50,000
Touch Screen	
Type	P-CAP/ Full-flap resistive
Light Transmission	90%
Others	1. Connect with OMNI-Box Kit 2. Connect with LVDS/USB Type Touch

## Dimension

Unit: mm



## Ordering Information

Part Number	Display Type	Max Resolution	Luminance	View Angle	Backlight MTBF (Hours)	Temp.	Touch	Other
OMNI-312DHTT-KIT-A1-1011	12.1" TFT-LCD	1024 x 768	500 cd/m <sup>2</sup>	160(H), 160(V)	50,000	-10°C ~ 55°C	Full Flat Resistive Touch Screen	Support OMNI CPU BOX kit
OMNI-312DHTT-KIT-A2-1011	12.1" TFT-LCD	1024 x 768	500 cd/m <sup>2</sup>	160(H), 160(V)	50,000	-10°C ~ 55°C	Projective Capacitive Touch	Support OMNI CPU BOX kit

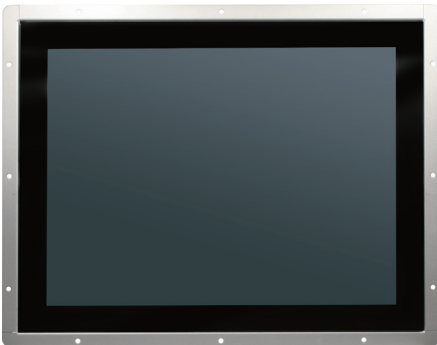


## 12.1" OMNI Modular Open Frame Touch/ LCD Panel Kit

OMNI-3120PD-HTT-KIT-A1-1010



OMNI-3120PD-HTT-KIT-A2/A3-1010



## Features

- 12.1" (1024 x 768) OMNI Modular Open Frame Touch/ LCD Kit
- Supports Projected Capacitive Multi Touch or Full Flat Resistive Touch Screen or 5-wire Resistive Touch Screen

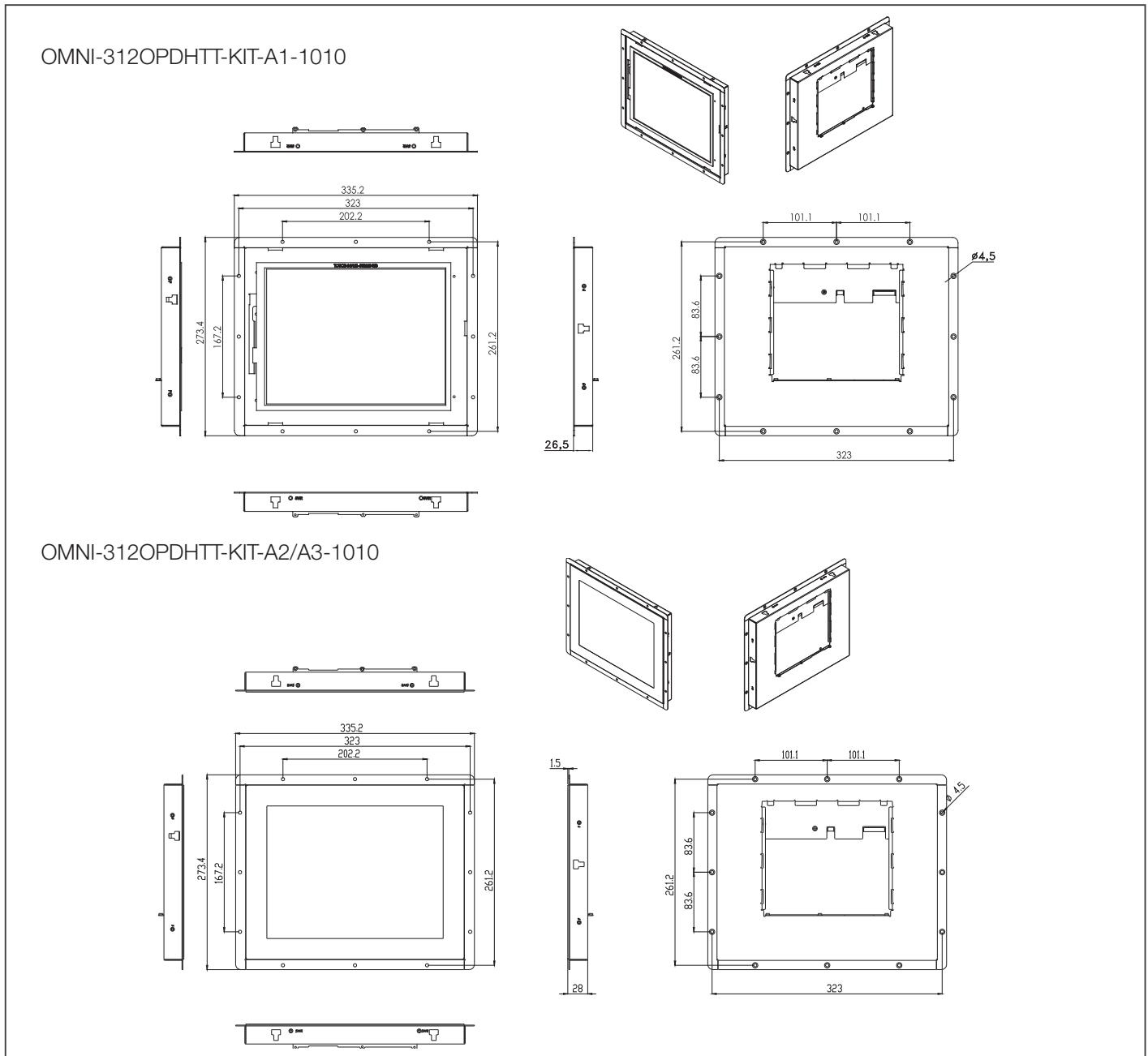


## Specifications

Mechanical	
Construction	Open Frame LCD Kit
Mounting	Panel Mount
Dimension	13.2" x 10.8" x 1.04" (335.2mm x 274.2mm x 26.5mm)
Carton Dimension	20.87" x 17.52" x 7.87" (530mm x 445mm x 200mm)
Gross Weight	4.4 lb (2 kg)
Environmental	
Operating Temperature	14°F ~ 131°F (-10°C ~ 55°C) with 0.5 m/s airflow
Storage Temperature	-4°F ~ 158°F (-20°C ~ 70°C)
Storage Humidity	90% @40°C; non-condensing
Vibration	1 Grms/ 5~ 500Hz/ operation – with HDD
Shock	15G peak acceleration (11 msec. duration) – with HDD
EMC	CE/FCC Class A
Power Supply	
DC input	—
LCD	
Display Type	12.1" TFT-LCD, LED
Max Resolution	1024 x 768
Max. Colors	16.2M colors
Luminance	500 cd/m <sup>2</sup>
Viewing Angle	160°(H), 160°(V)
Back Light	LED
Back Light MTBF (hours)	50,000
Touch Screen	
Type	Projected Capacitive Multi Touch or Full Flat Resistive Touch Screen or 5-wire Resistive Touch Screen
Light Transmission	90%
Others	1. Connect with OMNI-Box Kit 2. Connect with LVDS/USB Type Touch

## Dimension

Unit: mm



## Ordering Information

Part Number	Display Type	Max Resolution	Luminance	View Angle	Backlight MTBF (Hours)	Temp.	Touch	Other
OMNI-3120PDHKT-KIT-A1-1010	12.1" TFT-LCD	1024 x 768	500 cd/m <sup>2</sup>	160°(H), 160°(V)	50,000	-10°C ~ 55°C	5 wire Resistive Touch	Support OMNI CPU BOX kit
OMNI-3120PDHKT-KIT-A2-1010	12.1" TFT-LCD	1024 x 768	500 cd/m <sup>2</sup>	160°(H), 160°(V)	50,000	-10°C ~ 55°C	Full flat Resistive Touch	Support OMNI CPU BOX kit
OMNI-3120PDHKT-KIT-A3-1010	12.1" TFT-LCD	1024 x 768	500 cd/m <sup>2</sup>	160°(H), 160°(V)	50,000	-10°C ~ 55°C	Projective Capacitive Touch	Support OMNI CPU BOX kit

## 15" OMNI Modular Touch/ LCD Panel Kit



## Features

- 15" (1024 x 768) OMNI Modular Touch/ LCD Kit
- Supports Projected Capacitive Multi Touch or Resistive Touch Screen
- IP65 Compliant Aluminum Front Bezel

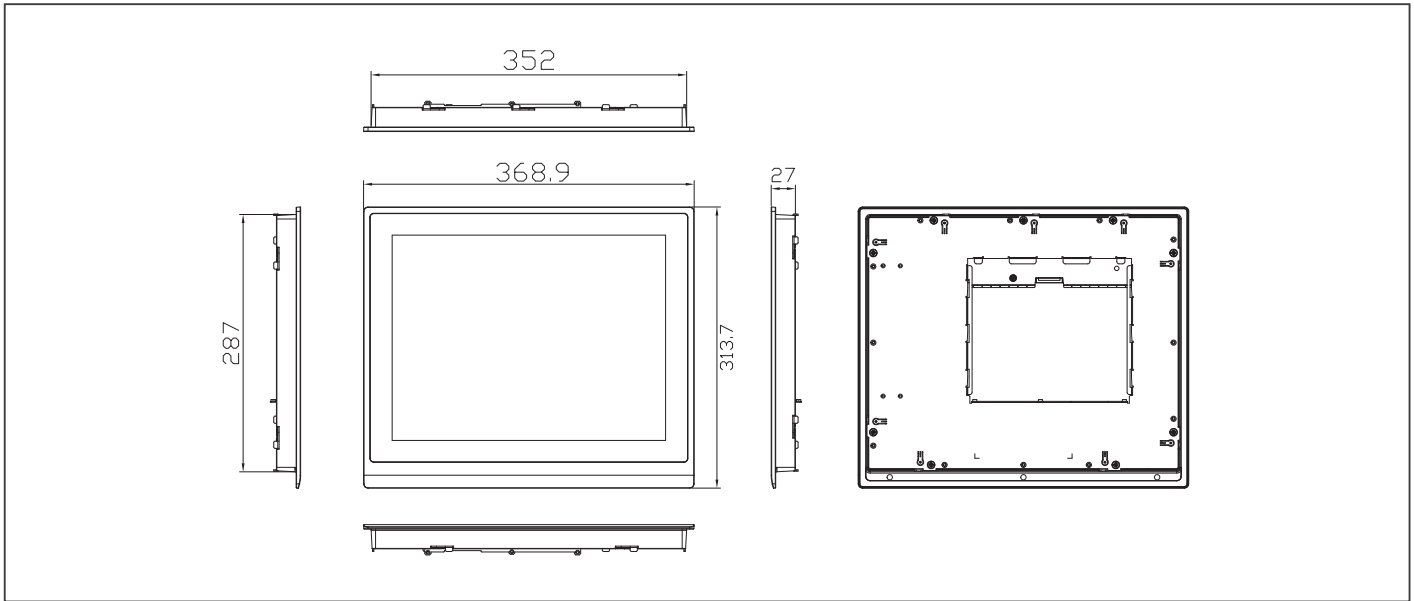


## Specifications

Mechanical	
Construction	Aluminum Front Bezel
Mounting	Panel Mount
Dimension	14.53" x 12.36" x 1.06" (369mm x 314mm x 27mm)
Carton Dimension	20.08" x 9.84" x 18.11" (510mm x 250mm x 460mm)
Gross Weight	11.66 lb (5.3 kg)
Environmental	
Operating Temperature	14°F ~ 131°F (-10°C ~ 55°C) with 0.5 m/s airflow
Storage Temperature	-4°F ~ 158°F (-20°C ~ 70°C)
Storage Humidity	90% @40°C; non-condensing
Vibration	1 Grms/ 5~ 500Hz/ operation – with HDD
Shock	15G peak acceleration (11 msec. duration) – with HDD
EMC	CE/FCC Class A
Power Supply	
DC input	—
LCD	
Display Type	15" TFT-LCD, LED
Max Resolution	1024 x 768
Max. Colors	16.2M (8bit/color)
Luminance	300 cd/m <sup>2</sup>
Viewing Angle	176° (H), 176° (V)
Back Light	LED
Back Light MTBF (hours)	70,000
Touch Screen	
Type	P-CAP/ Full-flap resistive
Light Transmission	90%
Others	1. Connect with OMNI-Box Kit 2. Connect with LVDS/USB Type Touch

## Dimension

Unit: mm



## Ordering Information

Part Number	Display Type	Max Resolution	Luminance	View Angle	Backlight MTBF (Hours)	Temp.	Touch	Other
OMNI-315DHTT-KIT-A1-1012	15" TFT-LCD	1024 x 768	300 cd/m <sup>2</sup>	176° (H), 176° (V)	70,000	-10°C ~ 55°C	Full Flat Resistive Touch Screen	Support OMNI CPU BOX kit
OMNI-315DHTT-KIT-A2-1012	15" TFT-LCD	1024 x 768	300 cd/m <sup>2</sup>	176° (H), 176° (V)	70,000	-10°C ~ 55°C	Projective Capacitive Touch	Support OMNI CPU BOX kit

## 15" OMNI Modular Open Frame Touch/ LCD Panel Kit

OMNI-3150PD-HTT-KIT-A1-1010



OMNI-3150PD-HTT-KIT-A2/A3-1010



## Features

- 15" (1024 x 768) OMNI Modular Open Frame Touch/ LCD Kit
- Supports Projected Capacitive Multi Touch or Full Flat Resistive Touch Screen or 5-wire Resistive Touch Screen

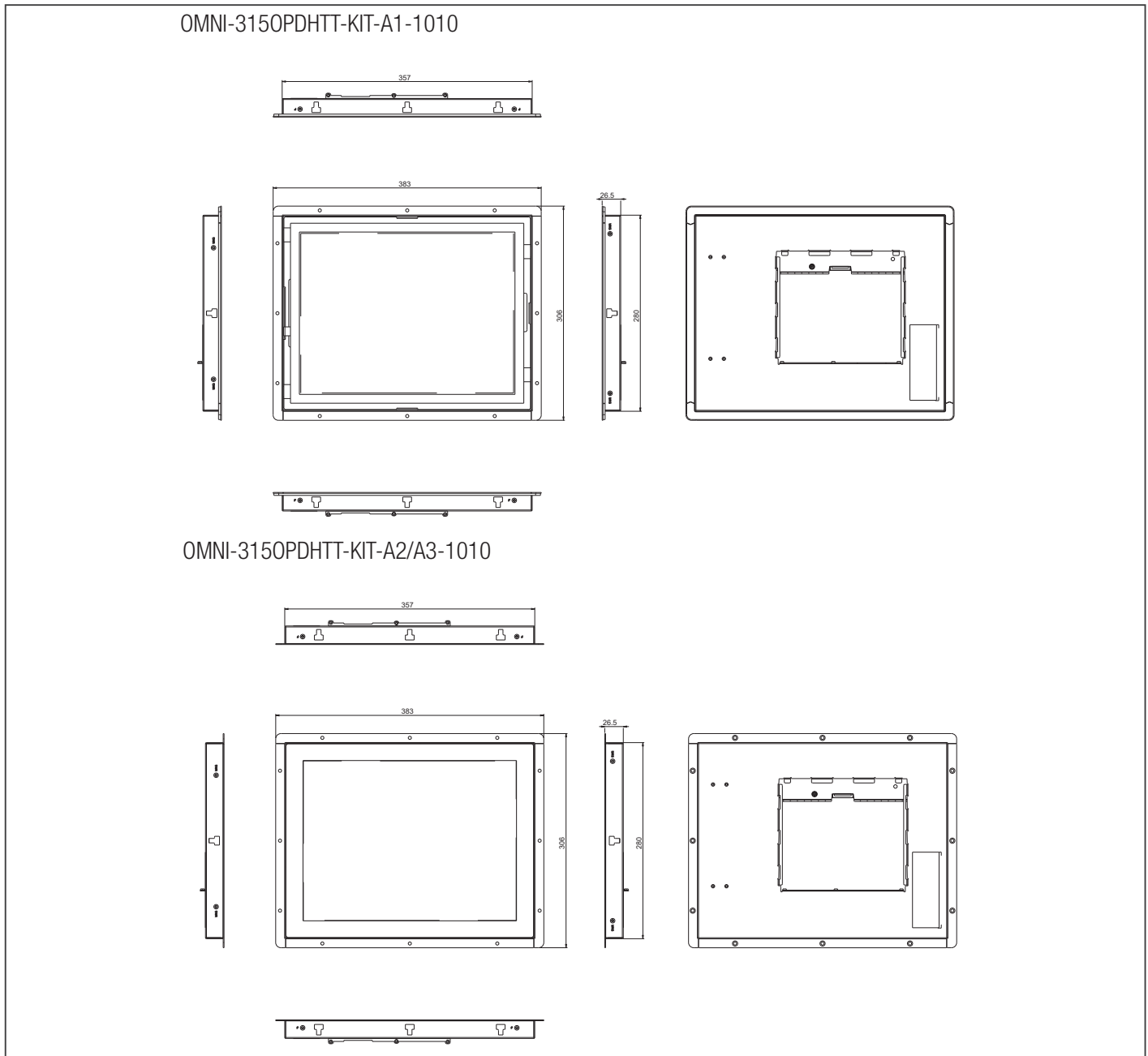


## Specifications

Mechanical	
Construction	Open Frame LCD Kit
Mounting	Panel Mount
Dimension	15.08" x 12.05" x 1.04" (383mm x 306mm x 26.5mm)
Carton Dimension	20.08" x 9.84" x 18.11" (510mm x 250mm x 460mm)
Gross Weight	8.8 lb (4 kg)
Environmental	
Operating Temperature	14°F ~ 131°F (-10°C ~ 55°C) with 0.5 m/s airflow
Storage Temperature	-4°F ~ 158°F (-20°C ~ 70°C)
Storage Humidity	90% @40°C; non-condensing
Vibration	1 Grms/ 5~ 500Hz/ operation – with HDD
Shock	15G peak acceleration (11 msec. duration) – with HDD
EMC	CE/FCC Class A
Power Supply	
DC input	—
LCD	
Display Type	15" TFT-LCD, LED
Max Resolution	1024 x 768
Max. Colors	16.2M (8bit/color)
Luminance	300 cd/m <sup>2</sup>
Viewing Angle	176° (H), 176° (V)
Back Light	LED
Back Light MTBF (hours)	70,000
Touch Screen	
Type	Projected Capacitive Multi Touch or Full Flat Resistive Touch Screen or 5-wire Resistive Touch Screen
Light Transmission	90%
Others	1. Connect with OMNI-Box Kit 2. Connect with LVDS/USB Type Touch

## Dimension

Unit: mm



## Ordering Information

Part Number	Display Type	Max Resolution	Luminance	View Angle	Backlight MTBF (Hours)	Temp.	Touch	Other
OMNI-3150PDHTT-KIT-A1-1011	15" TFT-LCD	1024 x 768	300 cd/m <sup>2</sup>	176° (H), 176° (V)	70,000	-10°C ~ 55°C	5 wire Resistive Touch	Support OMNI CPU BOX kit
OMNI-3150PDHTT-KIT-A2-1011	15" TFT-LCD	1024 x 768	300 cd/m <sup>2</sup>	176° (H), 176° (V)	70,000	-10°C ~ 55°C	Full flat Resistive Touch	Support OMNI CPU BOX kit
OMNI-3150PDHTT-KIT-A3-1011	15" TFT-LCD	1024 x 768	300 cd/m <sup>2</sup>	176° (H), 176° (V)	70,000	-10°C ~ 55°C	Projective Capacitive Touch	Support OMNI CPU BOX kit

# OMNI-317D

17" OMNI Modular Touch/ LCD Panel Kit

OMNI Series : Modular Builder - Panel Kit



## Features

- 17" (1280 x 1024) MNI Modular Touch/ LCD Kit
- Supports Projected Capacitive Multi Touch or Resistive Touch Screen
- IP65 Compliant Aluminum Front Bezel

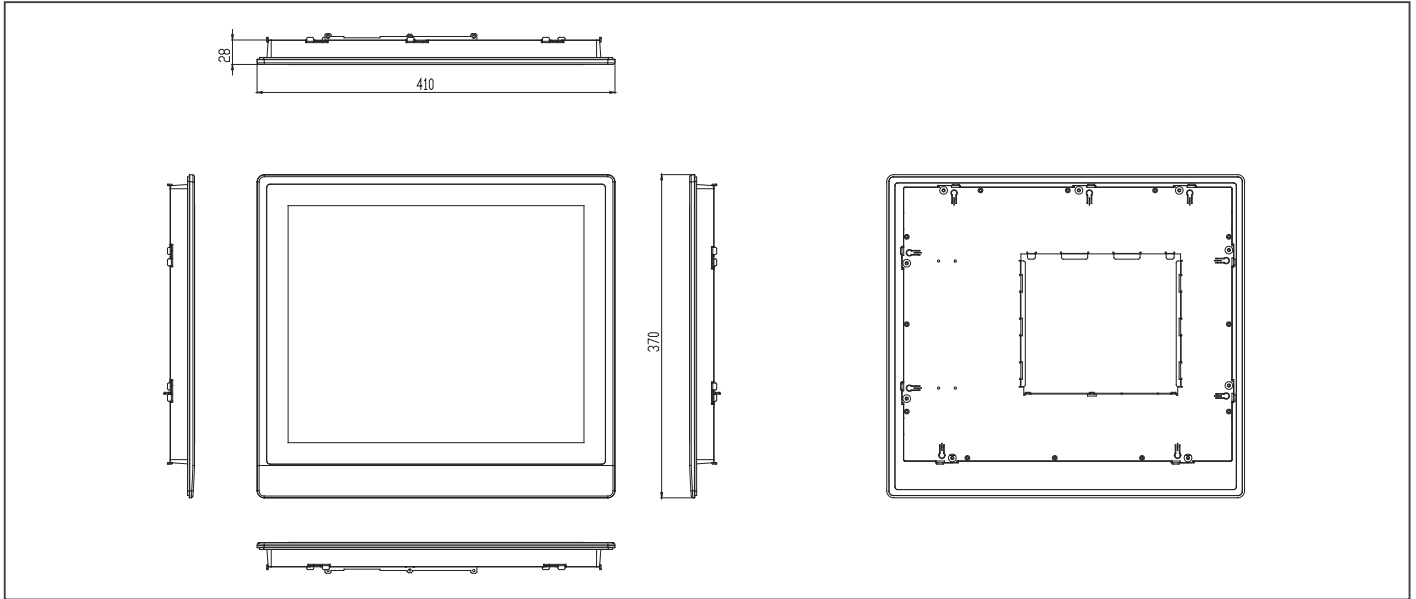


## Specifications

Mechanical	
Construction	Aluminum Front Bezel
Mounting	Panel Mount
Dimension	16.14" x 14.57" x 1.1" (410mm x 370mm x 28mm)
Carton Dimension	20.47" x 10.32" x 19.29" (522mm x 262mm x 490mm)
Gross Weight	8.8 lb(4 kg)
Environmental	
Operating Temperature	14°F ~ 131°F (-10°C ~ 55°C) with 0.5 m/s airflow
Storage Temperature	-4°F ~ 158°F (-20°C ~ 70°C)
Storage Humidity	90% @40°C; non-condensing
Vibration	1 Grms/ 5~ 500Hz/ operation – with HDD
Shock	15G peak acceleration (11 msec. duration) – with HDD
EMC	CE/FCC Class A
Power Supply	
DC input	—
LCD	
Display Type	17" TFT-LCD, LED
Max Resolution	1280 x 1024
Max. Colors	16.7M colors
Luminance	350 cd/m <sup>2</sup>
Viewing Angle	170° (H), 160° (V)
Back Light	LED
Back Light MTBF (hours)	50,000
Touch Screen	
Type	P-CAP/ Full-flap resistive
Light Transmission	90%
Others	1. Connect with OMNI-Box Kit 2. Connect with LVDS/USB Type Touch

## Dimension

Unit: mm



## Ordering Information

Part Number	Display Type	Max Resolution	Luminance	View Angle	Backlight MTBF (Hours)	Temp.	Touch	Other
OMNI-317DHTT-KIT-A1-1012	17" TFT-LCD	1280 x 1024	350 cd/m <sup>2</sup>	170(H), 160(V)	50,000	-10°C ~ 55°C	Full Flat Resistive Touch Screen	Support OMNI CPU BOX kit
OMNI-317DHTT-KIT-A2-1011	17" TFT-LCD	1280 x 1024	350 cd/m <sup>2</sup>	170(H), 160(V)	50,000	-10°C ~ 55°C	Projective Capacitive Touch	Support OMNI CPU BOX kit



## 19" OMNI Modular Touch/ LCD Panel Kit



## Features

- 19" (1280 x 1024) OMNI Modular Touch/ LCD Kit
- Supports Projected Capacitive Multi Touch or Resistive Touch Screen
- IP65 Compliant Aluminum Front Bezel

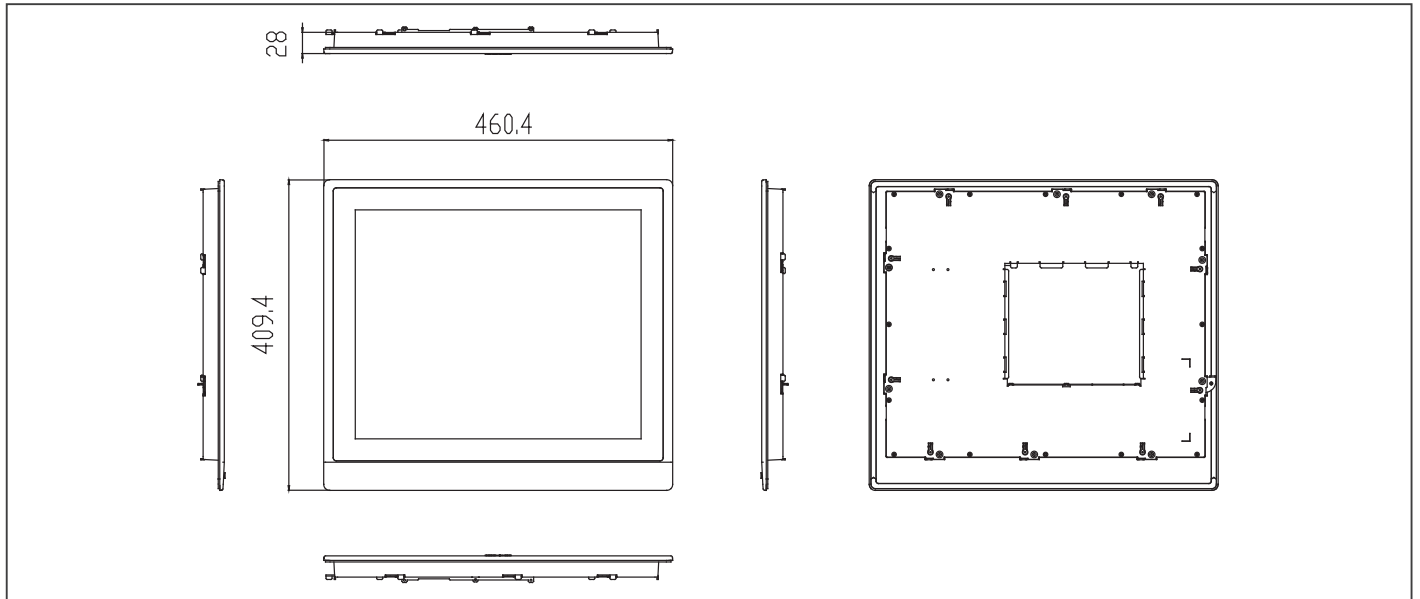


## Specifications

Mechanical	
Construction	Aluminum Front Bezel
Mounting	Panel Mount
Dimension	18.13" x 16.12" x 1.1" (460.4mm x 409.4mm x 28mm)
Carton Dimension	26.02" x 8.11" x 19.53" (661mm x 206mm x 496mm)
Gross Weight	11 lb (5 kg)
Environmental	
Operating Temperature	14°F ~ 131°F (-10°C ~ 55°C) with 0.5 m/s airflow
Storage Temperature	-4°F ~ 158°F (-20°C ~ 70°C)
Storage Humidity	90% @40°C; non-condensing
Vibration	1 Grms/ 5~ 500Hz/ operation – with HDD
Shock	15G peak acceleration (11 msec. duration) – with HDD
EMC	CE/FCC Class A
Power Supply	
DC input	—
LCD	
Display Type	19" TFT-LCD, LED
Max Resolution	1280 x 1024
Max. Colors	16.7M colors
Luminance	350 cd/m <sup>2</sup>
Viewing Angle	170°(H), 160°(V)
Back Light	LED
Back Light MTBF (hours)	50,000
Touch Screen	
Type	P-CAP/ Full-flap resistive
Light Transmission	90%
Others	1. Connect with OMNI-Box Kit 2. Connect with LVDS/USB Type Touch

## Dimension

Unit: mm



## Ordering Information

Part Number	Display Type	Max Resolution	Luminance	View Angle	Backlight MTBF (Hours)	Temp.	Touch	Other
OMNI-319DHTT-KIT-A1-1012	19" TFT-LCD	1280 x 1024	350 cd/m <sup>2</sup>	170(H), 160(V)	50,000	-10°C ~ 55°C	Full Flat Resistive Touch Screen	Support OMNI CPU BOX kit
OMNI-319DHTT-KIT-A2-1011	19" TFT-LCD	1280 x 1024	350 cd/m <sup>2</sup>	170(H), 160(V)	50,000	-10°C ~ 55°C	Projective Capacitive Touch	Support OMNI CPU BOX kit