

### KEY FEATURES

- NVIDIA P3000, 3.9 TFLOPS GPGPU Engine
- Up to two 3G-SDI inputs and two 3G-SDI outputs
- Up to two analog inputs and/or outputs
- 6 GB GDDR5 memory
- Operating power configurable hard cap: 40 – 85W

### ADDITIONAL FEATURES

- Additional outputs: DisplayPort 1.4, HDMI 2.0b, DVI
- DisplayPort 1.4 digital video outputs:
  - support for High Dynamic Range (HDR) video
  - 4K at 120Hz or 5K at 60Hz with 10-bit color depth
- Pascal GPGPU parallel processing:
  - 1280 CUDA® cores
  - CUDA Toolkit 9, CUDA Compute version 6.1
  - OpenCL™ 1.2, DirectX® 12, OpenGL 4.5
  - Vulkan 1.0
- Memory width: 192-bit
- Maximum memory bandwidth: 168 GB/s
- NVENC/NVDEC accelerator for HEVC (H.265) and AVC (H.264) hardware encode/decode
- PCIe x8 Gen3

### SPECIFICATIONS

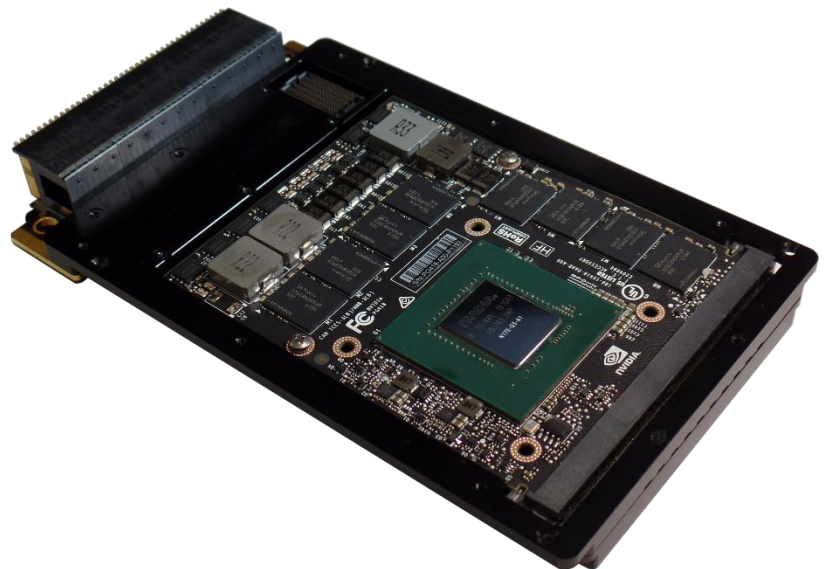
- High level of ruggedization:
  - Rugged air-cooled or conduction-cooled
  - Operating temperature: -40° to +71°C
  - Vibration (sine wave): 5G peak, 5 - 2000Hz
  - Shock: 20G peak
- Front I/O and Rear I/O configurations
- Windows and Linux drivers
- Supported VPX configurations:
  - VPX-REDI (ANSI/VITA 48.x)
  - OpenVPX (ANSI/VITA 65)

### OVERVIEW

WOLF's versatile Video Processing Unit (VPU) board includes both an advanced NVIDIA Quadro Pascal GPU and WOLF's Frame Grabber eXtreme (FGX). This board accepts multiple simultaneous inputs, including 3G-SDI, CVBS or optionally STANAG 3350. The video data can be routed to the powerful Pascal GPU for processing or encoding, and then output in several formats, including 3G-SDI, CVBS or optionally STANAG 3350, DisplayPort, HDMI or DVI.

The WOLF Frame Grabber eXtreme (FGX) is the engine that provides the board with conversion of video data from one standard to another, with a wide array of video input and output options for both cutting-edge digital I/O and legacy analog I/O. The FGX has direct memory access (DMA) to the Quadro Pascal's GPU memory for GPU processing and complex analysis. By including both the versatile FGX and a high performance Quadro Pascal GPU on one board WOLF's I/O and processing solution avoids the SBC data rebroadcast traffic jams that commonly occur with a 2-board solution.

For additional options contact WOLF to discuss



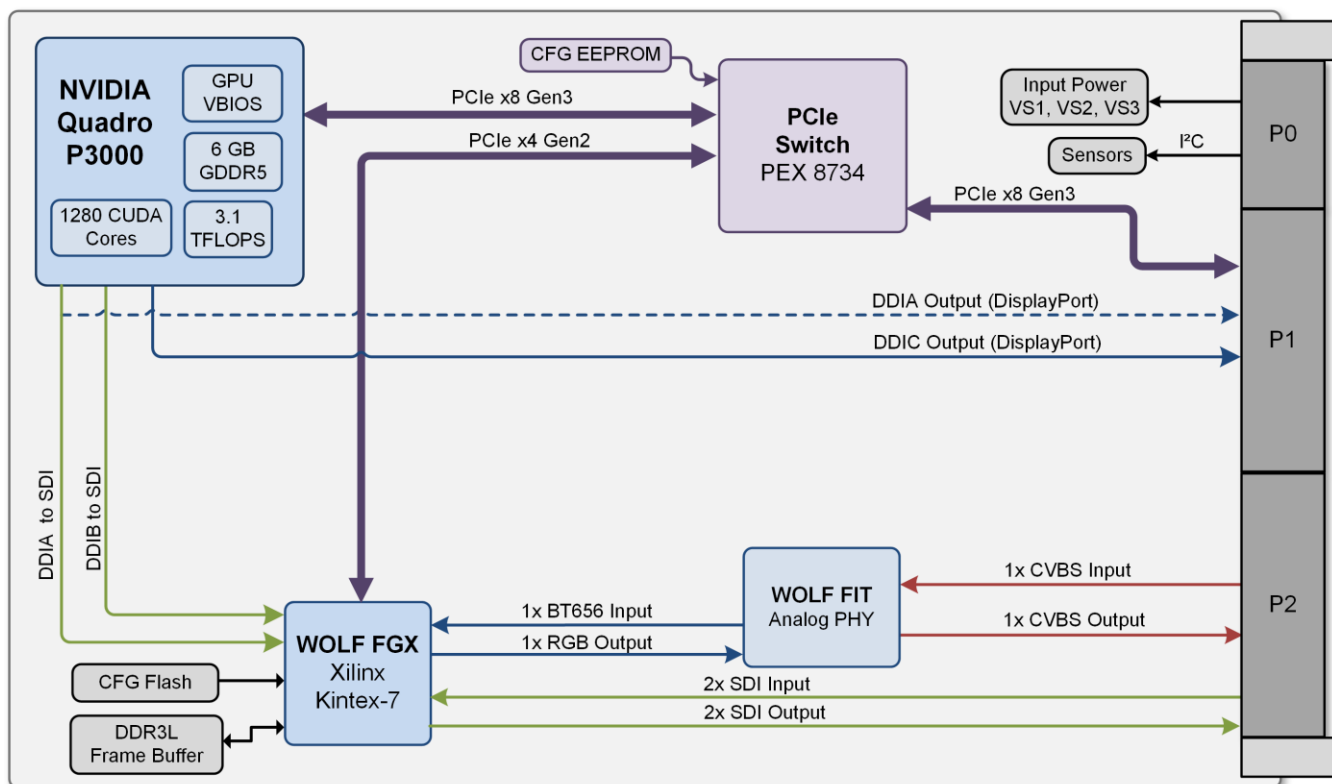
**WOLF- 1110 VPX Module**

## NVIDIA QUADRO PASCAL P3000

Quadro Pascal P3000 is an enormous leap in processing capability compared to the previous generation Maxwell M3000SE. It can provide up to 3.9 TFLOPS of CUDA processing at a modest operating power, providing 52 GFLOPS/Watt, making it an excellent choice for aerospace and defense applications.

Quadro Pascal architecture provides a more powerful Unified Memory feature. Pascal's larger virtual memory address space enable GPUs to access the entire system memory plus the memory of all GPUs in the system, while the on-demand page migration engine allows the system to migrate pages from anywhere in the system to the GPU's memory for processing. This improved memory handling results in significantly improved algorithm efficiency.

### VPX3U-P3000-SDI-2IO



- Inputs and Outputs:
- Up to 2x 3G-SDI Inputs
  - Up to 2x 3G-SDI Outputs
  - CVBS Inputs & Outputs, STANAG 3350 optional: options for 1x Input & 1x Output (as shown), 2x Input only, 2x Output only
  - Additional Outputs: 1x DisplayPort, HDMI, Single Link DVI; optional 2<sup>nd</sup> output

## ORDERING CODES FOR VPX3U-P3000-SDI-2IO

Part Number	Description
111023-F3*0*VPX3v10	VPX 3U, Air Cooled, NVIDIA Quadro P3000, 3.9 TFLOPS, 6GB GDDR5, 1280 CUDA Cores, 2xSDI IN, 2xSDI OUT, additional I/O for Display Port* and CVBS*, PCIE x8 Gen3, I-Temp (-40C to +71C System Dependent)
111033-F3*0*VPX3v10	VPX 3U, Conduction Cooled, NVIDIA Quadro P3000, 3.9 TFLOPS, 6GB GDDR5, 1280 CUDA Cores, 2xSDI IN, 2xSDI OUT, additional I/O for Display Port* and CVBS*, PCIE x8 Gen3, I-Temp (-40C to +71C System Dependent)

\* Contact Sales for full part number definition and options that can include Conformal Coating, Modified Power Cap, PCIe configuration, Digital I/O config, Analog I/O config, and more.

## MANUFACTURING AND QUALITY ASSURANCE

WOLF stress tests to MIL-STD-810 (United States Military Standard for Environmental Engineering Considerations and Laboratory Tests) and MIL-HDBK-217 (Reliability Prediction of Electronic Equipment); Alternately will stress test to RTCA

WOLF products meet the following quality standards:

- ISO 9001 (Quality management systems - Requirements)
- IPC-A-610 CLASS 3 (Acceptability of Electronic Assemblies)
- IPC 6012 CLASS 3 (Qualification and Performance Specification for Rigid Printed Boards, Class 3 for High Reliability Electronic Products)
- IPC J-STD-001 Certified (Requirements for Soldered Electrical and Electronic Assemblies)

Boards are manufactured to meet the following standards:

- SAE AS9100D (Quality Management System - Requirements for Aviation, Space and Defense Organizations)
- SAE AS5553 (Counterfeit Electronic Parts; Avoidance, Detection, Mitigation, and Disposition)

*Caveat: integrated third party MXM modules may not*



**WOLF- 1110 VPX Module**