

# VPX3U-E8860-SDI-4IO

## AMD RADEON E8860 VIDEO PROCESSING UNIT WITH 4 SDI INPUT / OUTPUT

### KEY FEATURES

- AMD Radeon™ E8860 28nm GPU
- up to 4x 3G-SDI outputs
- up to 4x 3G-SDI inputs
- up to 4x analog inputs and/or outputs
- Dynamic power management (DPM) with real-time control from 15 to 45 Watts

### ADDITIONAL FEATURES

- Optional: additional output types: DisplayPort, HDMI, DVI, RGBVH, CVBS, STANAG 3350
- 2GB GDDR5 memory, 128-bit
- Advanced GPGPU capabilities for parallel processing:
  - 768 GFLOPs single-precision
  - OpenCL™ 1.2, DirectCompute 11.1
  - DirectX® 11.1, OpenGL 4.2
- PCIe x8 Gen3
- H.264 hardware accelerated encoding (VCE) and decoding (UVD)

### SPECIFICATIONS

- High level of ruggedization
  - MIL-STD-810, IPC 6012 Class-3
  - 40° to +85°C operating temperature
  - 40g, 11ms shock
  - 0.2g<sup>2</sup>/Hz@ 5 - 2000Hz vibration
  - Conduction-cooled or Rugged air-cooled
- Windows and Linux drivers
- RTOS drivers : VxWorks, Integrity, LynxOS, and other are available upon request
- VPX 3U form factor: 160x100 mm
- Supported VPX configurations:
  - VPX-REDI (ANSI/VITA 48.x)
  - OpenVPX (ANSI/VITA 65)

### OVERVIEW

The VPX3U-E8860-SDI-4IO is a WOLF Video Processing Unit (VPU) VPX board which includes both WOLF's Frame Grabber eXtreme (FGX) and an advanced AMD E8860 GPU. The FGX provides conversion of video data from one standard to another, allowing this board to support eight simultaneous SDI I/O, including up to four 3G-SDI inputs and four 3G-SDI outputs. The board also supports CVBS/STANAG, DisplayPort 1.2, HDMI, and DVI.

This board has a highly efficient operating power which is dynamically controllable from 15 to 45 Watts.

WOLF's FGX has direct memory access (DMA) to the E8860 GPU's memory for GPU processing and complex analysis. By including both the FGX and the GPU on one board WOLF has designed a powerful and flexible solution which eliminates the SBC data rebroadcast traffic jams that commonly occur with a 2-board solution.

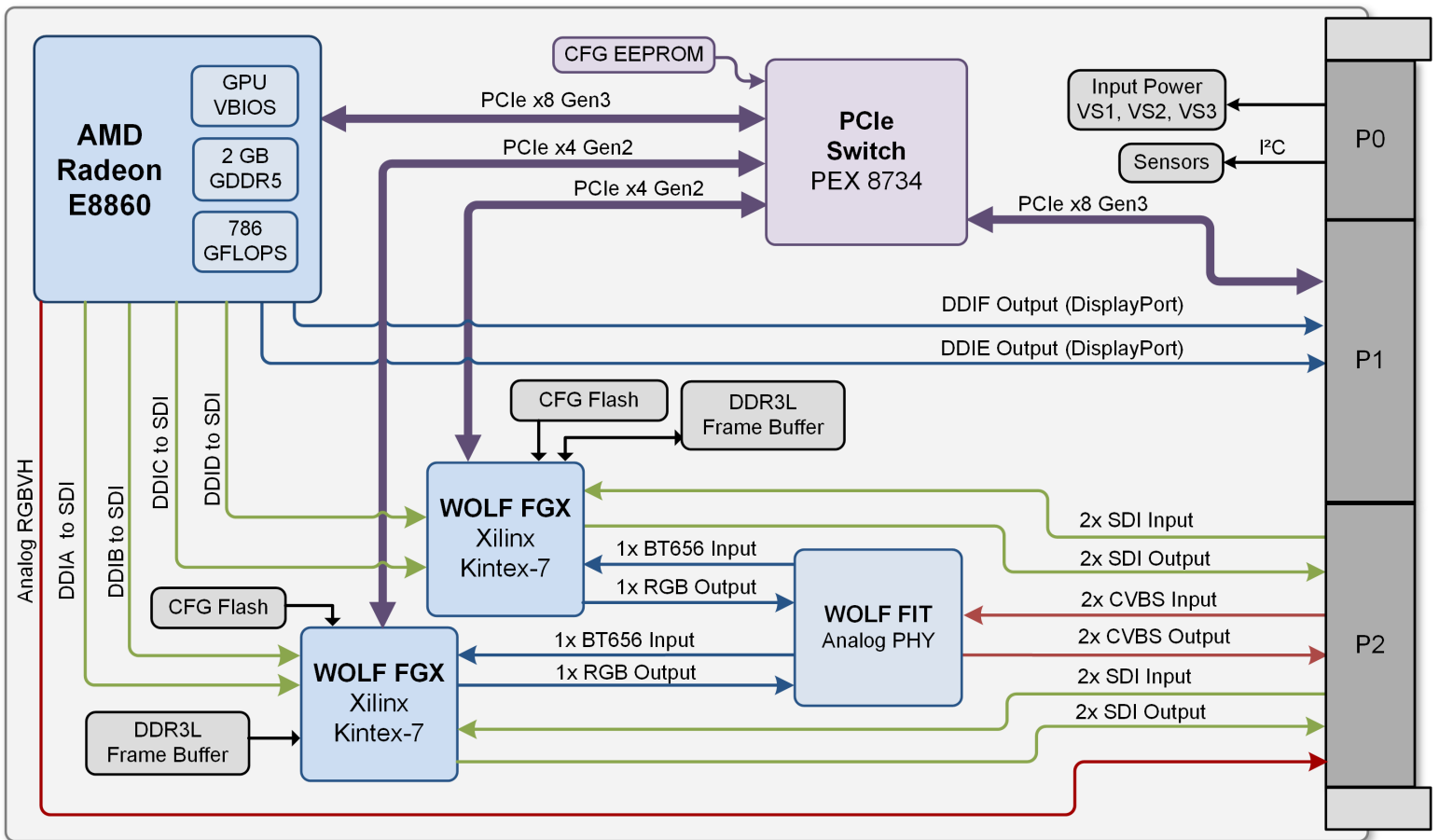
For additional options contact WOLF to discuss MCOTS and custom design services.



**WOLF-1010 VPX Module**



**VPX3U-E8860-SDI-4IO**



- Inputs and Outputs:
- Up to 4x 3G-SDI Inputs
  - Up to 4x 3G-SDI Outputs
  - CVBS Inputs & Outputs, STANAG 3350 optional: options for 2x Inputs & 2x Outputs (as shown), 4x Input only, 4x Output only
  - Optional Outputs: DisplayPort, HDMI, Single Link DVI

**WOLF-1010 VPX Module**