

ITA-3650N

Intel 6th & 7th Generation Desktop Processor Fanless System for Highway Surveillance Application

NEW



Features

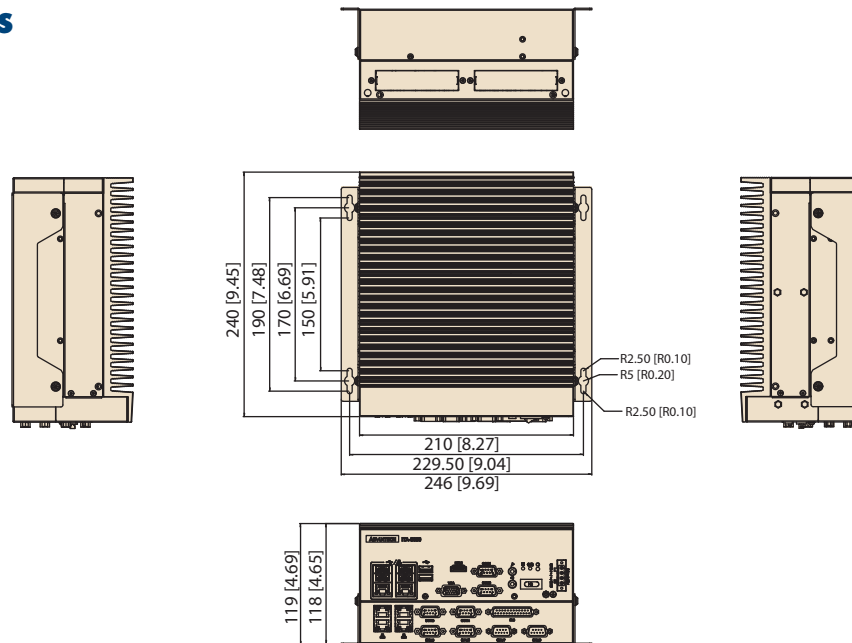
- Intel 6th & 7th Generation Desktop Processor with H110 PCH
- On board 8GB DDR4, optional on board 16G max to 32GB with SO-DIMM and optional NVRAM
- Supports 6 x GbE, 6 x USB, 8 x COM ports, 24 bit DIO
- Support 2 x 2.5" storage bay & 1 x mSATA
- Support wide temperature -25 ~ 60 °C
- Supports 9 ~ 36V wide range DC input

Specifications

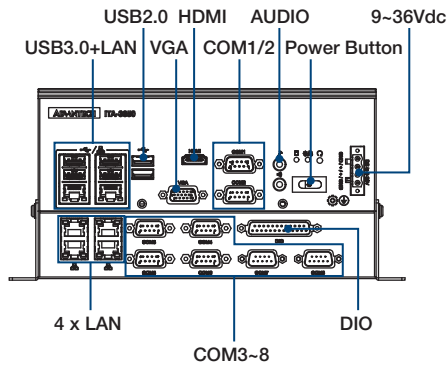
Processor System	CPU	G3900TE	G4400TE	i3-6100TE	i5-6500TE	i7-6700TE	i3-6100	i5-6500	i7-6700	
	Processor Base Frequency	2.30 GHz	2.40 GHz	2.70 GHz	2.30 GHz	2.40 GHz	3.70 GHz	3.20 GHz	3.40 GHz	
	L2 Cache	2M	3M	4M	6M	8M	3M	6M	8M	
	Core Number	2	2	2	4	4	2	4	4	
	TDP	35W	35W	35W	35W	35W	51W	65W	65W	
	Chipset	H110								
	Operating Temperature	51/65W: -25 ~ 50 °C (with industry SSD) 35W: -25 ~ 60 °C (with industry SSD)								
Processor System	CPU	G3930TE	i3-7101TE	i5-7500T	i7-7700T	i3-7101E	i5-7500	i7-7700		
	Processor Base Frequency	2.70 GHz	3.40 GHz	2.70 GHz	2.9 GHz	3.90 GHz	3.40 GHz	3.60 GHz		
	L2 Cache	2M	3M	6M	8M	3M	6M	8M		
	Core Number	2	2	4	4	2	4	4		
	TDP	35W	35W	35W	35W	54W	65W	65W		
	Chipset	H110								
	Operating Temperature	-25 ~ 50 °C (with industry SSD)								
Memory	Technology	Dual-channel DDR4 2133 MHz (without ECC)								
	Capacity	On board 8GB DDR4, optional on board 16G max to 32GB with SO-DIMM								
Graphics	Controller	Intel® HD Graphics 630/610/530/510								
	VGA	1 x DB15, max resolution up to 1920 x 1080 @ 60Hz								
	HDMI	1 x HDMI, support HDMI1.4 standard, max to 3840 x 2160 @ 30Hz								
	DP	Box Header on board								
	Display Option	Dual Display: VGA+HDMI								
Ethernet	Interface	10/100/1000 Mbps								
	Controller	1 x Intel® I210; 1 x IWGI219LM: 4 x Intel® I211								
	Connector	6 x RJ-45								
Storage	Internal	1 x mSATA socket								
	External	2 x 2.5" storage bay								
I/O	Main Display	VGA								
	Second Display	HDMI								
	SATA	2 x SATA								
	USB	4 x USB3.0 & 2 x USB2.0								
	LAN	6 x RJ45								
	Serial Port	8 x DB9 (RS232/422/485 with automatic flow control)								
	DIO	1 x DB25, 24bit								
	Audio	1 x Speaker out with 8W amplifier, 1 x Mic-in								
	Expansion Slot	Mini PCIe								
Power	Input Voltage	9 ~ 36V DC								
	Output	System reset								
Watchdog Timer	Interval	Programmable 1~255 sec/min								
Environment	Operating Temperature	Industry SSD: max to -25 ~ 60 °C								
	Storage Temperature	-40 ~ 85 °C								
Mechanical Features	Dimension (W x H x D)	210 x 118 x 240 mm								
	Install	Wall mount bracket								
Certifications	EMC	CE/FCC, CCC, BSMI								
	Safety	UL, CCC, BSMI								
OS	Windows	Windows 7 & 10 for Skylake; Windows 10 for Kabylake								
	Linux	ubuntu & Fedora								

Dimensions

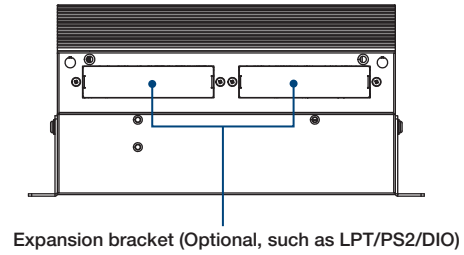
Unit: mm [inch]



Front View



Rear View



Ordering Information

Part Number	Onboard Memory	VGA	HDMI	USB3.0+USB2.0	LAN	DIO	COM	SATA	MSATA
ITA-3650N-00A1	8GB DDR3	1	1	4+2	6	1	8	2	1

Packing List

Part No.	Description
-	ITA-3650
1960090661N001	2 x Supporting-angels
1652003234	1 x 4-pin Terminal Block

Optional Accessory

Part No.	Description
96PSA-A220W24P4-1	ADP A/D 100-240V 220W 24V C14 TERMINAL BLOCK 4P
96PSA-A150W19P4-1	ADP A/D 100-240V 150W 19V C14 TERMINAL BLOCK 4P
1702002600	Power Cord UL 3P 10A 125V 183cm
1702002605-01	Power Cord EU 3P 10A 250V 183cm
1702031801	Power Cord BSI 3P 10A 250V 183cm
1700000596-11	Power Cord CCC 3P 10A 250V 183cm