

# UNO-3283G / 3285G

## Intel® Core™ i7/ i5/ i3 Automation Computer with 2/4 PCI(e) Expansion Slots, 2 x GbE, 2 x mPCIe, HDMI, DVI-I

**NEW**



UNO-3283G

UNO-3285G



### Features

- Intel® 6th Gen Core™ i7-6822EQ/ i5-6442EQ/ i5-6440EQ/ i3-6102E Processors with 8GB DDR4 memory
- 2 x GbE, 6 x USB 3.0, 2 x RS-232/422/485, 2 x RS-232 (pin header), 1 x DVI-I, 1 x HDMI
- UNO-3283G: 1 x PCIe x16, 1x PCI, 2 x mPCIe (2 x full), 1x CFast slot, 1 x mSATA slot (optional)
- UNO-3285G: 2 x PCIe x8, 2 x PCI, 2 x mPCIe (2 x full), 1x CFast, slot, 1 x mSATA slot (optional)
- Dual Hot-Swappable storage with thumb screw support for RAID 0/1
- Supports Fieldbus protocol by iDoor technology
- Dual power input for power redundancy
- Optional ECC RAM with selected RAM module
- Front LED indicator design for monitoring system status

### Introduction

The high-performance fanless control cabinet PC UNO-3283G/ 3285G equipped with a Intel® 6th Gen Core™ i7/ i5/ i3 processor and QM170 PCH chipset, rich I/O including 6 x USB 3.0, 2 x GigaLAN, 2 x RS-232/422/485, and 2 x RS-232 (pin header) ports, as well as DVI-I and HDMI display interfaces, UNO-3283G/ 3285G is designed to deliver high-performance computing and maximum flexibility for industrial automation applications. The provision of two hot-swappable HDD/SSD bays and up to 5 expansion slots (2 x PCIe x8, 2 x PCI) supports the integration of modular peripherals and ensures flexible installation in diverse cabinet configurations. In addition to an exchangeable RTC battery that can be accessed via the removable top cover for convenient maintenance, the system features dual power inputs that ensure a stable power supply.

### Specifications

#### General

- Certification** CE, UL, CCC, FCC, BSMI
- Dimensions (W x D x H)** UNO-3283G: 142 x 238 x 177 mm (5.6" x 9.4" x 7")  
UNO-3285G: 182 x 238 x 177 mm (7.2" x 9.4" x 7")
- Form Factor** Regular Size
- Mounting** Wall mount, Stand mount, Enclosure mount
- Weight (Net)** 4kg (2.2 lbs)/ 4.5kg (9.9 lbs)
- Power Requirements** 10-36 V<sub>DC</sub>
- Power Consumption** 90W (Typical @ 24V); 133W (Max. @ 24V)
- OS Support** WIN7/8, WES7, Win10 Ent. LTSB, AdvLinuxTU

#### System Hardware

- BIOS** AMI UEFI 128Mbit Flash BIOS
- Watchdog Timer** Programmable 255 levels timer interval, from 1 to 255 sec
- Processor** Intel® Core™ i7-6822EQ 2.0GHz Quad Core, 8MB L2  
Intel® Core™ i5-6442EQ 1.9GHz Quad Core, 6MB L2  
Intel® Core™ i5-6440EQ 2.7GHz Quad Core, 6MB L2  
Intel® Core™ i3-6102E 1.9GHz Dual Core, 3MB L2
- System Chip** Intel QM170
- Memory** Built-in 8GB DDR4 2133 MHz, two sockets support up to 32GB (Optional ECC RAM with selected RAM module for UNO-3283G-634AE/ UNO-3285G-634AE)
- Graphics Engine** Intel HD Graphics
- Ethernet** LAN A: Intel® i210-IT GbE, IIEEE802.1AS, 802.3az  
LAN B: Intel® i219-LM GbE, Intel® AMT, IEEE802.1AS, 802.3az LEDs for Power, LAN, COM (Tx/Rx), battery and HDD
- LED Indicators** One mSATA slot; One CFast slot
- Storage** Two built-in 2.5" SATA HDD brackets with support for RAID 0/1. (Compatible with 9.5mm height HDD)
- Expansion** UNO-3283G: 2 Full-size mPCIe, 1 x PCIe x16, 1 x PCI (Optional by project: 2 x PCIe x8 or 2 x PCI)  
UNO-3285G: 2 Full-size mPCIe 2 x PCIe x8, 2 x PCI (Optional by project: 4 x PCI)

#### I/O Interfaces

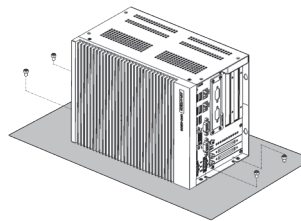
- Serial Ports** 2 x RS-232/422/485 with DB9 connectors  
RS-485 auto flow control, 50-115.2kbps, 2 x RS-232 (optional pin header)
- LAN Ports** 2 x RJ45, 10/100/1000 Mbps IEEE 802.3u 1000BASE-T Fast Ethernet
- USB Ports** 6 x USB 3.0 Ports
- Displays** 1 x DVI-I, supports 1920 x 1080 @ 60Hz 24bpp  
1 x HDMI 1.4a, supports 1920 x 1080 @ 60Hz 24bpp
- Audio** Mic-in, Line-In, Line-Out (Pin Header)
- Power Connector** 2 x 3 Pin, terminal Block to support dual power input and relay output

#### Environment

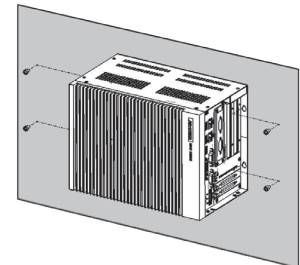
- Operating Temperature** -20 ~ 60°C (-4 ~ 140°F) with 0.7m/s airflow environment  
0-50°C (32 ~ 122°F) for UNO-3283G-6541AE
- Storage Temperature** -40 ~ 85°C (-40 ~ 185°F)
- Relative Humidity** 10 ~ 95% RH, non-condensing
- Shock Protection** Operating, IEC 60068-2-27, 50G, half sine, 11ms (SSD)
- Vibration Protection** Operating, IEC 60068-2-64, 4Grms, random, 5 ~ 500Hz, 1hr/axis (SSD); 1.5Grms, random, 5 ~ 500Hz, 1hr/axis (HDD)

### Installation Scenario

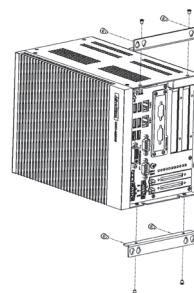
#### Stand mount



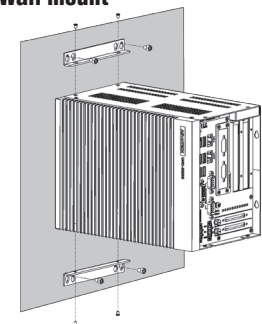
#### Wall mount



#### Enclosure Mount



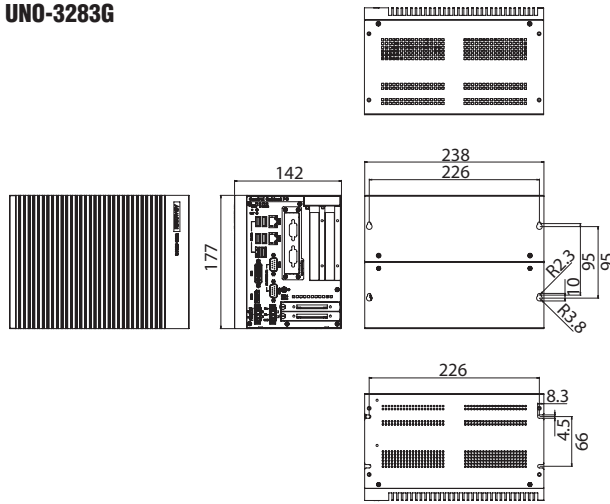
#### Wall mount



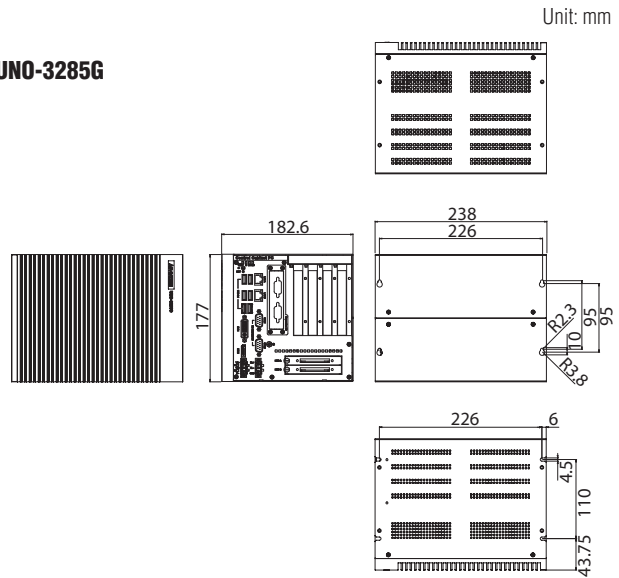
\*Mounting kit included in default package

## Dimensions

UNO-3283G

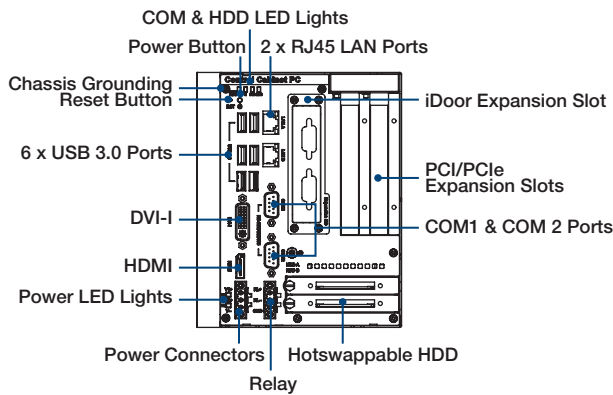


UNO-3285G



Unit: mm

## I/O View



## Ordering Information

- UNO-3283G-674AE Intel Core™ i7-6822EQ 2.0GHz, 8GB, 2 x LAN, 1 x PCIe x16, 1 x PCI, 2 x Full-size mPCIe
- UNO-3283G-654AE Intel Core™ i5-6442EQ 1.9GHz, 8GB, 2 x LAN, 1 x PCIe x16, 1 x PCI, 2 x Full-size mPCIe
- UNO-3283G-6541AE UNO-3283G w/ i5-6440EQ, 1 x PCI, 1 x PCIe x16
- UNO-3283G-634AE Intel Core™ i3-6102E 1.9GHz, 8GB, 2 x LAN, 1 x PCIe x16, 1 x PCI, 2 x Full-size mPCIe
- UNO-3285G-674AE Intel Core™ i7-6822EQ 2.0GHz, 8GB, 2 x LAN, 2 x PCIe x8, 2 x PCI, 2 x Full-size mPCIe
- UNO-3285G-654AE Intel Core™ i5-6442EQ 1.9GHz, 8GB, 2 x LAN, 2 x PCIe x8, 2 x PCI, 2 x Full-size mPCIe
- UNO-3285G-634AE Intel Core™ i3-6102E 1.9GHz, 8GB, 2 x LAN, 2 x PCIe x8, 2 x PCI, 2 x Full-size mPCIe

## Optional Expansion Type

P/N	Support Model	Expansion Type
9893U20500E	UNO-3285G	4 x PCI slot
9893U20700E	UNO-3283G	2 x PCI slot
9893U20800E	UNO-3283G	2 x PCIe x8 slot

\* By project support

## iDoor Modules

- PCM-2300MR-AE MR4A16B, MRAM, 2 MByte, mPCIe
- PCM-24R2PE-AE Intel i350, GbE, PoE IEEE 802.3af, PD, RJ45 x 2
- PCM-24S2WF-BE 802.11 a/b/g/n/ac 2T2R w/BT4.1, Atheros QCA6174A
- PCM-26D2CA-AE SJA1000 CANbus, CANopen, DB9 x 1
- PCM-24D2R4-BE 2-Ports Isolated RS-422/485 mPCIe, DB9
- PCM-24D2R2-BE 2-Ports Isolated RS-232 mPCIe, DB9
- PCM-24D4R4-BE 4-Ports Non-Isolated RS-422/485 mPCIe, DB37
- PCM-24D4R2-BE 4-Ports Non-Isolated RS-232 mPCIe, DB37
- PCM-27D24DI-AE 24-Channels Isolated Digital I/O with counter mPCIe, DB37
- PCM-24R1TP-AE 1-Port Gigabit Ethernet, Intel® 82574L, mPCIe, RJ45

## Optional Accessories

- 96PSA-A150W24T2 150W AC to DC power adapter
- 1702002600 Power Cable US Plug 1.8 M
- 1702002605 Power Cable EU Plug 1.8 M
- 1702031801 Power Cable UK Plug 1.8 M
- 1700000596 Power Cable China/Australia Plug 1.8 M
- UNO-3283EM-AE Extra 2 x COM ports extension kit
- UNO-3283PR-AE Remote Power & Reset extension kit
- 1700004713 DVI-I to DVI-D & VGA Cable
- 1700029839-01 4-pin to 4-pin power cable for PCI/PCIe card. (5V&12V)
- 1700024858-01 2x2 pin to 2x2 pin power cable for PCI/PCIe card. (12V&12V)
- 9893UH04000 Trusted Platform Module 2.0 (support from BIOS v1.17)

## Embedded O/S

- 2070015316 Img WIN10ENT 2016LTSB V6.01B056 UNO-328xG (i7)
- 2070015317 Img WIN10ENT 2016LTSB V6.01B056 UNO-328xG (i5/i3)
- 20703WX9HS0002 Img W10 LTSC 2019 x64 V6.04 B021 UNO-328xG (i7)
- 20703WX9VS0002 Img W10 LTSC 2019 x64 V6.04 B021 UNO-328xG (i3/i5)
- 20703LLU1S0003 Image AdvLinuxTu V1.0.5 x86 for UNO-328xG
- 20703LLU1S0004 Image AdvLinuxTu V1.0.5 x64 for UNO-328xG
- 20703WE7PS0024 Img WS7P x86 MUI V4.19 B009 for UNO-328xG