

UNO-247

Intel® Celeron J3455 processor
IoT Edge Computer, with 2 x LAN,
6 x COM, 4 x USB, 1 x HDMI, 1 x VGA

NEW



Specifications

General

- **Certification** CE, FCC, UL, CCC, BSMI
- **Dimensions (W x D x H)** 200 x 140 x 50 mm (7.8" x 5.5" x 1.9")
- **Form Factor** Regular Size
- **Enclosure** Aluminum Housing
- **Mounting** Stand Mount, DIN-Rail (Optional)
- **Weight (Net)** 1.0kg (2.2lbs)
- **Power Requirement** 12V_{DC}
- **Power Consumption** 17W (Typical), 31W (Max)
- **OS Support** Windows 10, Advantech Linux

System Hardware

- **BIOS** AMI UEFI64 Mbit
- **Watchdog Timer** Programmable 255 levels timer interval, from 1 to 255 sec
- **Hardware Security** N/A (TPM2.0 Optional)
- **Processor** Intel® Celeron® J3455 1.5GHz
- **Memory** 1 x slot (DDR3L SO-DIMM support up to 8GB)
- **Graphics Engine** Intel HD Graphics
- **Ethernet** 10/100/1000 Mbps Realtek RTL8111G-CG
- **LED Indicators** LEDs for Power, and HDD
- **Storage** 1 x mSATA
1 x drive bay for SATA 2.5" HDD
(Compatible with 9.5mm height HDD)
- **Expansion** 1 x Full size mPCIe slot (PCIe/ USB Signal)
1 x M.2 (2230, E Key)
1 x Micro SIM card slot

I/O Interfaces

- **Serial Ports** 4 x RS232, 2 x RS485 DB9, 50 ~ 115.2kbps
- **LAN Ports** 2 x RJ45, 10/100/1000 Mbps IEEE 802.3u
1000BASE-T Fast Ethernet
- **USB Ports** 2 x USB 3.0, 2 x USB 2.0
- **Displays** 1 x HDMI 1.4b (3840x2160@30Hz)
1 x VGA (1920x1080@60Hz)
- **Power Connector** 1 x Lockable DC Jack

Features

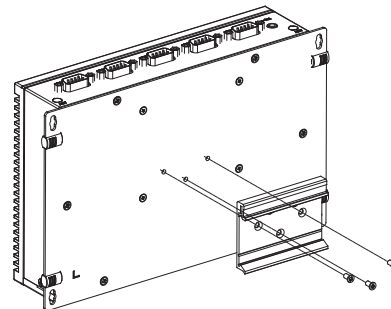
- Intel® Celeron® J3455 processor
- Robust design with high stability
- 2 x GbE, 2 x USB3.0, 2 x USB2.0, 4 x RS232, 2 x RS485, 1 x HDMI, 1 x VGA
- Compact size with fanless design
- Rubber stopper design for stand mount and optional kit for DIN-rail mount.
- Optional 3G/GPS/GPRS/Wi-Fi communication
- Threaded DC Jack design for more steady power supply
- Optimized mechanical design for easier RAM swapping

Environment

- **Operating Temperature** 0~50°C with 0.7m/s air flow
-20 ~ 60°C with 0.7m/s air flow (With extended temperature peripherals)
- **Storage Temperature** -40 ~ 85°C (-40 ~ 185°F)
- **Relative Humidity** 10 ~ 95% RH @ 40°C, non-condensing
- **Shock Protection** Operating, IEC 60068-2-27, 50G, half sine, 11ms
- **Vibration Protection** Operating, IEC 60068-2-64, 3Grms, random, 5 ~ 500Hz, 1hr/axis (mSATA)
Operating, IEC 60068-2-64, 0.5Grms, random, 5 ~ 500Hz, 1hr/axis (HDD)

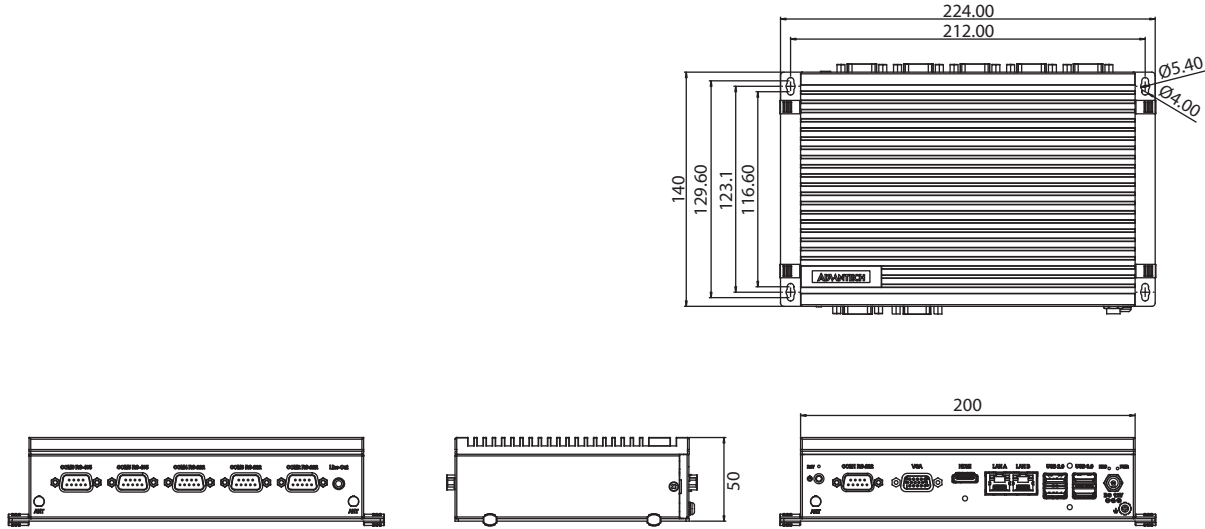
Installation Scenario

DIN-rail Mount Illustration (with optional DIN-rail kit)

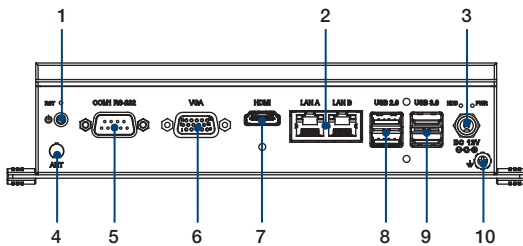


Dimensions

Unit: mm

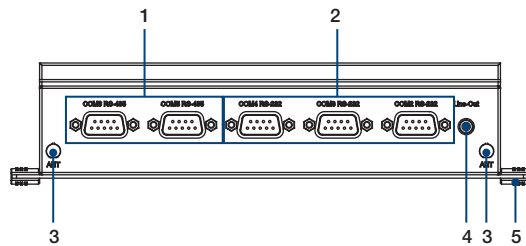


Front I/O View



- 1. Power Button
- 2. RJ45 LAN
- 3. DC Power
- 4. Reserved Antenna
- 5. RS-232
- 6. VGA
- 7. HDMI
- 8. USB2.0
- 9. USB3.0
- 10. Chassis Grounding

Front I/O View



- 1. RS-485
- 2. RS-232
- 3. Reserved Antenna
- 4. Line Out
- 5. Rubber Stopper

Ordering Information

- **UNO-247-J1N1AE** Intel Celeron J3455 1.5GHz, 2 x GbE, 4 x USB, 6 x COM, 1 x HDMI, 1 x VGA

Optional Memory List

	Temperature	Part Number
2G	0 ~ 85	AQD-SD3L2GN16-SQ1
	0 ~ 85	SQR-SD3N-2G1K6HNXC
	-40 ~ 85	SQR-SD3I-2G1K6SNLB
4G	0 ~ 85	AQD-SD3L4GN16-SG1
	-20 ~ 85	SQR-SD3M-4G1K6SNLB
	-40 ~ 85	SQR-SD3I-4G1K6SNLB
8G	0 ~ 85	AQD-SD3L8GN16-SG1
	-20 ~ 85	SQR-SD3M-8G1K6SNLB
	-40 ~ 85	SQR-SD3I-8G1K6SNLB

Packing list

Part Number	Description
96PSA-A36W12W7	ADP A/D 100-240V 36W 12V WO/PFC

Optional Accessories

- **1700001524** Power Cable 3-pin 1.8M, USA type
- **170203183C** Power Cable 3-pin 1.8M, Europe type
- **170203180A** Power Cable 3-pin, 1.8M, UK type
- **UNO-400-DMKAE** DIN Rail Kit

Embedded Image

- **TBD** WIN10 IoT Enterprise LTSC V6.04 B016