

MEDIUM GL66 SERIES STAINLESS STEEL WALL-MOUNT ENCLOSURES



INDUSTRY STANDARDS

Mounting brackets required to meet UL/CSA external mounting requirements.

UL 508A Listed; Type 3R, 4, 4X, 12; File No. E61997
 cUL Listed per CSA C22.2 No 94; Type 3R, 4, 4X, 12; File No. E61997

NEMA/EEMAC Type 3R, 4, 4X, 12, 13
 CSA File No. 42186: Type 4, 4X, 12
 VDE IP66
 IEC 60529, IP66

Meets NEMA Type 3RX requirements

APPLICATION

With streamlined styling and an attractive finish, these enclosures are an excellent option when style and function are key. Manufactured in Type 304 stainless steel, these enclosures are ideal for indoor or outdoor applications which require corrosion protection from chemicals and water. The enclosures contain an external body flange to prevent contaminants from entering the enclosure; a strong door with removable hinges; a conductive panel and quarter-turn latch with 3mm double-bit insert for a secure closure.

SPECIFICATIONS

- Dimensions in millimeters
- Manufactured from Type 304 14 and 16 gauge stainless steel; 16 gauge doors and 14 gauge bodies
- Minimum-width body flange provides maximum body opening
- Pre-cut gland plate openings in the bottom of the enclosure with a seal to ensure protection
- External formed 90 degree body flange
- Three-point latching on enclosures 1000 mm and taller
- Door opens 210 degrees
- Mounting holes in back of body for direct mounting or for optional external mounting brackets
- Type 316 stainless steel hinge pins
- Corner-formed doors are easily removed by pulling clip-style hinge pins
- Quarter-turn latches furnished with 3mm double-bit insert
- Seamless foam-in-place gasket
- Self-grounding latch system with double seal
- Grounding stud on the body
- Full-sized galvanized steel back panel included
- Bonding provision on the door
- Furnished hardware kit includes: gasketed gland plates and hardware, grounding hardware and sealing washers for wall-mounting holes
- Installation instructions

FINISH

Door and body have smooth #3 brushed finish.

ACCESSORIES

- Door Stop Kit
- Hinge Pins
- Door Bars
- H2OMIT Thermoelectric Dehumidifier

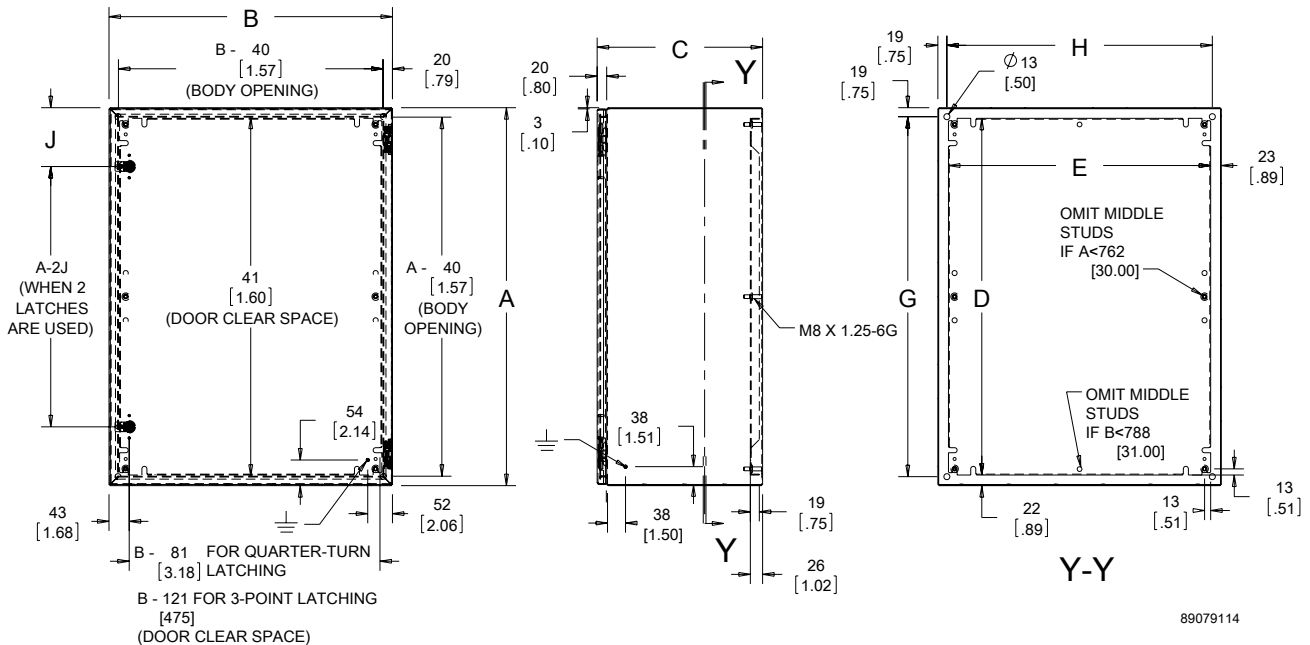
MODIFICATION AND CUSTOMIZATION

nVent HOFFMAN excels at modifying and customizing products to your specifications. Contact your local nVent HOFFMAN sales office or distributor for complete information.

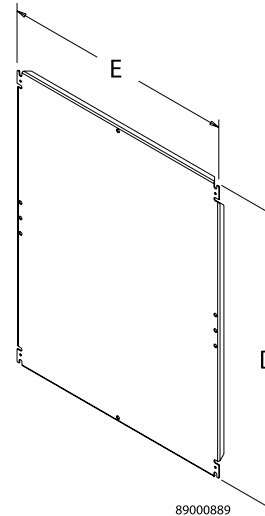
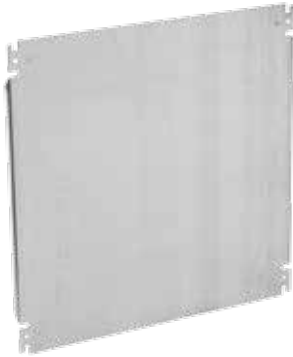
BULLETIN: GL66MS

Standard Product

Catalog Number	AxBxC mm/in.	Body Thickness	Body Thickness (gauge)	Door Thickness	Door Thickness (gauge)	Gland Plate Qty.	D x E mm/in.	G x H mm/in.	J mm/in.	P x Q mm/in.
M300200150SS	300 x 200 x 150 11.81 x 7.87 x 5.91	1.5 mm	16	1.5 mm	16	0	255 x 155 10.04 x 6.10	262 x 162 10.04 x 6.10	100 3.94	— —
M300300210GSS	300 x 300 x 210 11.81 x 11.81 x 8.27	1.5 mm	16	1.5 mm	16	1	255 x 255 10.04 x 10.04	262 x 262 10.31 x 10.31	150 5.91	180 x 90 7.09 x 3.54
M300400210GSS	300 x 400 x 210 11.81 x 15.75 x 8.27	1.5 mm	16	1.5 mm	16	1	255 x 355 10.04 x 13.98	262 x 362 10.31 x 14.25	150 5.91	280 x 90 11.02 x 3.54
M400300210GSS	400 x 300 x 210 15.75 x 11.81 x 8.27	1.5 mm	16	1.5 mm	16	1	355 x 255 13.98 x 10.04	362 x 262 14.25 x 10.31	200 7.87	180 x 90 7.09 x 3.54
M400400210GSS	400 x 400 x 210 15.75 x 15.75 x 8.27	1.5 mm	16	1.5 mm	16	1	355 x 255 13.98 x 10.04	362 x 262 14.25 x 10.31	200 7.87	280 x 90 11.02 x 3.54
M500400210GSS	500 x 400 x 210 19.69 x 15.75 x 8.27	1.5 mm	16	1.5 mm	16	1	455 x 355 17.91 x 13.98	462 x 362 18.19 x 14.25	250 9.84	280 x 90 11.02 x 3.54
M500500210GSS	500 x 500 x 210 19.69 x 19.69 x 8.27	1.5 mm	16	1.5 mm	16	1	455 x 455 17.91 x 17.91	462 x 462 18.19 x 18.19	250 9.84	280 x 90 11.02 x 3.54
M500500300GSS	500 x 500 x 300 19.69 x 19.69 x 11.81	1.5 mm	16	1.5 mm	16	1	455 x 455 17.91 x 17.91	462 x 462 18.19 x 18.19	250 9.84	280 x 150 11.02 x 5.91
M600400210GSS	600 x 400 x 210 23.62 x 15.75 x 8.27	1.5 mm	16	1.5 mm	16	1	555 x 355 21.85 x 13.98	562 x 362 22.13 x 14.25	300 11.81	280 x 90 11.02 x 3.54
M600400350GSS	600 x 400 x 350 23.62 x 15.75 x 13.78	1.5 mm	16	1.5 mm	16	1	555 x 355 21.85 x 13.98	562 x 362 22.13 x 14.25	125 4.92	280 x 150 11.02 x 5.91
M600600210GSS	600 x 600 x 210 23.62 x 23.62 x 8.27	1.5 mm	16	1.5 mm	16	2	555 x 555 21.85 x 21.85	562 x 562 22.13 x 22.13	125 4.92	180 x 90 7.09 x 3.54
M600600350GSS	600 x 600 x 350 23.62 x 23.62 x 13.78	1.5 mm	16	1.5 mm	16	2	555 x 555 21.85 x 21.85	562 x 562 22.13 x 22.13	125 4.92	180 x 150 7.09 x 5.91
M700500250GSS	700 x 500 x 250 27.56 x 19.69 x 9.84	1.5 mm	16	1.5 mm	16	1	655 x 455 25.79 x 17.91	662 x 462 26.06 x 18.19	125 4.92	280 x 90 11.02 x 3.54
M800600250GSS	800 x 600 x 250 31.50 x 23.62 x 9.84	2.0 mm	14	2.0 mm	14	2	755 x 555 29.72 x 21.85	762 x 562 30.00 x 22.13	125 4.92	180 x 90 7.09 x 3.54
M800600350GSS	800 x 600 x 350 31.50 x 23.62 x 13.78	2.0 mm	14	2.0 mm	14	2	755 x 555 29.72 x 21.85	762 x 562 30.00 x 22.13	125 4.92	180 x 150 7.09 x 5.91
M800800210GSS	800 x 800 x 210 31.50 x 31.50 x 8.27	2.0 mm	14	2.0 mm	14	2	755 x 755 29.72 x 29.72	762 x 762 30.00 x 30.00	125 4.92	280 x 90 11.02 x 3.54
M800800300GSS	800 x 800 x 300 31.50 x 31.50 x 11.81	2.0 mm	14	2.0 mm	14	2	755 x 755 29.72 x 29.72	762 x 762 30.00 x 30.00	125 4.92	180 x 150 7.09 x 5.91
M1000800300GSS	1000 x 800 x 300 39.37 x 31.50 x 11.81	2.0 mm	14	2.0 mm	14	2	955 x 755 37.60 x 29.72	962 x 762 37.87 x 30.00	500 19.68	180 x 150 7.09 x 5.91
M1200800300GSS	1200 x 800 x 300 47.24 x 31.50 x 11.81	2.0 mm	14	2.0 mm	14	2	1155 x 755 45.47 x 29.72	1162 x 762 45.75 x 30.00	600 23.62	180 x 150 7.09 x 5.91



89079114



Galvanized steel full-size panels. See table for thickness.

BULLETIN: A4GY

Catalog Number	D x E mm/in.	Thickness mm/in.	Thickness (Gauge)	Fits A x B mm/in.
G300P200	255 x 155 10.04 x 6.10	1.5	16	300 x 200 11.81 x 7.87
G300P300	255 x 255 10.04 x 10.04	1.5	16	300 x 300 11.81 x 11.81
G400P300	355 x 255 13.98 x 10.04	1.5	16	400 x 300 or 300 x 400 15.75 x 11.81 or 11.81 x 15.75
G400P400	355 x 355 13.98 x 13.98	1.5	16	400 x 400 15.75 x 15.75
G500P400	455 x 355 17.91 x 13.98	1.5	16	500 x 400 19.68 x 15.75
G600P400	555 x 355 21.85 x 13.98	1.5	16	600 x 400 or 400 x 600 23.62 x 15.75 or 15.75 x 23.62
G500P500	455 x 455 17.91 x 17.91	1.5	16	500 x 500 19.68 x 19.68
G700P500	655 x 455 25.79 x 17.91	2.0	14	700 x 500 27.56 x 19.68
G600P600	555 x 555 21.85 x 21.85	2.0	14	600 x 600 23.62 x 23.62
G800P600	755 x 555 29.72 x 21.85	2.0	14	800 x 600 or 600 x 800 31.50 x 23.62 or 23.62 x 31.50
G1000P600	955 x 555 37.60 x 21.85	2.5	12	1000 x 600 39.37 x 23.62
G800P800	755 x 755 29.72 x 29.72	2.5	12	800 x 800 31.50 x 31.50
G1000P800	955 x 755 37.60 x 29.72	2.5	12	1000 x 800 39.37 x 31.50
G1200P800	1155 x 755 45.47 x 29.72	2.5	12	1200 x 800 47.24 x 31.50
G800P1000	755 x 955 29.72 x 37.60	2.5	12	800 x 1000 32.50 x 39.37
G1000P1000	955 x 955 37.60 x 37.60	2.5	12	1000 x 1000 39.37 x 39.37
G1200P1000	1155 x 955 45.47 x 37.60	2.5	12	1200 x 1000 47.24 x 39.37
G1400P1000	1355 x 955 53.35 x 37.60	2.5	12	1400 x 1000 55.12 x 39.37

DOOR BARS



Non-metallic door bar includes pressure-sensitive tape adhesive.

BULLETIN: CWY

Catalog Number	Description	Length	Qty.
ADB305MM	Door Bar	8 in. (203 mm)	4

DATA POCKETS



Provides a convenient place to store wiring diagrams, operation manuals and other documentation inside the enclosure. Adhesive-backed pockets mount inside the solid enclosure cover. Mounting hardware included. Thermoplastic pockets are black and have cutaway areas for easy inspection of contents.

BULLETIN: A80DP

Catalog Number	Length x Width mm/in.	Fits Enclosure
ADP1	152 x 152 6.00 x 6.00	when A is less than or equal to 610 and B is less than or equal to 610
ADP2	305 x 305 12.00 x 12.00	when A is less than or equal to 762 and B is less than or equal to 508

Use ADP2 when A = 610 and B = 762

MOUNTING-BRACKET KIT



Mounting-Bracket Kits are field-installable. Stainless steel brackets are rated to Type 4X. Set of four (4) brackets can support 500 lb. maximum load. All hardware is included. Four brackets per kit. *Mounting brackets are required to maintain UL/CSA external mounting requirement.*

BULLETIN: A80

Catalog Number	Description
CMFKSS	Stainless Steel

DOOR STOP KIT



Designed for use on most standard Hoffman Type 4 and 12 enclosures to secure the door in the open position. Enclosures must

have a "B" dimension of 16.00 in. (406 mm) or more and a door which opens horizontally. Door Stop Kit can be mounted at the top or bottom of the door opening after drilling two small holes in the body of the enclosure and two small holes in the door. The angle of the door is easily adjusted by means of a wingnut, and the stop arm slides neatly out of the way when the door is closed. All parts are plated. Maintains UL/CSA Type 4 and Type 12 if properly installed in a Hoffman enclosure.

BULLETIN: A80

Catalog Number	Description
ADSTOPK	Door Stop Kit

HINGE PINS



Easy-to-remove and replace hinge pins facilitate door removal or reversing.

BULLETIN: A4GY

Catalog Number	Description	Pkg. Qty.
GHPINSS	Stainless Steel	2