

# MLC

## 1.8" SATA III SSD

### HERMES-JI Series

(JEDEC MO-297A)

**Document No.** : 100-xB8SJ-JJITMB

**Version No.** : 02V0

**Date** : June, 2019



ISO 9001 : 2015 CERTIFIED



### Product Features

#### ■ Flash IC

- TOSHIBA 15nm NAND Flash IC.
- Multi-Level Cell (MLC) management

#### ■ Compatibility

- Compliant with SATA Revision 3.1
- SATA 1.5Gbps/3.0Gbps/6.0Gbps data transfer rate.
- ATA-8 command set

#### ■ Additional Capabilities

- S.M.A.R.T.\*<sup>1</sup> (Self-Monitoring, Analysis and Reporting Technology) feature set support.
- Thermal Monitor for SSD's temperature.
- Native Command Queuing (NCQ) support.
- TRIM maintenance command support.
- Static wear-leveling algorithm

#### ■ Mechanical

- 1.8" form factor compatible with JEDEC Standard MO-297A physical specification
- SATA 7-pin (data) + 15-pin (power connector) SATA Interface
- Dimension: 39.0 mm x 54.0 mm.
- Weight: 15.0 g / 0.53 oz.

#### ■ Power Operating Voltage 5V(+/-) 5%

- Read Mode: 306.0 mA (max.)
- Write Mode: 280.0 mA (max.)
- Idle Mode: 151.0 mA (max.)

#### ■ Performance (Maximum value) \*<sup>2</sup>

- Sequential Read: 420.0 MB/sec. (max.)
- Sequential Write: 140.0 MB/sec. (max.)

#### ■ Capacity

- 4GB, 8GB, 16GB, 32GB, 64GB, 128GB and 256GB

#### ■ Reliability

- **TBW:** Up to 75 TBW at 256GB Capacity.  
(Client workload by JESD-219A)
- **ECC:** Automatic 40 bits per 1024 bytes error correction (ECC) and retry capabilities.
- **Temperature:** (Operating)  
Standard Grade: 0°C ~ +70°C  
Wide Temp. Grade: -40°C ~ +85°C
- **Vibration:** 70 Hz to 2K Hz, 20G, 3 axes
- **Shock:** 0.5ms, 1500 G, 3 axes

#### ■ Certifications and Declarations

- **Certifications:** CE & FCC
- **Declarations:** RoHS & REACH

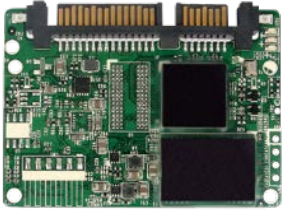
#### Remarks:

1. Support official S.M.A.R.T. Utility.
2. Sequential performance is based on CrystalDiskMark 5.1.2 with file size 1000MB

### Order Information

#### I. Part Number List

##### ◆ APRO MLC Slim Lite SATA III SSD HERMES-JI Series

Product Picture	Capacity	Standard grade (0°C ~ 70°C)	Wide Temp Grade ( -40°C ~ +85°C )
	4GB	SB8SJ004G-JJCTMB-(T)	WB8SJ004G-JJCTMB-(T)C
	8GB	SB8SJ008G-JJCTMB-(T)	WB8SJ008G-JJCTMB-(T)C
	16GB	SB8SJ016G-JJCTMB-(T)	WB8SJ016G-JJCTMB-(T)C
	32GB	SB8SJ032G-JJCTMB-(T)	WB8SJ032G-JJCTMB-(T)C
	64GB	SB8SJ064G-JICTMB-(T)	WB8SJ064G-JICTMB-(T)C
	128GB	SB8SJ128G-JICTMB-(T)	WB8SJ128G-JICTMB-(T)C
	256GB	SB8SJ256G-JICTMB-(T)	WB8SJ256G-JICTMB-(T)C

➤ **HERMES-J Series: 4GB ~ 32GB / HERMES-I Series: 64GB~256GB**

➤ **C : Special conformal coating**

#### II. Part Number Decoder:

**X1 X2 X3 X4 X5 X6 X7 X8 X9** — **X11 X12 X13 X14 X15 X16** — **X18 X19 X20**

**X1** : Grade

**S**: Standard Grade – operating temp. 0° C ~ 70 ° C

**W**: Wide Temp Grade- operating temp. -40° C ~ +85 ° C

**X2** : The material of case

**B** : Bare

**X3 X4 X5** : Product category

**8SJ** : 1.8" Slim Lite SATA SSD

**X6 X7 X8 X9** : Capacity

**004G:** 4GB      **064G:** 64GB

**008G:** 8GB      **128G:** 128GB

**016G:** 16GB      **256G:** 256GB

**032G:** 32GB

**X11** : Controller

**J** : HERMES Series

**X12** : Controller version

**A, B, C,....**

**X13** : Controller Grade

**C** : Commercial grade

**X14** : Flash IC

**T** : Toshiba MLC-NAND Flash IC

**X15** : Flash IC grade / Type

**M** : MLC-NAND Flash IC

**X16** : MLC Technology

**B** : Toshiba 15nm MLC

**X18 X19 X20** : Reserved for specific requirement

**Blank** : Standard product w/o thermal sensor and conformal-coating

**T** : Thermal Sensor (optional).

**C** : Conformal coating (optional)

### *Revision History*

Revision	Description	Date
1.0	Initial release	2016/5/16
1.1	Add the option for thermal sensor	2018/11/02
1.2	Updated Version	2018/11/28
2.0	Updated Document form	2019/06/13

## Contents

Product Features .....	- 2 -
Order Information .....	- 3 -
<b>I. Part Number List</b> .....	- 3 -
<b>II. Part Number Decoder:</b> .....	- 3 -
Revision History .....	- 4 -
Contents .....	- 5 -
<b>1. Introduction</b> .....	- 6 -
<b>1.1. Scope</b> .....	- 7 -
<b>1.2. Flash Management Technology - Static Wear Leveling</b> .....	- 7 -
<b>1.3. Bad Block Management</b> .....	- 7 -
<b>2. Product Specifications</b> .....	- 8 -
<b>2.1. System Environmental Specifications</b> .....	- 8 -
<b>2.2. System Power Requirements</b> .....	- 8 -
<b>2.3. System Performance</b> .....	- 9 -
<b>2.4. System Reliability</b> .....	- 9 -
<b>2.5. Physical Specifications</b> .....	- 9 -
<b>2.6. Conformal coating</b> .....	- 11 -
<b>3. Interface Description</b> .....	- 11 -
<b>3.1. 1.8" Slim Lite SATA III SSD HERMES-JI Series interface</b> .....	- 11 -
<b>3.2. Pin Assignments</b> .....	- 12 -
<b>Appendix A: Limited Warranty</b> .....	- 13 -

### 1. Introduction

APRO MLC 1.8" Slim Lite SATA III SSD HERMES-JI Series provides high capacity flash memory Solid State Drive (SSD) that electrically complies with Serial ATA 3.0 (SATA) standard. APRO MLC 1.8" Slim Lite SATA III SSD HERMES-JI Series support SATA 1.5Gbps/3.0Gbps/6.0Gbps data transfer rate with high performance. The main used flash memories are MLC-NAND type flash memory chips. The available disk capacities are 4GB, 8GB, 16GB, 32GB, 64GB, 128GB and 256GB

The operating temperature grade is optional for Standard grade 0°C ~ 70°C and wide temp grade with conformal coating supports -40°C ~ +85°C. The data transfer performance by sequential read is up to 420.0 MB/sec, and sequential write is up to 140.0 MB/sec.

APRO 1.8" Slim Lite SATA III MLC SSD products provide a high level interface to the host computer. This interface allows a host computer to issue commands to the APRO MLC 1.8" Slim Lite SATA III SSD HERMES-JI Series to read or write blocks of memory. Each sector is protected by a powerful 40 bits per 1024 bytes error correction (ECC). APRO MLC 1.8" Slim Lite SATA III SSD HERMES-JI Series intelligent controller manages interface protocols, data storage and retrieval as well as ECC, defect handling and diagnostics, power management and clock control.

Figure 1 shows a block diagram of the used high tech APRO MLC 1.8" Slim Lite SATA III SSD HERMES-JI Series.

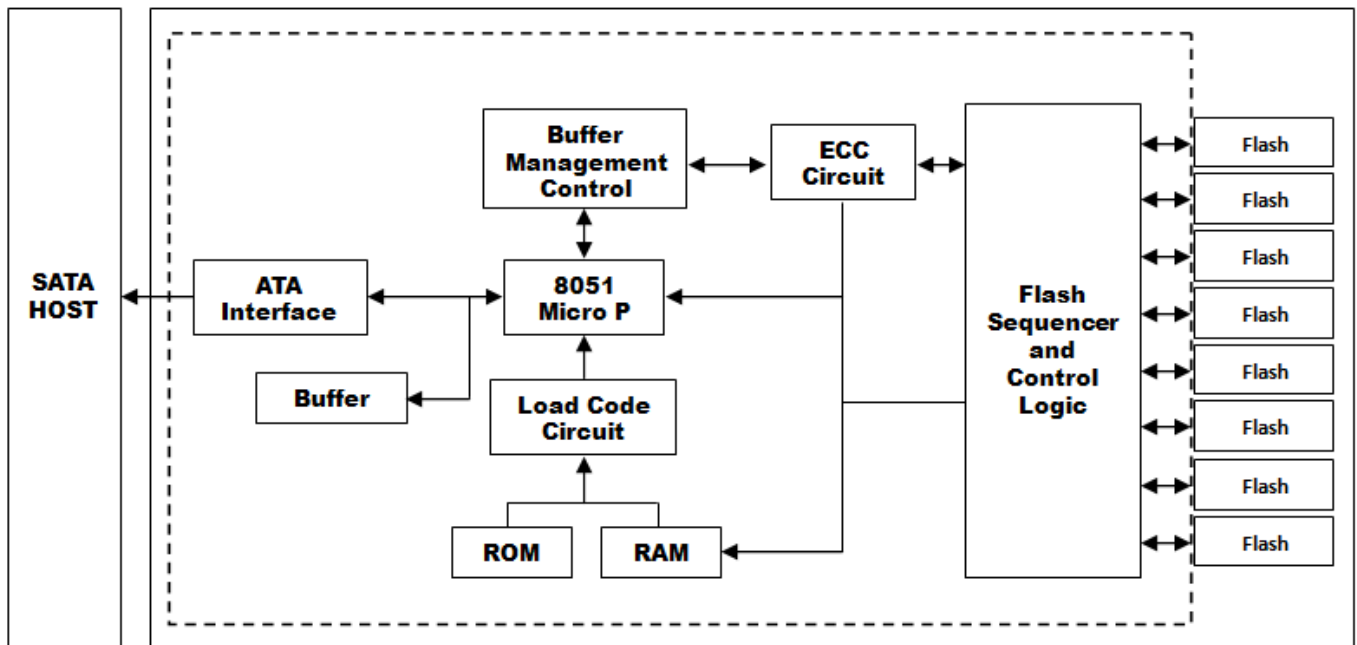


Figure 1: APRO MLC 1.8" Slim Lite SATA III SSD HERMES-JI Series block diagram

### 1.1. *Scope*

This document describes features, specifications and installation guide of APRO MLC 1.8" Slim Lite SATA III SSD HERMES-JI Series. In the appendix, there provides order information, warranty policy, RMA/DOA procedure for the most convenient reference.

### 1.2. *Flash Management Technology - Static Wear Leveling*

In order to gain the best management for flash memory, APRO MLC 1.8" Slim Lite SATA III SSD HERMES-JI Series supports Static Wear-leveling technology to manage the Flash system. The life of flash memory is limited; the management is to increase the life of the flash product.

A static wear-leveling algorithm evenly distributes data over an entire Flash cell array and searches for the least used physical blocks. The identified low cycled sectors are used to write the data to those locations. If blocks are empty, the write occurs normally. If blocks contain static data, it moves that data to a more heavily used location before it moves the newly written data. The static wear leveling maximizes effective endurance Flash array compared to no wear leveling or dynamic wear leveling.

### 1.3. *Bad Block Management*

#### ➤ **Early Bad Block**

The fault block generated during the manufacturing process of NAND Flash is called Early Bad Block.

#### ➤ **Later Bad Block**

In the process of use, as the number of operations of writing and erasing increases, a fault block is gradually generated, which is called a Later Bad Block.

**Bad block management** is a management mechanism for a bad block to be detected by the control IC and mark bad blocks in the NAND Flash and improve the reliability of data access. The bad block management mechanism of the control IC will establish a **Bad Block Table** when the NAND Flash is started for the first time, and will also record the errors found in the process of use in the bad block table, and data is ported to new valid blocks to avoid data loss.

In order to detect the initial bad blocks to handle run time bad blocks, APRO MLC 1.8" Slim Lite SATA III SSD HERMES-JI Series provides the **Bad Block Management** scheme. It remaps a bad block to one of the reserved blocks so that the data contained in one bad block is not lost and new data writes on a bad block is avoided.

### 2. Product Specifications

For all the following specifications, values are defined at ambient temperature and nominal supply voltage unless otherwise stated.

#### 2.1. System Environmental Specifications

Table 1: Environmental Specification

APRO MLC 1.8" Slim Lite SATA III SSD		Standard Grade	Wide Temp Grade
HERMES-JI Series		SB8SJxxxG-JJI CTMB	WB8SJxxxG-JJI CTMB-C
Temperature	Operating:	0°C ~ +70°C	-40°C ~ +85°C
	Non-operating:	-20°C ~ +80°C	-50°C ~ +95°C
Humidity	Operating & Non-operating:	10% ~ 95% non-condensing	
	Frequency/Acceleration:	70 Hz to 2K Hz, 20G, 3 axes	
Shock	Operating & Non-operating:	0.5ms, 1500 G, 3 axes	
Electrostatic Discharge (ESD)	Temperature:	24°C	
	Relative Humidity:	49% (RH)	
	+/-4KV:	Device functions are affected, but EUT will be back to its normal or operational state automatically.	

#### 2.2. System Power Requirements

Table 2: Power Requirement

APRO MLC 1.8" Slim Lite SATA III SSD HERMES-JI Series		
DC Input Voltage (VCC)		+5V±5%
Maximum average value	Reading Mode :	306.0 (max.)
	Writing Mode :	280.0 (max.)
	Idle Mode :	151.0 (max.)



### 2.3. System Performance

**Table 3: System Performances**

<b>Data Transfer Mode supporting</b>		Serial ATA Gen-III (6.0Gb/s = 768MB/s)						
<b>Average Access Time</b>		0.1 ms (estimated)						
<b>Maximum Performance</b>	<b>Capacity</b>	<b>4GB</b>	<b>8GB</b>	<b>16GB</b>	<b>32GB</b>	<b>64GB</b>	<b>128GB</b>	<b>256GB</b>
	<b>Sequential Read (MB/s)</b>	70.0	100.0	100.0	200.0	370.0	400.0	420.0
	<b>Sequential Write(MB/s)</b>	16.0	20.0	20.0	40.0	80.0	140.0	140.0

Note: The performance was measured using CrystalDiskMark by file size 1000MB (QD32).

### 2.4. System Reliability

**Table 4: System Reliability**

<b>Wear-leveling Algorithms</b>	Static wear-leveling algorithms
<b>Bad Blocks Management</b>	Supportive
<b>ECC Technology</b>	40 bits per 1024 bytes
<b>Thermal Sensor</b>	Supportive
<b>Erase counts</b>	NAND MLC Flash Cell Level : 3K P/E Cycles
<b>Capacity</b>	<b>TBW(TB)</b>
<b>4GB</b>	1.15
<b>8GB</b>	2.3
<b>16GB</b>	4.7
<b>32GB</b>	9.4
<b>64GB</b>	18.8
<b>128GB</b>	37.5
<b>256GB</b>	75.0

Note:

- Client workload by JESD-219A.
- The endurance of SSD could be varying based on user behavior, NAND endurance cycles, and write amplification factor. It is not guaranteed by flash vendor.

### 2.5. Physical Specifications

Refer to Table 5 and see Figure 2 for APRO MLC 1.8" Slim Lite SATA III SSD HERMES-JI Series physical specifications and dimensions.

**Table 5: Physical Specifications of APRO MLC 1.8" Slim Lite SATA III SSD HERMES-JI Series**

<b>Length:</b>	39.00 mm
<b>Width:</b>	54.00 mm
<b>Weight:</b>	15.0 g / 0.53 oz.

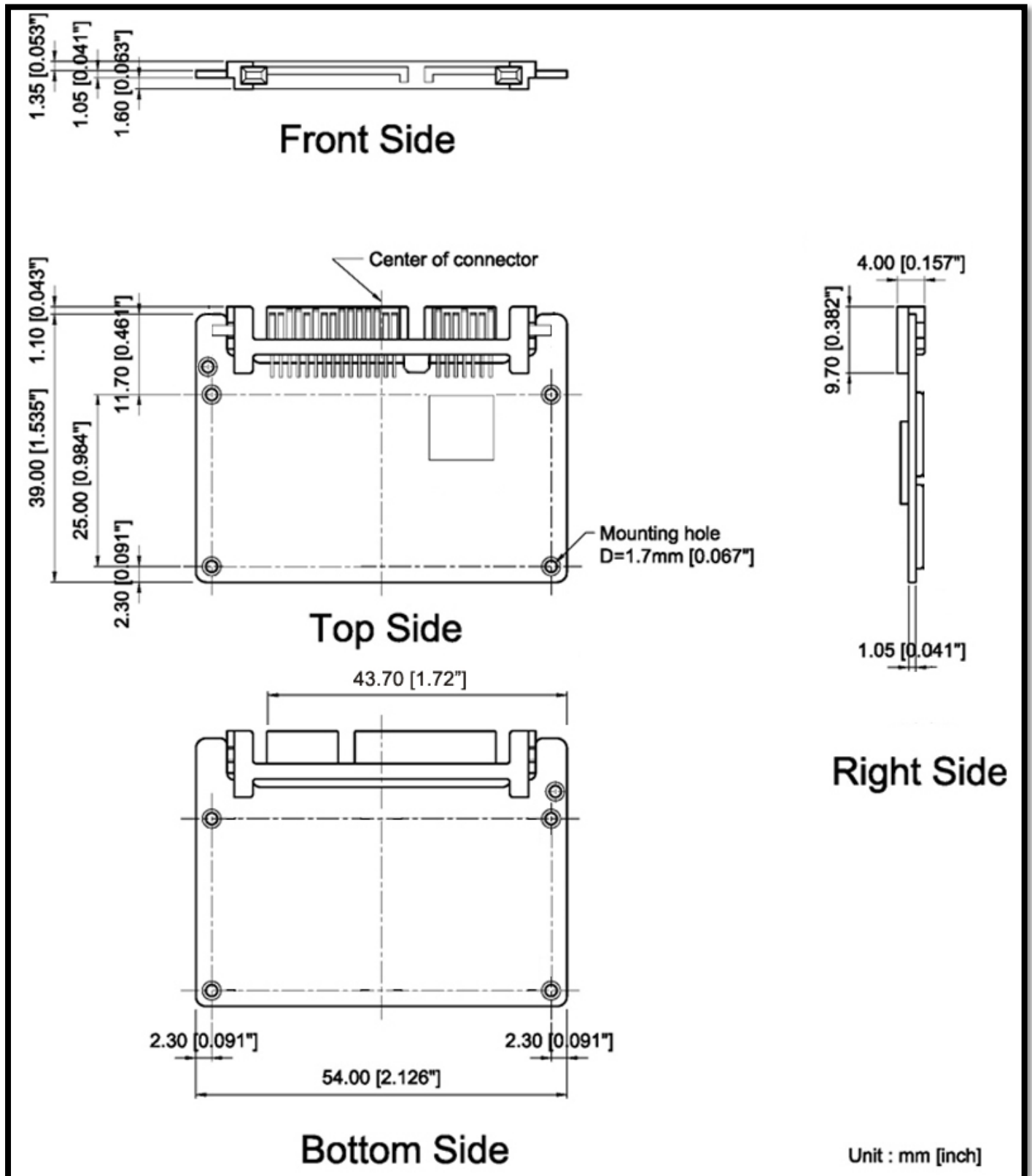


Figure 2: APRO MLC 1.8" Slim Lite SATA III SSD HERMES-JI Series Dimension

### 2.6. Conformal coating

Conformal coating is a protective, dielectric coating designed to conform to the surface of an assembled printed circuit board. Commonly used conformal coatings include silicone, acrylic, urethane and epoxy. APRO applies only silicone on APRO storage products upon requested especially by customers. The type of silicone coating features good thermal shock resistance due to flexibility. It is also easy to apply and repair.

Conformal coating offers protection of circuitry from moisture, fungus, dust and corrosion caused by extreme environments. It also prevents damage from those Flash storages handling during construction, installation and use, and reduces mechanical stress on components and protects from thermal shock. The greatest advantage of conformal coating is to allow greater component density due to increased dielectric strength between conductors.

APRO use MIL-I-46058C silicon conformal coating

## 3. Interface Description

### 3.1. 1.8" Slim Lite SATA III SSD HERMES-JI Series interface

APRO MLC 1.8" Slim Lite SATA III SSD HERMES-JI Series is equipped with standard 7 pins + 15 pins Serial ATA connector.

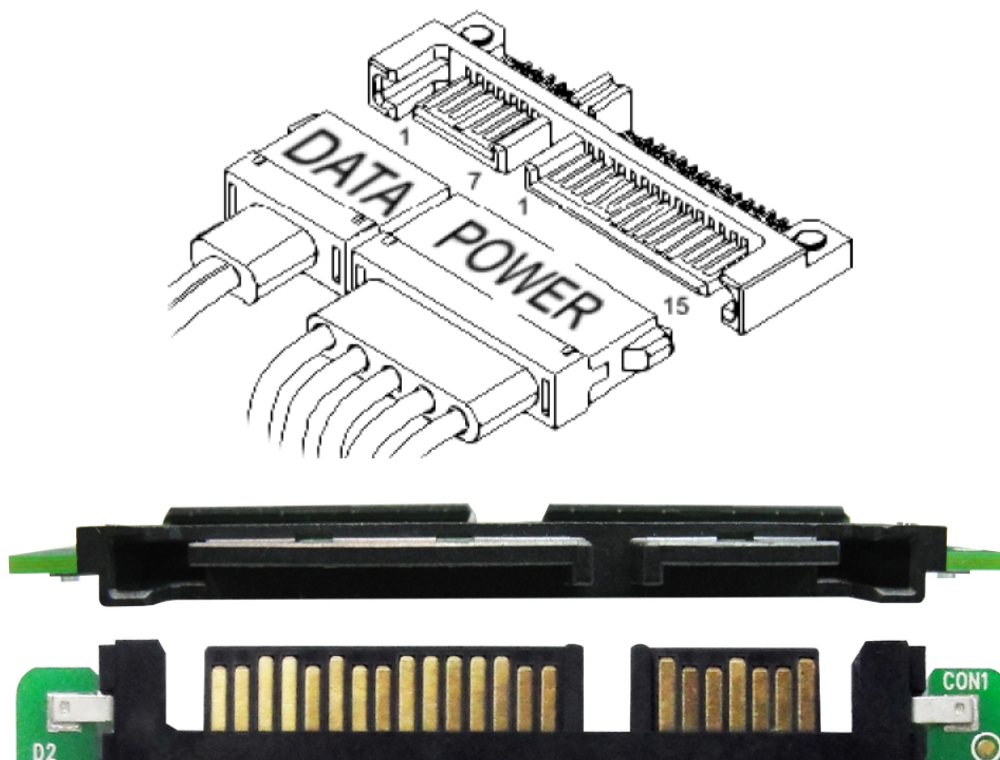


Figure 3: The connectors of APRO MLC 1.8" Slim Lite SATA III SSD HERMES-JI Series

### 3.2. Pin Assignments

APRO MLC 1.8" Slim Lite SATA III SSD HERMES-JI Series operates with standard SATA pin-out.

The pin assignments are listed in below table 6.

Name	Type	Description
S1	GND	NA
S2	A+	Differential Signal Pair A
S3	A-	
S4	GND	NA
S5	B-	Differential Signal Pair B
S6	B+	
S7	GND	NA
<b>Key and Spacing separate signal and power segments</b>		
P1	NC	NA
P2	NC	NA
P3	DEVSLP	NA
P4	GND	NA
P5	GND	NA
P6	GND	NA
P7	5V	5V Power, Pre-Charge
P8	5V	5V Power
P9	5V	5V Power
P10	GND	NA
P11	Reserved	Device Activity Signal / Disable Staggered Spin up
P12	GND	NA
P13	Not Used (12V pre-charge)	NA
P14	Not Used (12V)	NA
P15	Not Used (12V)	NA

**Table 7 - Pin Assignments**

### **Appendix A: Limited Warranty**

APRO warrants your MLC 1.8" Slim Lite SATA III SSD HERMES-JI Series against defects in material and workmanship for the life of the drive. The warranty is void in the case of misuse, accident, alteration, improper installation, misapplication or the result of unauthorized service or repair. The implied warranties of merchantability and fitness for a particular purpose, and all other warranties, expressed or implied, except as set forth in this warranty, shall not apply to the products delivered. In no event shall APRO be liable for any lost profits, lost savings or other incidental or consequential damages arising out of the use of, or inability to use, this product.

**BEFORE RETURNING PRODUCT, A RETURN MATERIAL AUTHORIZATION (RMA) MUST BE OBTAINED FROM APRO.**

Product shall be returned to APRO with shipping prepaid. If the product fails to conform based on customers' purchasing orders, APRO will reimburse customers for the transportation charges incurred.

#### **WARRANTY PERIOD:**

- **MLC ( Standard grade / Wide temp. grade )    2 years / Within 3K Erasing Counts**

This document is for information use only and is **subject to change without prior notice**. APRO Co., Ltd. assumes no responsibility for any errors that may appear in this document, nor for incidental or consequential damages resulting from the furnishing, performance or use of this material. No part of this document may be reproduced, transmitted, transcribed, stored in a retrievable manner or translated into any language or computer language, in any form or by any means, electronic, mechanical, magnetic, optical, chemical, manual or otherwise, without the prior written consent of an officer of APRO Co., Ltd.

All parts of the APRO documentation are protected by copyright law and all rights are reserved.

APRO and the APRO logo are registered trademarks of APRO Co., Ltd.

Product names mentioned herein are for identification purposes only and may be trademarks and/or registered trademarks of their respective companies.

© 2017 APRO Corporation. All rights reserved